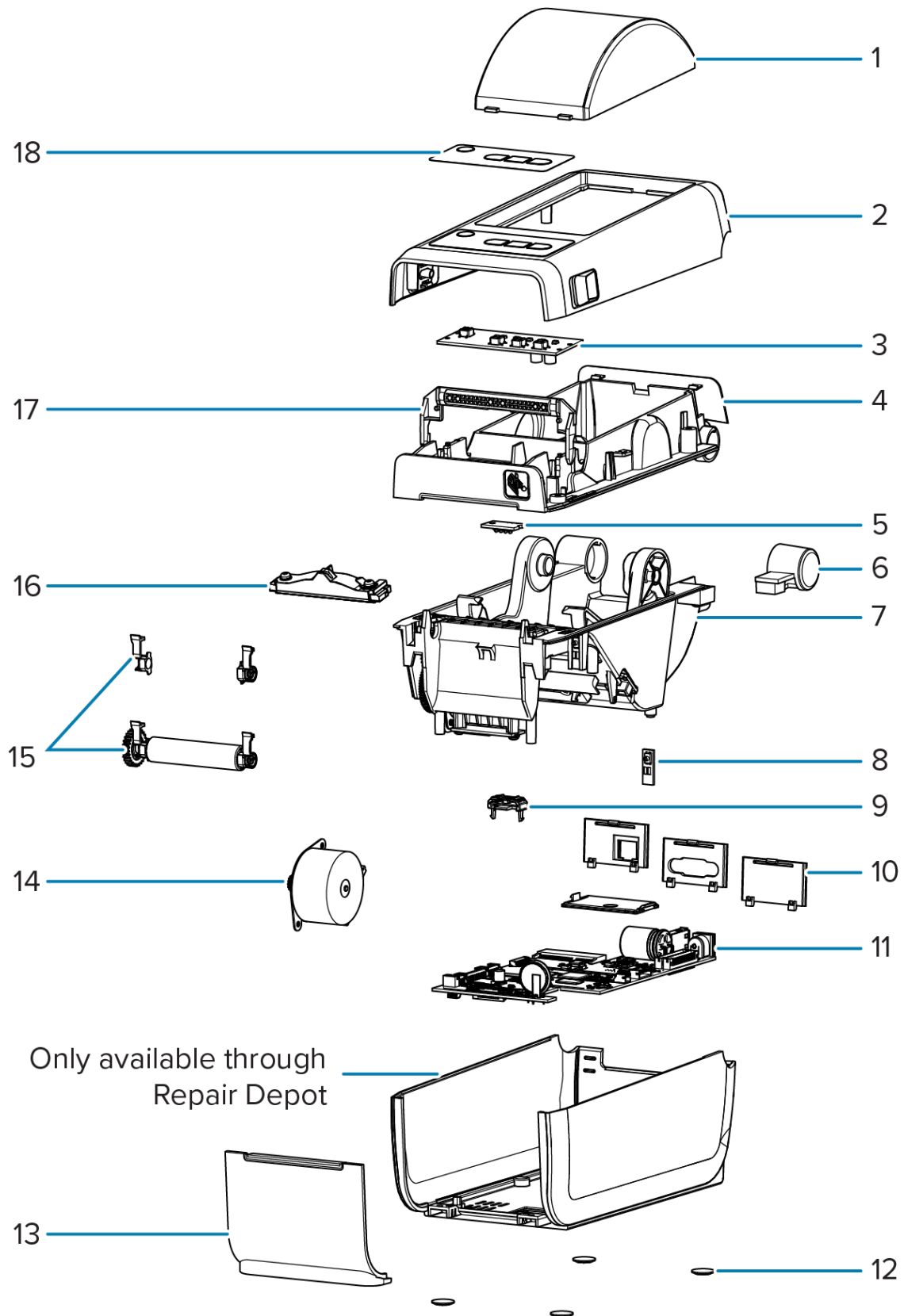


**Spare Parts List
Desktop Printers**

ZD411 Direct Thermal (203 & 300 DPI)



Spare Parts List Desktop Printers

ZD411 Direct Thermal (203 & 300 DPI)

Item	Description	Part Number
1	Media Window	P1079903-002
2	Cover Assembly (includes Media Window), for Standard Models Cover Assembly (includes Media Window), for Health Care Models	P1117258-002 P1117258-003
3	Control Panel	P1112640-004
4	Inner Lid w/o Printhead	P1117258-004
5	Upper Gap Sensor	P1112640-009
6	Cover Hinge	P1079903-016
7	Print Mechanism, 203 DPI Print Mechanism, 300 DPI	P1117258-006 P1117258-007
8	Head Up Sensor	P1112640-058
9	Blackline Sensor	P1117258-008
10	Rear Bezel, Serial, Ethernet, Wi-Fi Door, Standard (includes 1 of ea.)	P1112640-025
11	Main Logic Board, USB, USB Host, Bluetooth, Modular Connectivity Slot	P1117258-013
12	Rubber Foot (set of 4)	P1080383-021
13	Front Bezel, Standard	P1117258-010
14	Motor Assembly, 203dpi Motor Assembly, 300dpi	P1117258-011 P1117258-009
15	Platen Roller Bearings for the Platen Roller Left & Right (set of 10 ea.)	P1079903-003 P1079903-014
16	Printhead, 203dpi Printhead, 300dpi	P1117258-036 P1117258-037
17	Latch Assembly	P1117258-005
18	Nameplate	P1117258-001
Not Shown	Cutter 2"	P1117258-031
	Dispenser, Front Bezel	P1117258-030
	Ethernet Module	P1112640-015
	Serial Module	P1112640-016
	Wireless Module for USA and Canada 802.11ac Wi-Fi	P1112640-017A
	Wireless Module for Japan 802.11ac Wi-Fi	P1112640-017B
	Wireless Module for All Countries Except USA, Canada and Japan 802.11ac Wi-Fi	P1112640-017C
	Base Housing for Battery (When upgrading to battery power functionality, also order the P1080383-603 battery)	P1080383-602
	Battery for Desktop Printers (When upgrading to battery power functionality, also order the P1080383-602 battery housing)	P1080383-603
	Adapter bracket that enables mounting a ZD411D in the same location as an existing LP2824 Plus is currently mounted. Allows usage of the LP2824 Plus mounting hole pattern.	P1079903-037
	Shipping Pack - Packaging for shipping the printer	P1079903-024
	Power Supply, 50W, 24V with US Cord and EU cord, for Standard Models	P1117258-012
	Power Supply, 75W, 24V with US Cord, for Health Care Models	P1079903-030
	Power Cord, US, 120V IEC320C13 (set of 5)	105950-014
	Power Cord, EU, 220V, IEC320C13 (set of 5)	105950-015
	Power Cord, UK, 220V, IEC320C13 (set of 5)	105950-030
	Power Cord, Australia, 250V, IEC320C13 (set of 5)	105950-029
	Power Cord, China, 220V, IEC320C13 (set of 5)	105950-078
	Power Cord, Japan, 125V, IEC320C13 (set of 5)	105950-079
	Power Cord, Argentina, 220V, IEC320C13 (set of 5)	105950-080
	Power Cord, Brazil, 10A NBR 14136 (set of 5)	P1033401
	Power Cord, Israel, 10A, IEC320C13 (set of 5)	P1061022-020
Power Cord, India, 10A, IS 1293, C13 (set of 5)	P1080829	
Power Cord, Taiwan, 125V, IEC320C13 (set of 5)	P1079903-035	