

Migrating from TTP 7000/80 to TTP2000

Table of Contents

Introduction.....	2
TTP7000 Physical Dimensions & Mounting.....	2
TTP2000 Physical Dimensions and Mounting.....	4
Measurement Summary.....	5

Migrating from TTP 7000/80 to TTP2000

Introduction

When migrating from one Zebra Embedded/Kiosk printer to another, it is important to note the physical differences between the models. Though printers may look similar and have similar functions, there are differences in printer footprint, size, and mounting. This document illustrates the differences between the TTP7000 80mm width series and the TTP2000 series printers.

To use this document, note which printer width and roll holder you are currently using. Note the differences in such things as paper entrance height, paper exit height, mounting hole locations, and paper roll holder dimensions.

If, after reading this document, you have any questions about migrating to a new printer, please contact Zebra US Technical Support at www.zebra.com/technicalsupport

TTP7000 Physical Dimensions & Mounting

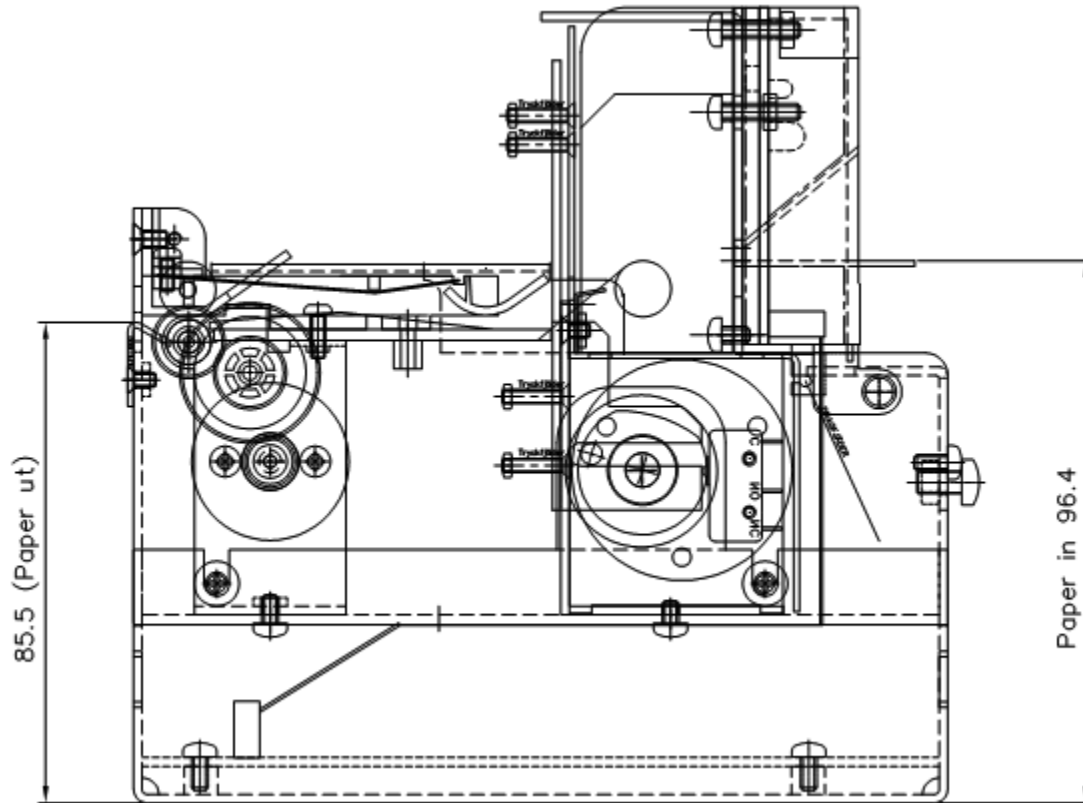


Figure 1. Paper input / output locations, side view. All measurements are in millimeters and apply to all TTP7000 series models.

**Migrating from
TTP 7000/80 to TTP2000**

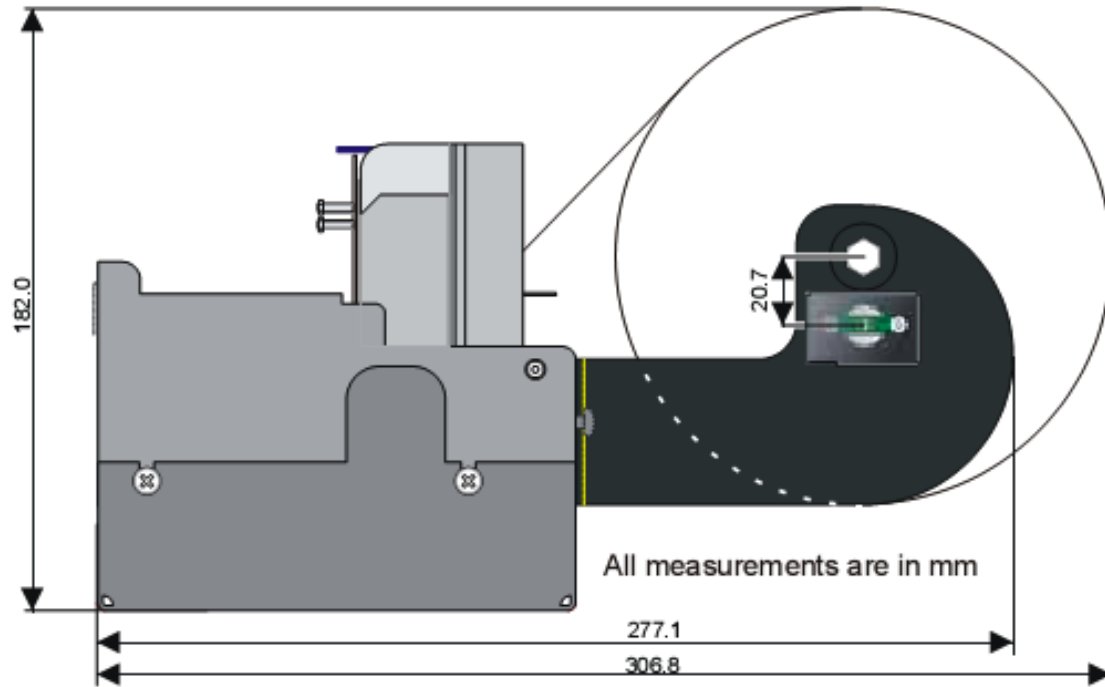
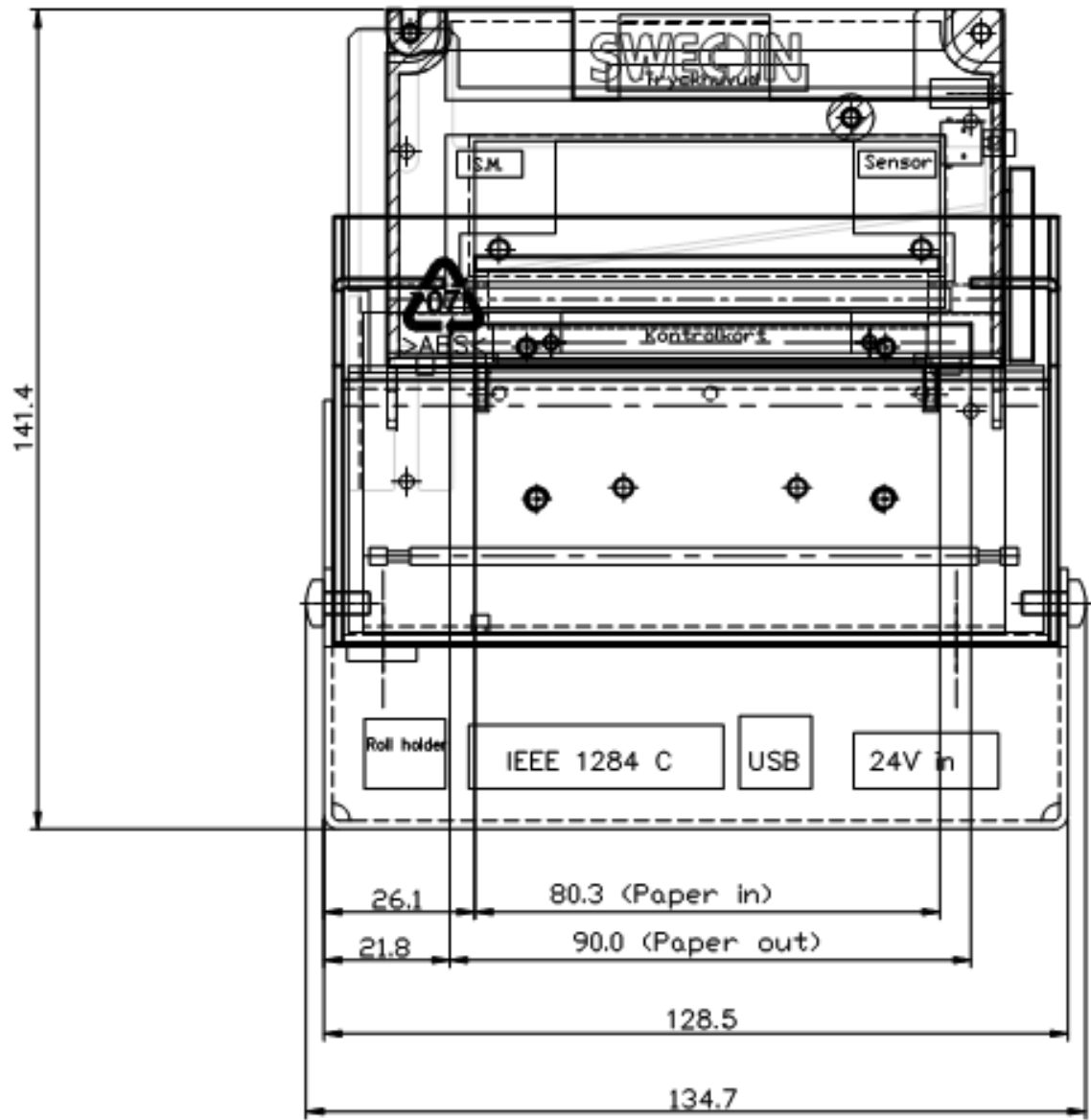


Figure 2. TTP7000 series, side view, with 150mm roll holder behind.



TTP 7000/80 to TTP2000

TTP2000 Physical Dimensions and Mounting

Use M3 screws for fastening printer
Max length = 4 mm inside printer

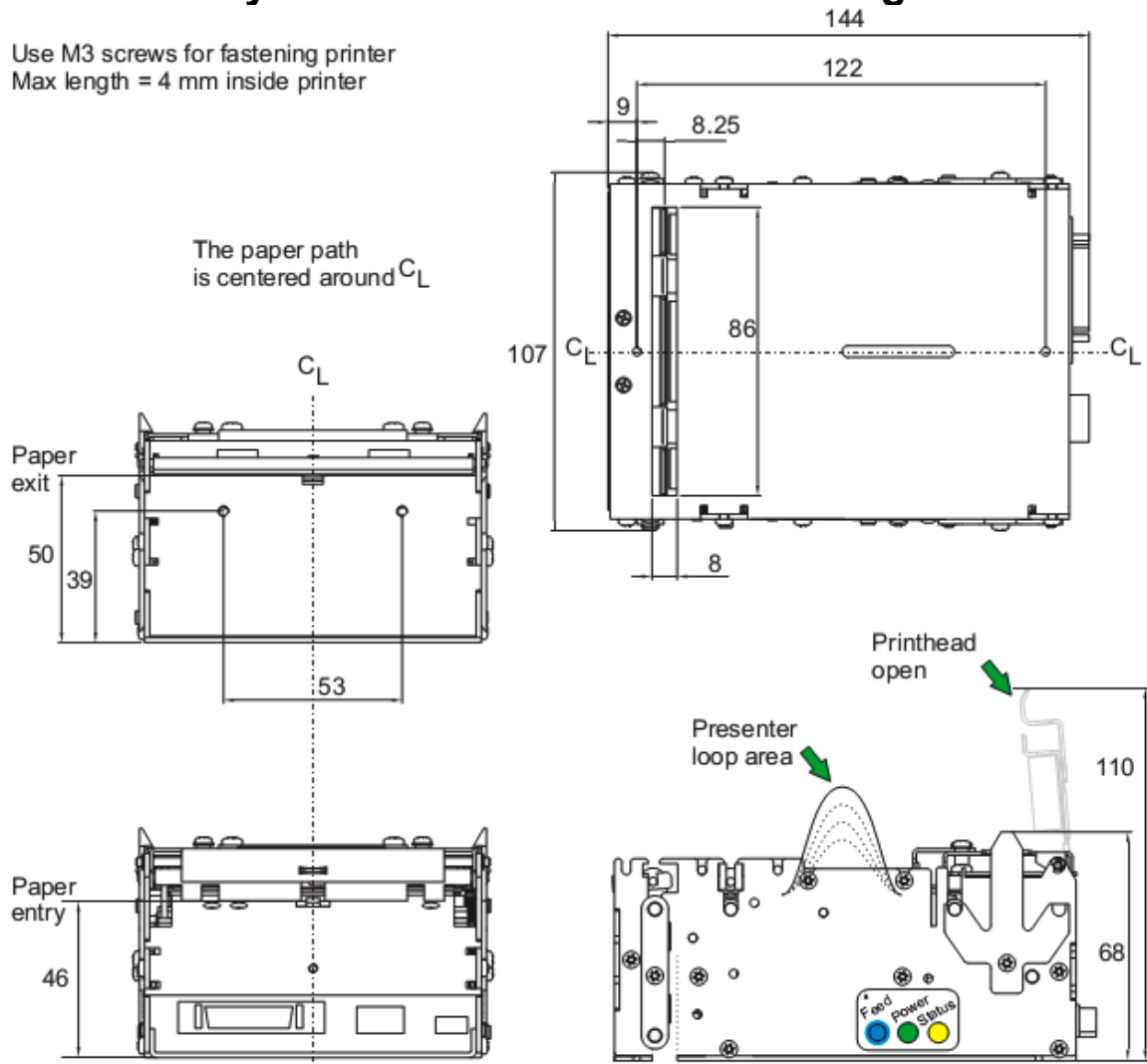


Figure 4. TTP2000 measurements. Clockwise: Front view, bottom view, side view, rear view.

**Migrating from
TTP 7000/80 to TTP2000**

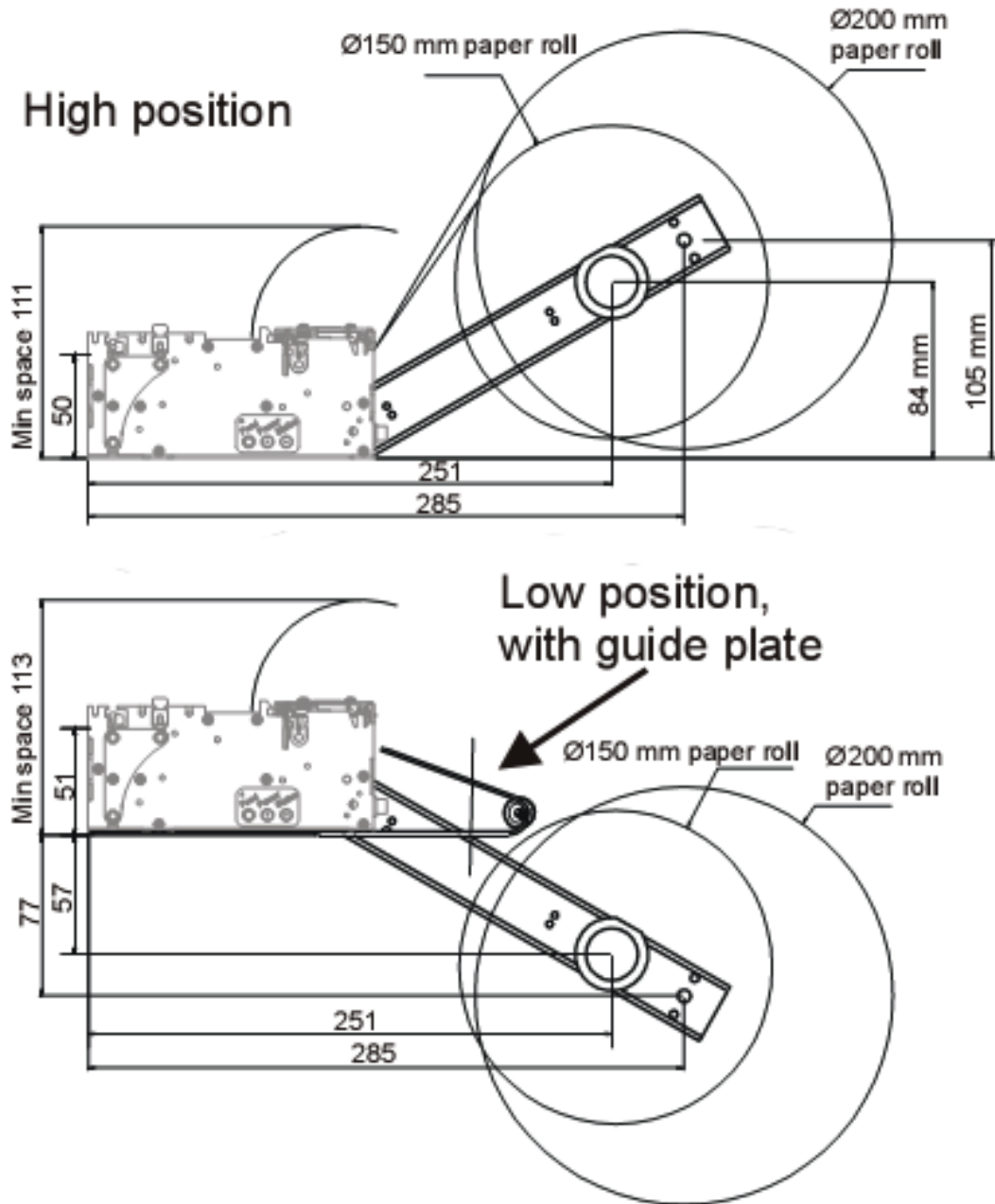


Figure 5, TTP2000 with roll holder in behind position. All measurements are in millimeters.

Measurement Summary

See diagrams for mounting locations

Measurements of printer (in millimeters)

TTP7000

TTP2000

Length [with Ø150mm paper loaded]

144.8 [306.8]

144 [326]

Height (Printhead open) [with Ø150mm paper] 141 [182]

141 (NA) [182]

68 (110) [159]

Width

134.7

107

Paper Entrance

96.4

46

Paper Exit

85.5

50