

ENTERPRISE WEARABLE SOLUTION

# WS301

## Quick Start Guide

MN-005589-02EN Rev. A

---



Zebra Technologies | 3 Overlook Point | Lincolnshire, IL 60069 USA  
[zebra.com](http://zebra.com)

2026/04/22

The Zebra wordmark and logo are trademarks of Zebra Technologies Corp., registered in many jurisdictions worldwide. All other trademarks are the property of their respective owners. ©2026 Zebra Technologies Corp. and/or its affiliates.

Information in this document is subject to change without notice. The software described in this document is furnished under a license agreement or nondisclosure agreement. The software may be used or copied only in accordance with the terms of those agreements.

For further information regarding legal and proprietary statements, please go to:

SOFTWARE: [zebra.com/informationpolicy](https://zebra.com/informationpolicy).

COPYRIGHTS: [zebra.com/copyright](https://zebra.com/copyright).

PATENTS: [ip.zebra.com](https://ip.zebra.com).

WARRANTY: [zebra.com/warranty](https://zebra.com/warranty).

END USER LICENSE AGREEMENT: [zebra.com/eula](https://zebra.com/eula).

## Terms of Use

### Proprietary Statement

This manual contains proprietary information of Zebra Technologies Corporation and its subsidiaries ("Zebra Technologies"). It is intended solely for the information and use of parties operating and maintaining the equipment described herein. Such proprietary information may not be used, reproduced, or disclosed to any other parties for any other purpose without the express, written permission of Zebra Technologies.

### Product Improvements

Continuous improvement of products is a policy of Zebra Technologies. All specifications and designs are subject to change without notice.

### Liability Disclaimer

Zebra Technologies takes steps to ensure that its published Engineering specifications and manuals are correct; however, errors do occur. Zebra Technologies reserves the right to correct any such errors and disclaims liability resulting therefrom.

### Limitation of Liability

In no event shall Zebra Technologies or anyone else involved in the creation, production, or delivery of the accompanying product (including hardware and software) be liable for any damages whatsoever (including, without limitation, consequential damages including loss of business profits, business interruption, or loss of business information) arising out of the use of, the results of use of, or inability to use such product, even if Zebra Technologies has been advised of the possibility of such damages. Some jurisdictions do not allow the exclusion or limitation of incidental or consequential damages, so the above limitation or exclusion may not apply to you.

## Model Number

This guide applies to model number: WS3012

## Unpacking the Device

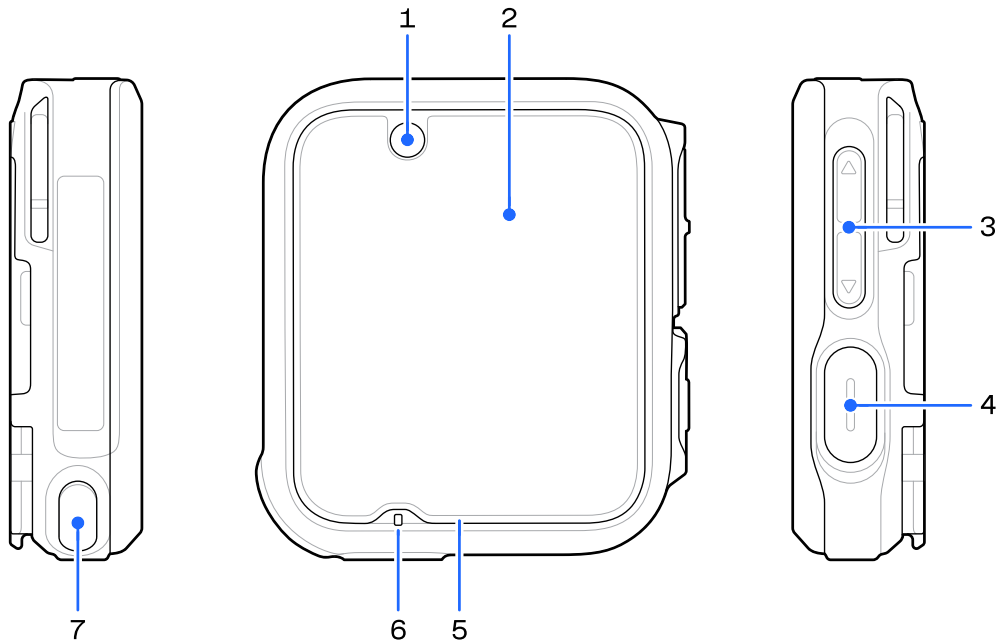
This topic provides instructions to safely unpack your device.

1. Carefully remove the device from the box.
2. Verify that the following items are in the box:
  - WS301
  - 750 mAh battery
  - Mounting options: clip mount or wrist mount
  - Regulatory Guide
3. Inspect the equipment for damage. If any equipment is missing or damaged, contact Zebra Support immediately.
4. Before using the device for the first time, remove the protective shipping films that cover the scan window, display, and camera window.

## Device Features

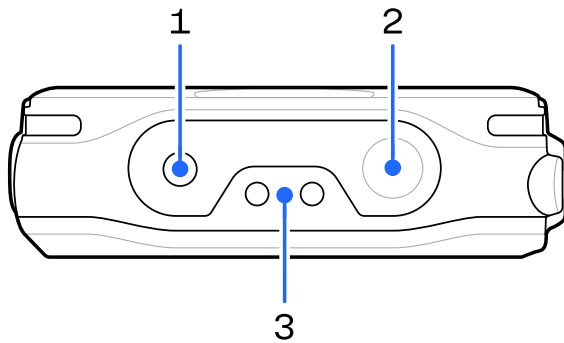
This section lists and describes the features of the device.

**Figure 1** Front View and Side View



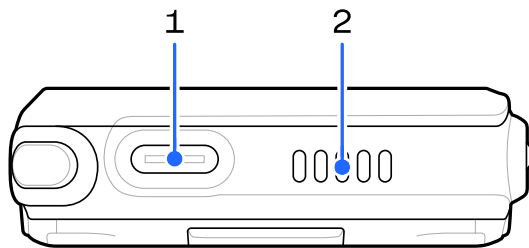
| Number | Item                         | Description  |
|--------|------------------------------|--|
| 1      | 5 MP Front camera            | Takes photos and videos.   |
| 2      | Display                      | Displays all information needed to operate the device.   |
| 3      | Volume buttons               | Adjusts the audio levels.  |
| 4      | Multi-function button        | By default, this is a scan button when the device is removed from the clip mount, and is a PTT button when the device is placed in the clip mount. |
| 5      | Charging LED                 | Indicates the battery charge state while charging.   |
| 6      | Bottom microphone            | Voice communication or audio recordings.   |
| 7      | Duress button (programmable) | User-programmable to trigger specific functions.   |

Figure 2 Top View



| Number | Item           | Description                                |
|--------|----------------|--|
| 1      | Top microphone | Voice communication or audio recordings.   |
| 2      | 13 MP camera   | Scans barcodes, takes photos, and videos.  |
| 3      | Charging pins  | Connects to a cradle to charge the device. |

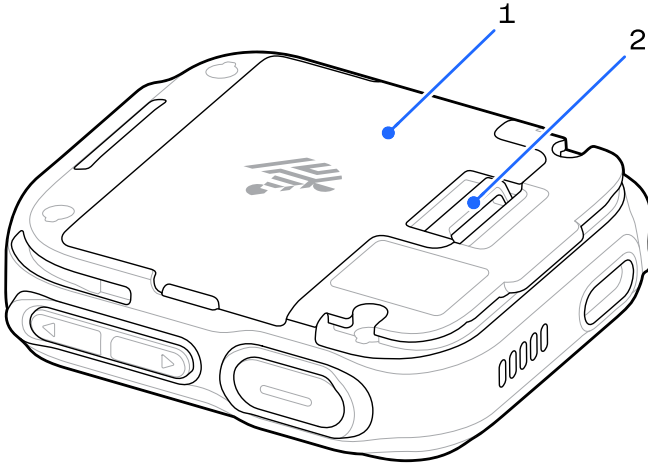
Figure 3 Bottom View



| Number | Item     | Description   |
|--------|----------|---|
| 1      | USB port | Used for charging the device, data transfer, or connecting to the Clip Mount. |

| Number | Item    | Description                            |
|--------|---------|--|
| 2      | Speaker | Voice communication or audio playback. |

Figure 4 Rear View



| Number | Item          | Description   |
|--------|---------------|---|
| 1      | Battery       | Powers the device.  |
| 2      | Battery latch | Locks the battery pack in place and allows safe insertion and removal of the battery. |

## Setting Up the Device

This section explains how to set up your device for a smooth and quick start.

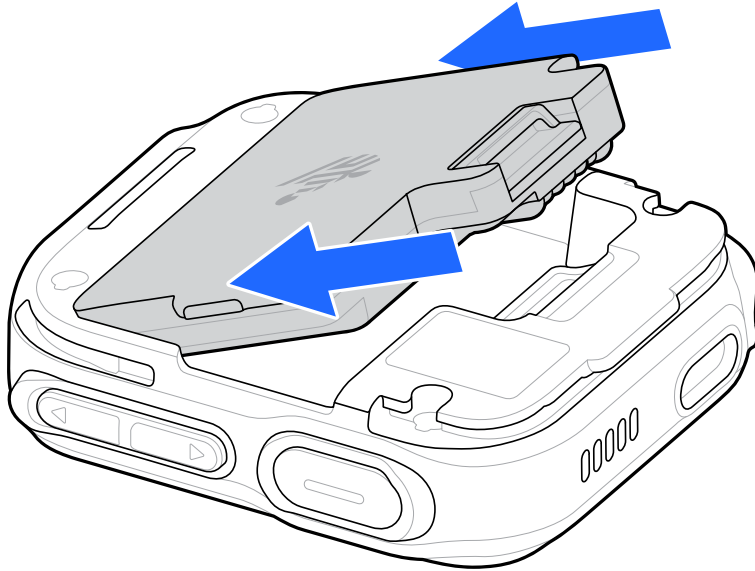
1. Install the battery.
2. Charge the device using one of the charging accessories.
3. Power on the device.

Press and hold the Multi-function button for more than two seconds.

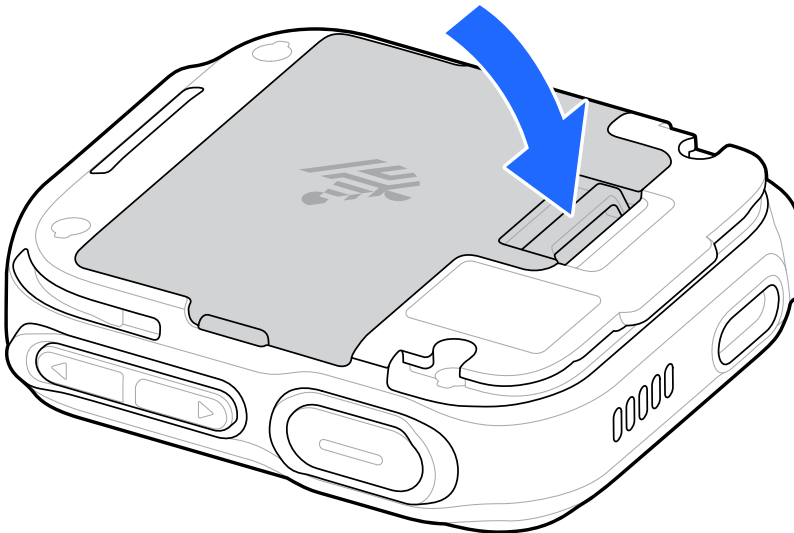
### Installing the Battery

Install the 750 mAh battery to the device.

1. Align the battery so that the battery bottom engages the locking slots.



2. Press the battery latch and push the battery down into the battery compartment.

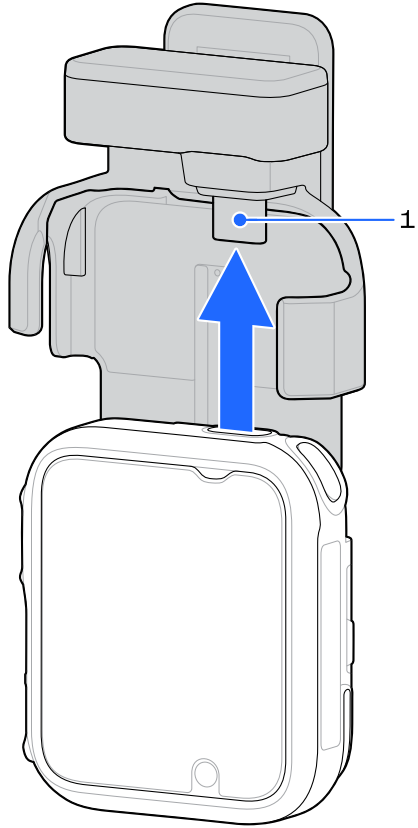


The latch clicks into place.

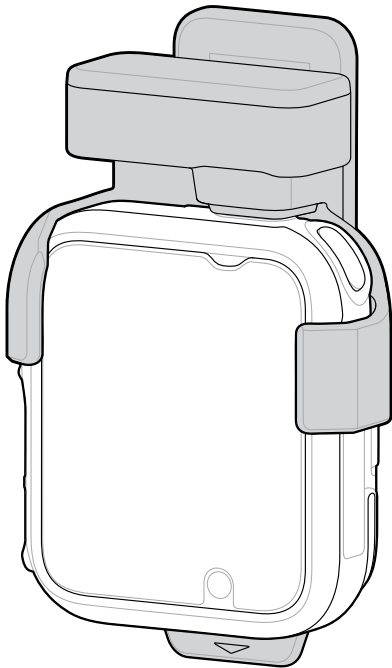
### Installing the Device into the Clip Mount

The clip mount lets the operator wear the device on a belt, shirt pocket, or lapel. Install the device onto the clip mount after the battery is charged.

1. Slide the device into the clip mount until the USB-C connector (1) is inserted into the USB-C port.



2. Snap the device into place.



## Connecting the Zebra Headset with the Clip Mount

This section describes how to use the headset with the device.

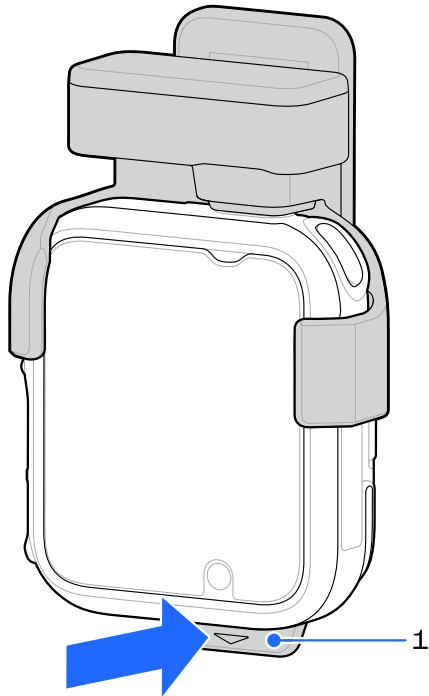
If you are using a Zebra headset with the clip mount:

1. Install the device into the clip mount.
2. Locate the 3.5mm audio port on the device.
3. Align the 3.5mm plug at the end of the headset's cable to the audio port.
4. Gently push the plug into the port until it is securely connected. You may hear a soft click.
5. Use the headset's volume control buttons to adjust it to the maximum level.

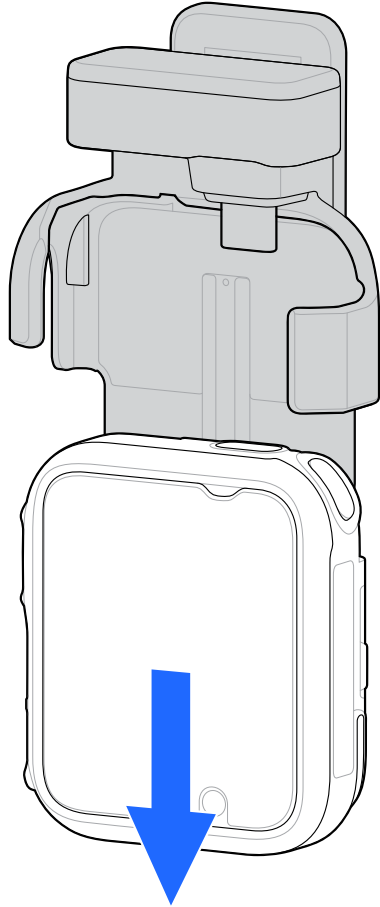
## Removing the Device from the Clip Mount

This section describes how to remove the device from the clip mount.

1. Press the arrow (1) below the device on the clip mount.



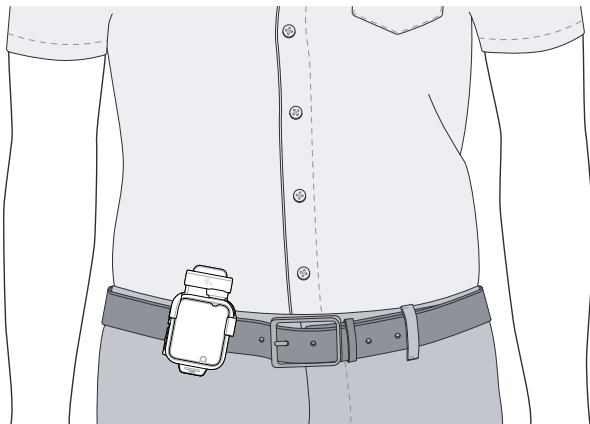
2. Slide the device out.



## Wearing the Device

The WS301 can be worn on a belt, apron, or vest.

**Figure 5** Device Worn on a Belt



**Figure 6** Device Worn on an Apron or Vest



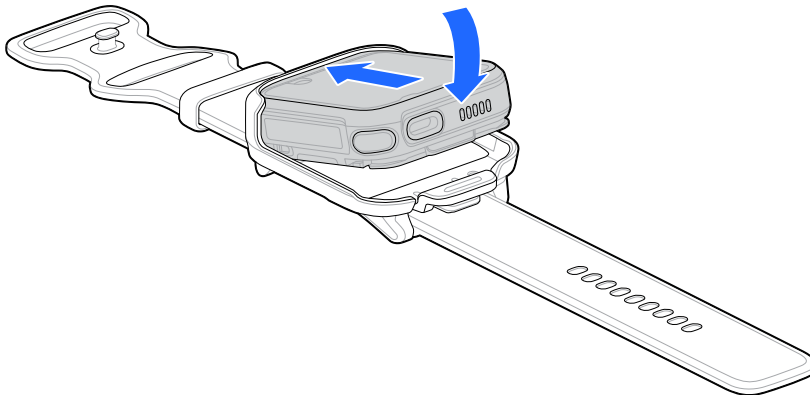
## Installing the Device into the Wrist Mount

The wrist mount allows you to wear the device on the wrist.



**NOTE:** Charge and install the battery before placing the device into the wrist mount.

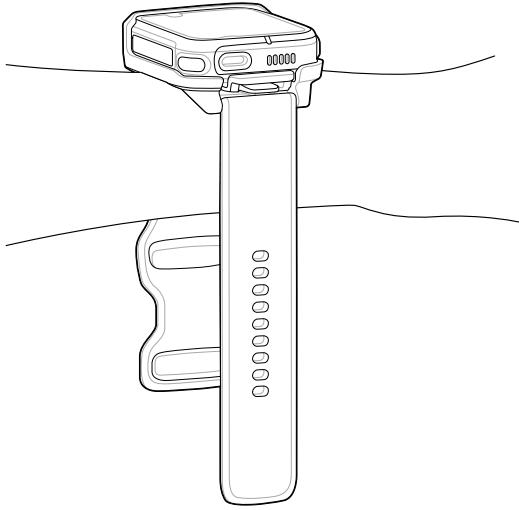
Place the device into the wrist mount and press it until the release tab snaps into place.



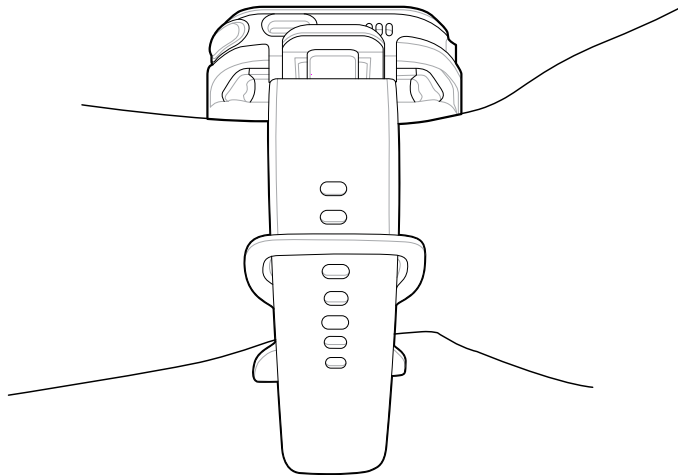
## Mounting the Wrist Mount

The device can be worn on either the right or left hand.

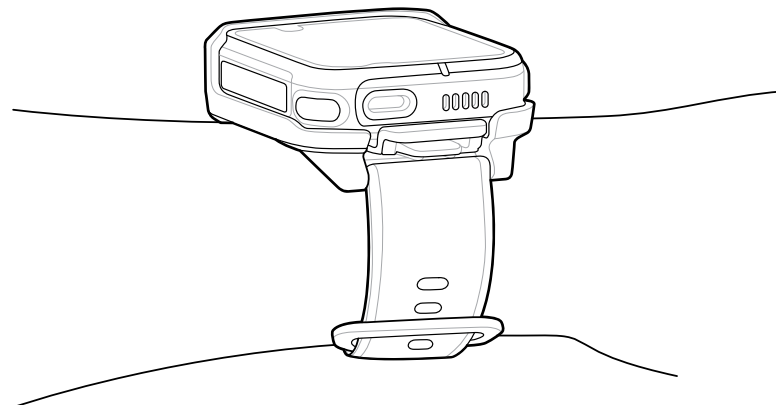
1. Place the device on top of your wrist, with the strap hanging down.



2. Wrap the strap around your wrist and insert the end through the buckle.



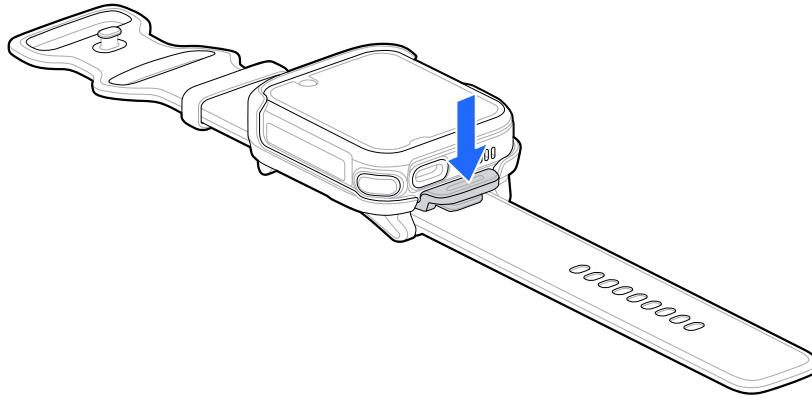
3. Tighten the strap, and then fasten the buckle.



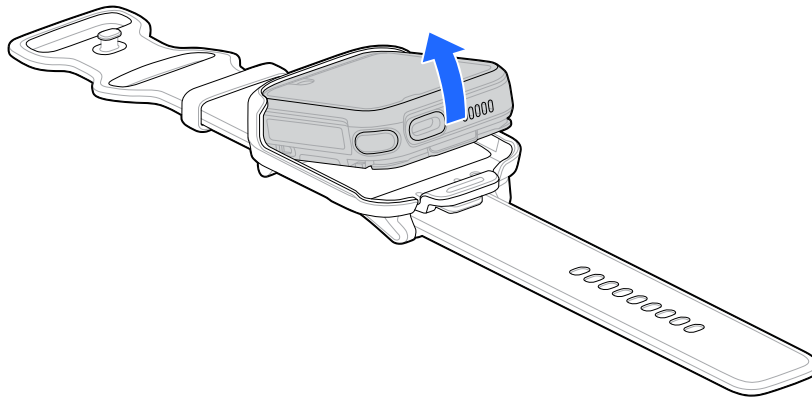
## Removing the Device from the Wrist Mount

This section describes how to remove the device from the wrist mount.

1. Press down on the wrist mount release tab.



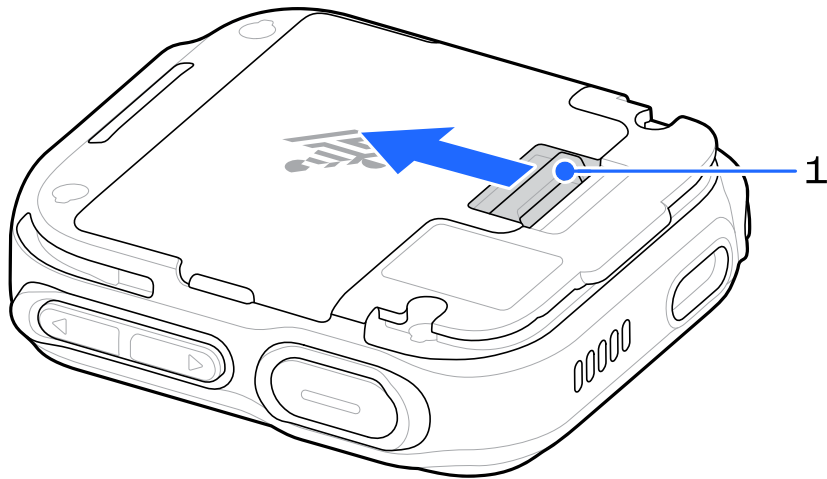
2. Remove the device from the wrist mount.



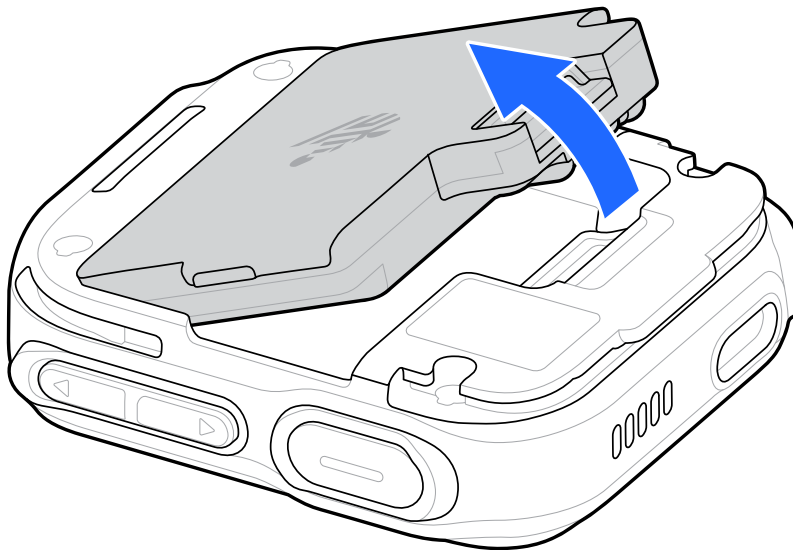
## Replacing the Battery

This section explains how to replace the device battery. After you replace the battery, you must wait for the device to reboot before you can use it.

1. Remove the device from the clip or wrist mount.
  - For more information, go to [Removing the Device from the Clip Mount](#).
  - For more information, go to [Removing the Device from the Wrist Mount](#).
2. Push the battery release latch (1).



3. Hold the latch and lift the battery from the battery compartment.



To install the new battery, go to [Installing the Battery](#).

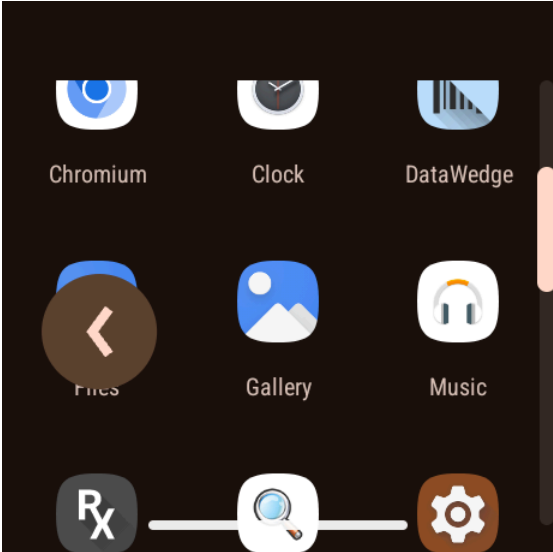
## Device Navigation

This section explains how to move between screens and access device features.

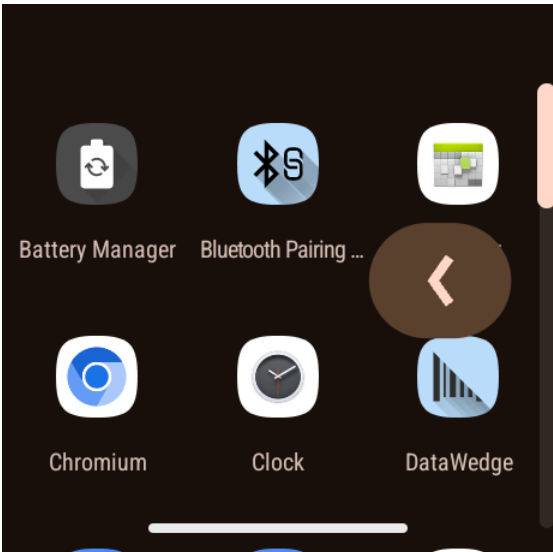
**Go Back**

Swipe from the left or right edge of the screen to go back to the previous screen.

**Figure 7** Swipe Left



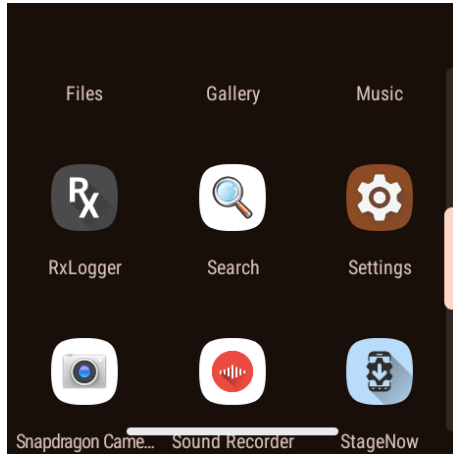
**Figure 8** Swipe Right



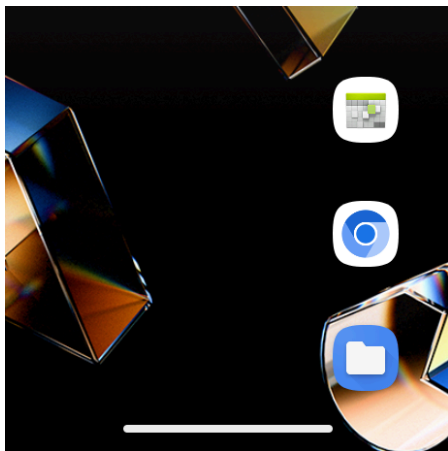
## Go to Home Screen

Swipe up from the bottom of the screen to go back to the Home Screen.

**Figure 9** All Applications



**Figure 10** Home Screen



**NOTE:** By default, the home screen rotation is disabled.

### Find All Applications

Swipe up from the center (1) of the screen to see all installed applications.

Figure 11 Home Screen

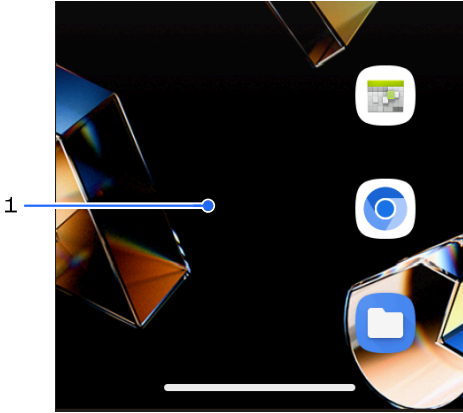
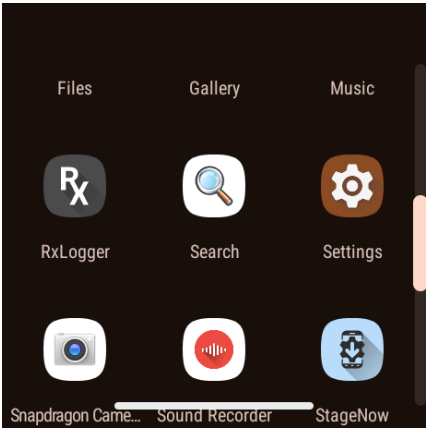


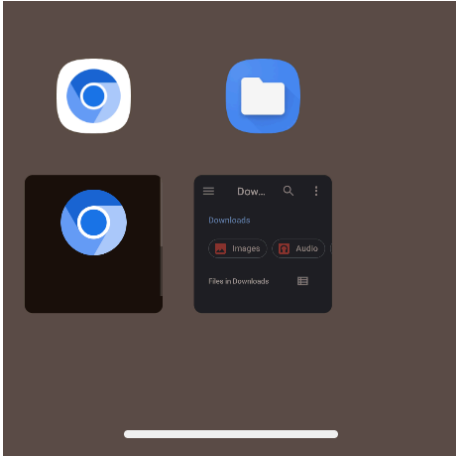
Figure 12 All Applications



## Find All Open Applications

Swipe up from the bottom, hold, and then let go to see all open applications.

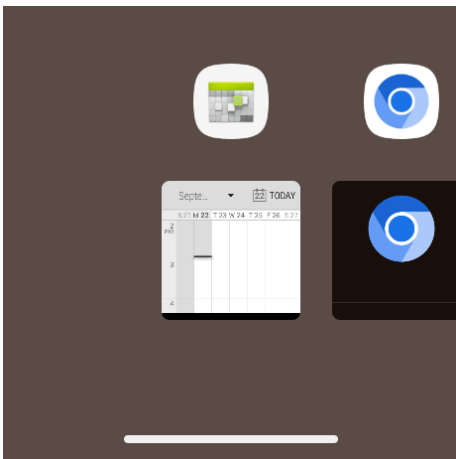
**Figure 13** Open Applications



## Switch Between Open Applications

At the very bottom of the screen, swipe from left to right.

**Figure 14** Open Applications

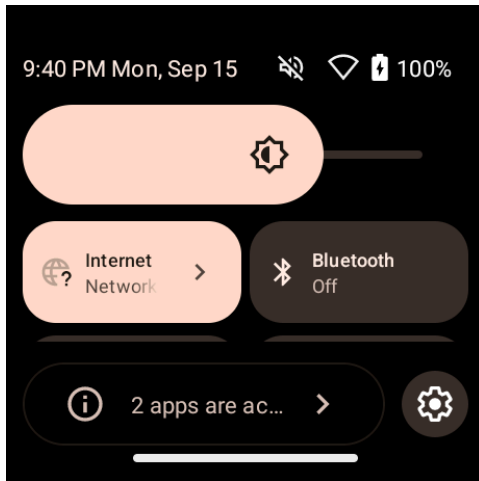


## Opening the Quick Access Panel

Use the Quick Access panel to access frequently used settings (for example, Bluetooth, Screen Brightness, and so on).

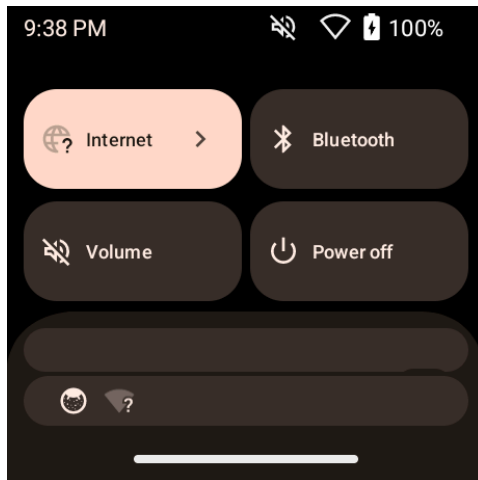
- If the device is locked, swipe down once to access the Quick Access Panel.

**Figure 15** Quick Access Panel



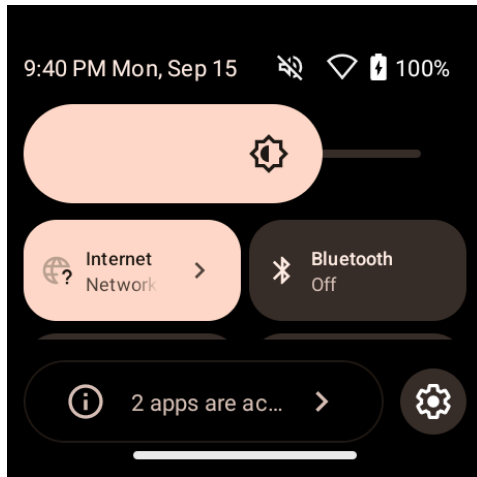
- If the device is unlocked:
  - Swipe down once until you see the Notification Panel.

**Figure 16** Notification Panel



- Swipe down a second time to access the Quick Access Panel.

Figure 17 Quick Access Panel



## Charging the Device

Before using the device for the first time, connect it to an external power source and keep it connected until fully charged. The Charging Indicator LED turns green when the device is fully charged. You can use the device while it is charging.

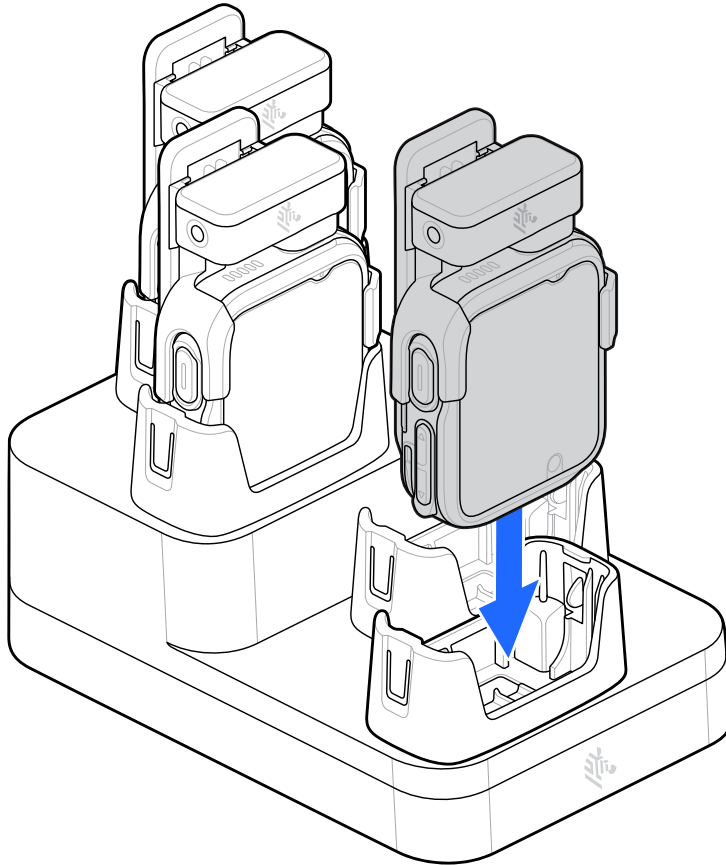
### Charging the Main Battery

Charge the battery in a device with one of the charge-only cradles or the USB charge cable.



**CAUTION:** Ensure that you follow the guidelines for battery safety described in the WS301 Product Reference Guide.

1. Connect the charger to a power source.
2. Insert the device into a cradle slot or attach it to the USB charge cable.



The device turns on and begins charging. The Notification LED on the touch panel shows amber while charging, then turns solid green when fully charged.

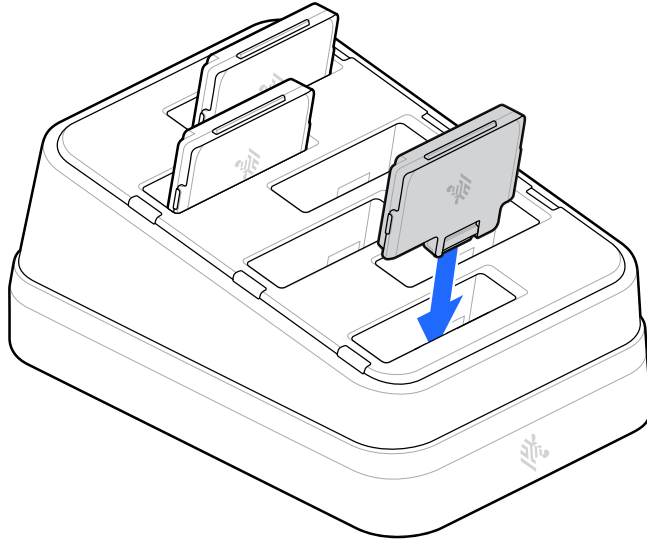


**NOTE:** Insert the device properly in the slot to charge it.

## Charging the Spare Battery

Charge the spare battery with one of the battery chargers.

1. Connect the charger to a power source.
2. Insert the battery into a battery charging well.



3. Gently press down on the battery to ensure proper contact.

The spare battery charging LED on the battery charger indicates the status of the battery charging.

## Charging Indicators

The spare battery charging LED on the cradle cup indicates the status of the spare battery charging.

**Table 1** Spare Battery Charging LED Indicators

| State                               | Indication  |
|-------------------------------------|---|
| Off                                 | The battery is not charging. The battery is not inserted correctly in the cradle or connected to a power source. Cradle is not powered.   |
| Solid Amber                         | Healthy battery is charging.  |
| Solid Green                         | Healthy battery charging is complete.   |
| Fast Blinking Red (2 blinks/second) | Charging error, for example: <ul style="list-style-type: none"> <li>• Temperature is too low or too high.</li> <li>• Charging has gone on too long without completion (typically eight hours).</li> </ul> |
| Solid Red                           | Unhealthy battery is charging or fully charged.   |

## Charging Temperature

Charge batteries in temperatures from 6°C to 40°C (42.8°F to 104°F). The device or cradle always performs battery charging in a safe and intelligent manner. At higher temperatures (for example, approximately +37°C (+98°F) the device or cradle may, for short periods, alternately enable and disable battery charging to maintain the battery at an acceptable temperature. The device and cradle indicate when charging is disabled due to abnormal temperatures via their LED.

## Charging Accessories

Use one of the following accessories to charge the device and/or spare battery.

**Table 2** Charging Accessories

| Accessories                | Part Number        | Charging            |               | Communication |
|----------------------------|--------------------|---------------------|---------------|---------------|
|                            |                    | Battery (In device) | Spare Battery | USB           |
| Power Supply               | PWR-WUA5V45W1XX    | Yes                 | Yes           | No            |
| USB Charge Cable           | CBL-EC5X-USBC3A-01 | Yes                 | No            | Yes           |
| 4-Slot Charge-Only Cradle  | CRD-WS1X3-4SC-01   | Yes                 | No            | No            |
| 20-Slot Charge-Only Cradle | CRD-WS1X3-20SC-01  | Yes                 | No            | No            |
| 6-Slot Battery Charger     | SAC-WS3X-6S7-01    | No                  | Yes           | No            |
| 30-Slot Battery Charger    | SAC-WS3X-30S7-01   | No                  | Yes           | No            |



**NOTE:** For PWR-WUA5V45W1XX, replace XX as follows to get the right plug style based on region: AR (Argentina) · AU (Australia) · BR (Brazil) · CN (China) · EU (European Union) · GB (Great Britain) · IN (India) · KR (Korea) · US (United States)

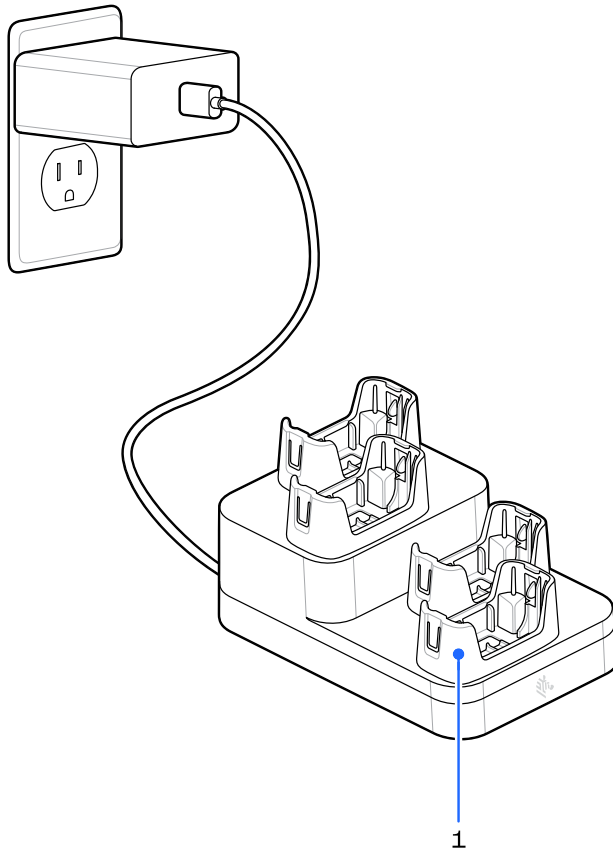
### 4-Slot Charge-Only Cradle

The 4-Slot Charge-Only Cradle provides power for operating the device and can charge up to four devices.



**CAUTION:** Ensure that you follow the guidelines for battery safety described in the WS301 Product Reference Guide.

**Figure 18** 4-Slot Charge-Only Cradle



|   |                      |
|---|----------------------|
| 1 | Device charging slot |
|---|----------------------|



**NOTE:** Insert the device properly in the slot to charge it.

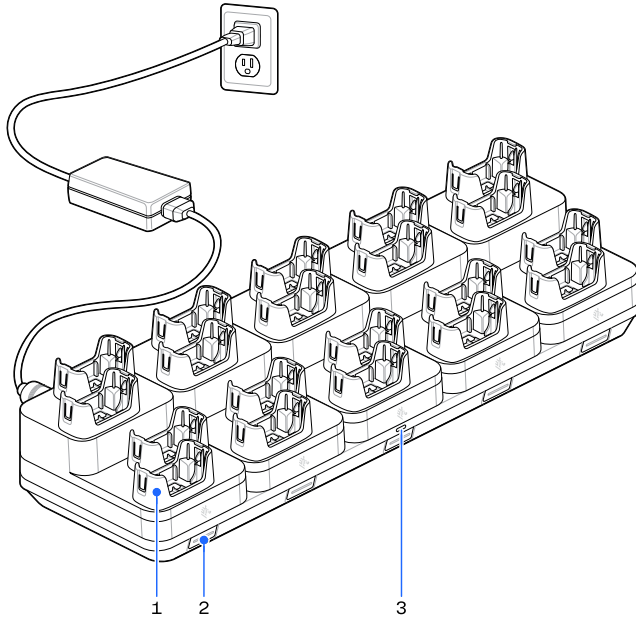
### 20-Slot Charge-Only Cradle

The 20-Slot Charge-Only Cradle provides power for operating the device and can charge up to 20 devices.



**CAUTION:** Ensure that you follow the guidelines for battery safety described in the WS301 Product Reference Guide.

**Figure 19** 20-Slot Charge-Only Cradle



|   |                      |
|---|----------------------|
| 1 | Device charging slot |
| 2 | Release button       |
| 3 | Base power LED       |



**NOTE:** Insert the device properly in the slot to charge it.

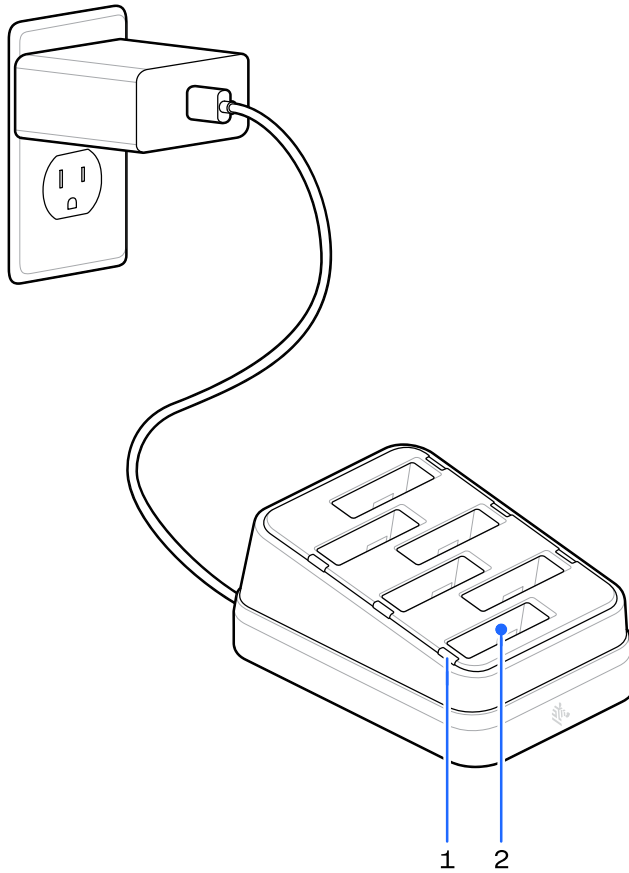
### 6-Slot Battery Charger

The 6-Slot Battery Charger charges up to six spare batteries.



**CAUTION:** Ensure that you follow the guidelines for battery safety described in the WS301 Product Reference Guide.

**Figure 20** 6-Slot Battery Charger



|   |              |
|---|--------------|
| 1 | Charging LED |
| 2 | Battery slot |



**NOTE:** Insert the battery properly in the slot to charge it.

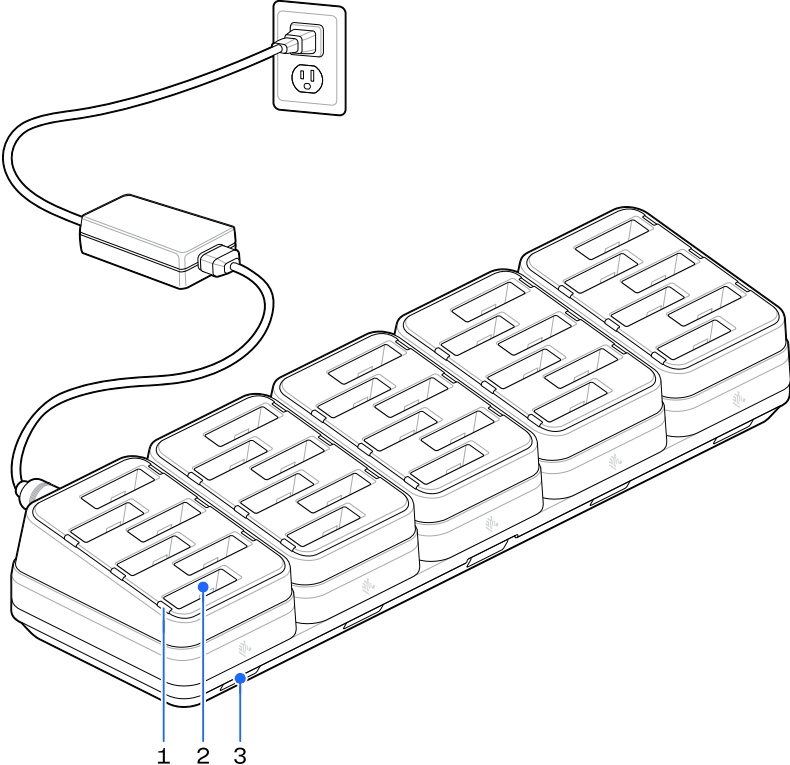
### 30-Slot Battery Charger

The 30-Slot Battery Charger charges up to 30 spare batteries.



**CAUTION:** Ensure that you follow the guidelines for battery safety described in the WS301 Product Reference Guide.

Figure 21 30-Slot Battery Charger



|   |                |
|---|----------------|
| 1 | Charging LED   |
| 2 | Battery slot   |
| 3 | Base power LED |

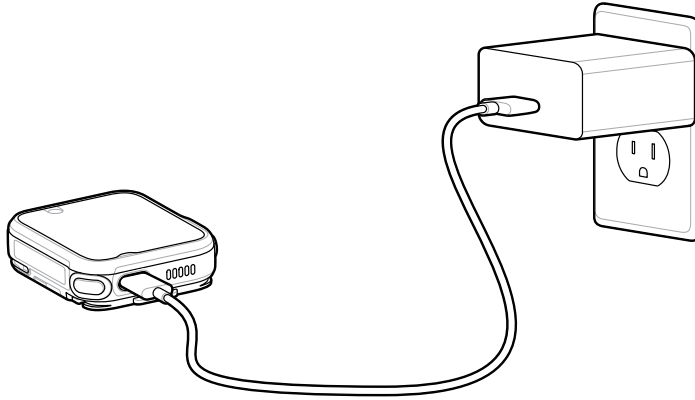


**NOTE:** Insert the battery properly in the slot to charge it.

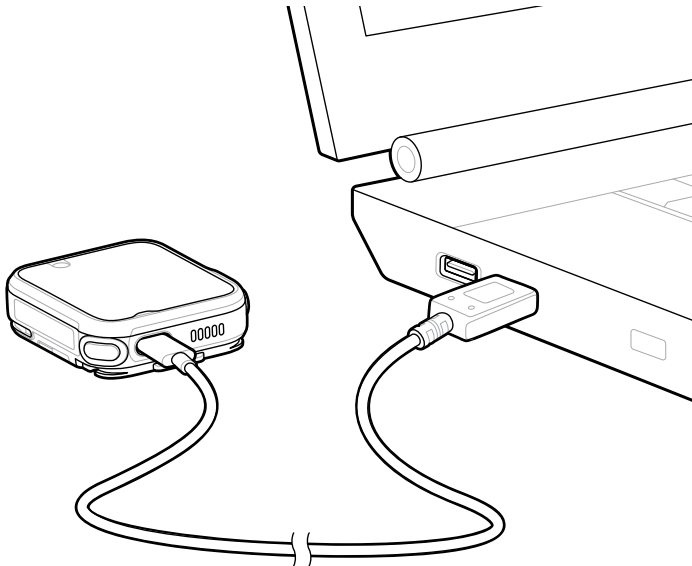
## USB Charge Cable

The USB charge cable plugs into the bottom of the device and is easily removed when not in use. The cable charges the device and enables it to transfer data to a host computer.

**Figure 22** Connecting to a Power Source



**Figure 23** Connecting to a Computer



## Maintaining the Device with the Screen Protector

A screen protector is applied to the device. Zebra recommends using a screen protector to minimize wear and tear. Screen protectors enhance the usability and durability of touchscreen displays. Benefits include:

- Protection from scratches and gouges.
- Durable touch surface with tactile feel.
- Abrasion and chemical resistance.
- Glare reduction.

- Keeping the device's screen looking new.
- Quick and easy installation.

### **Ergonomic Recommendations**

To avoid or minimize risk of ergonomic injury, follow the ergonomic recommendations.

- Ensure the clip mount is securely attached to clothing or a belt to prevent it from dislodging during use.
- Ensure the device is mounted so that the display is oriented towards you.
- Maintain a neutral posture.
- Reduce or eliminate unnecessary repetitive motion and activation.
- Keep objects that are used frequently within easy reach.
- Perform tasks at correct heights.
- Reduce or eliminate direct pressure.
- Provide adequate clearance.
- Provide a suitable working environment.

