

WT6300

Wearable Computer



ZEBRA

Quick Start Guide

2024/10/18

ZEBRA and the stylized Zebra head are trademarks of Zebra Technologies Corporation, registered in many jurisdictions worldwide. All other trademarks are the property of their respective owners. ©2024 Zebra Technologies Corporation and/or its affiliates. All rights reserved.

Information in this document is subject to change without notice. The software described in this document is furnished under a license agreement or nondisclosure agreement. The software may be used or copied only in accordance with the terms of those agreements.

For further information regarding legal and proprietary statements, please go to:

SOFTWARE: zebra.com/informationpolicy.

COPYRIGHTS: zebra.com/copyright.

PATENTS: ip.zebra.com.

WARRANTY: zebra.com/warranty.

END USER LICENSE AGREEMENT: zebra.com/eula.

Terms of Use

Proprietary Statement

This manual contains proprietary information of Zebra Technologies Corporation and its subsidiaries ("Zebra Technologies"). It is intended solely for the information and use of parties operating and maintaining the equipment described herein. Such proprietary information may not be used, reproduced, or disclosed to any other parties for any other purpose without the express, written permission of Zebra Technologies.

Product Improvements

Continuous improvement of products is a policy of Zebra Technologies. All specifications and designs are subject to change without notice.

Liability Disclaimer

Zebra Technologies takes steps to ensure that its published Engineering specifications and manuals are correct; however, errors do occur. Zebra Technologies reserves the right to correct any such errors and disclaims liability resulting therefrom.

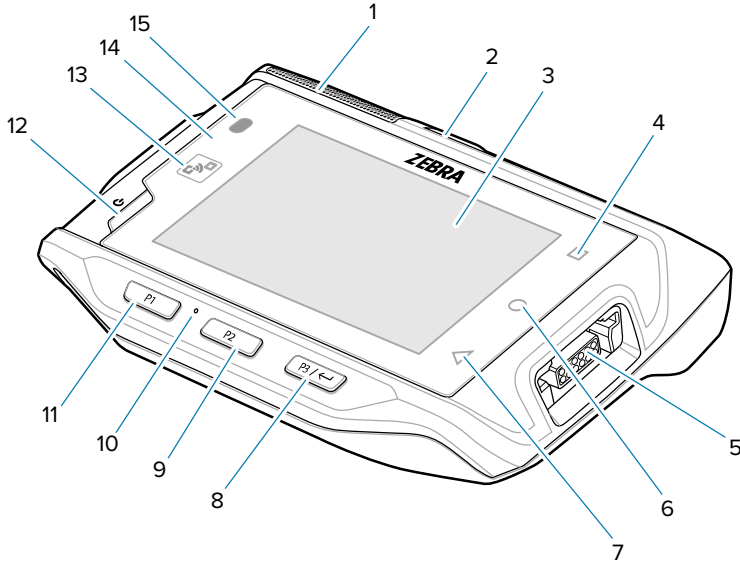
Limitation of Liability

In no event shall Zebra Technologies or anyone else involved in the creation, production, or delivery of the accompanying product (including hardware and software) be liable for any damages whatsoever (including, without limitation, consequential damages including loss of business profits, business interruption, or loss of business information) arising out of the use of, the results of use of, or inability to use such product, even if Zebra Technologies has been advised of the possibility of such damages. Some jurisdictions do not allow the exclusion or limitation of incidental or consequential damages, so the above limitation or exclusion may not apply to you.

Device Features

This section lists the features of the WT6300 wearable computer.

Figure 1 Front View



Number	Item	Function
1	Speaker	Provides audio output for video and music playback.
2	Battery	Provides power to the device.
3	Display	Displays all information needed to operate the device.
4	Recent button	Displays recently open applications.
5	Right interface connector	Provides USB host and client communication, audio and device charging via cables and accessories.
6	Home button	Displays the Home screen.
7	Back button	Displays the previous screen.
8	P3 button / Enter button	Use as the Enter button. If programmed as PTT, initiates Push-To-Talk communication.
9	P2 button	Increases volume.
10	Microphone	Use for communication on handset.
11	P1 button	Decreases volume.
12	Power button	Turns the display on and off. Press and hold to reset the device and power off.
13	NFC antenna	Provides communication with other NFC-enabled devices.
14	Ambient light sensor	Determines ambient light for controlling display backlight intensity.

Number	Item	Function
15	Notification/ Charge LED	Indicates battery charging status while charging with USB Charge cable and provide notifications from applications.

Figure 2 Rear View

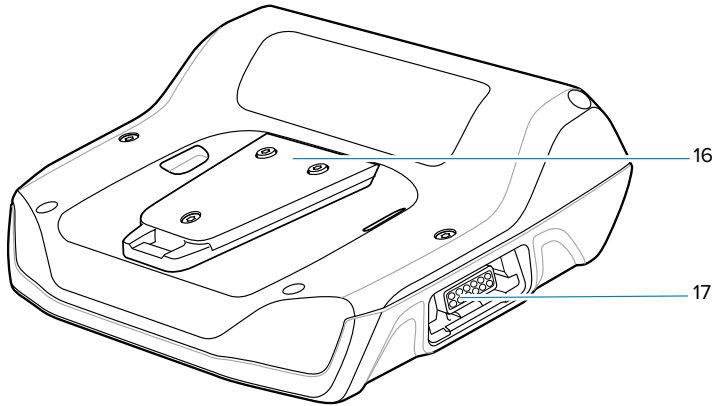


Table 1 Rear View

Number	Item	Function
16	Cleat	Provides alignment and secures the device to the wrist and hip mounts.
17	Left interface connector	Provides USB host and client communication, audio, and device charging via cables and accessories.

Installing the Battery

This section describes how to install the battery into the WT6300.

1. Insert the end of the battery into the battery well.

Figure 3 Standard Battery Installation

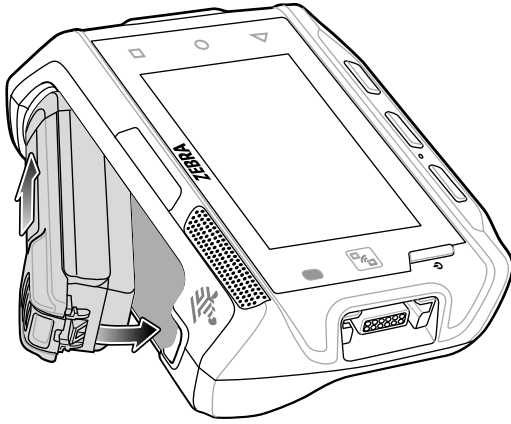
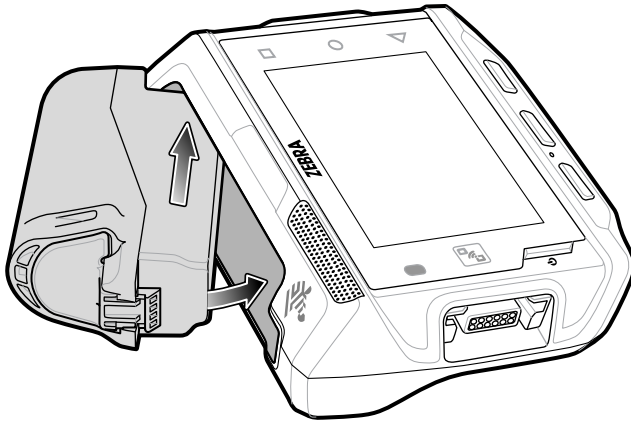


Figure 4 Extended Battery Installation



2. Press the battery down until it snaps into place.

Replacing the Battery

Replacing the battery in the WT6300.

1. Press the Power button to place the device in suspend mode.

2. Using fingertip, press the battery release latch toward the end of the battery.

Figure 5 Pull Release Latch Back on Standard Battery

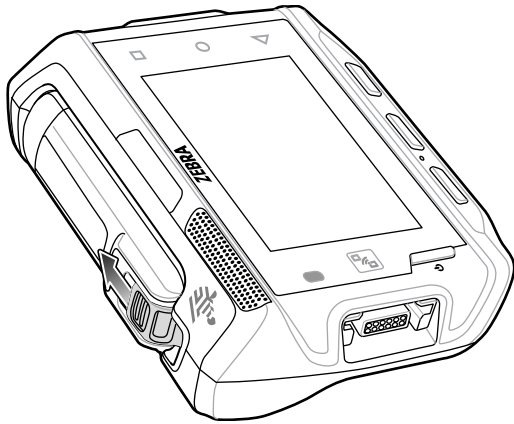
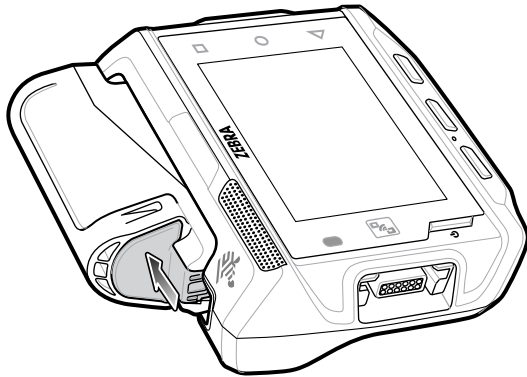


Figure 6 Pull Release Latch Back on Extended Battery



3. Lift the battery out of the battery well.

Figure 7 Standard Battery Removal

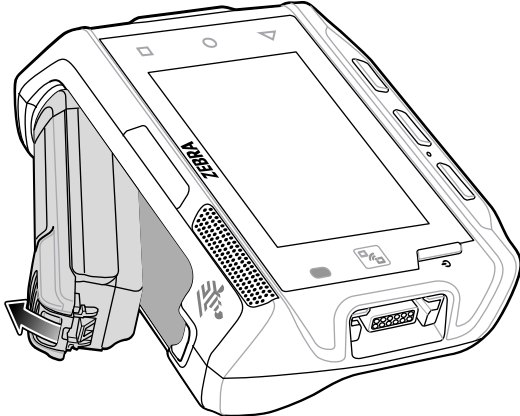
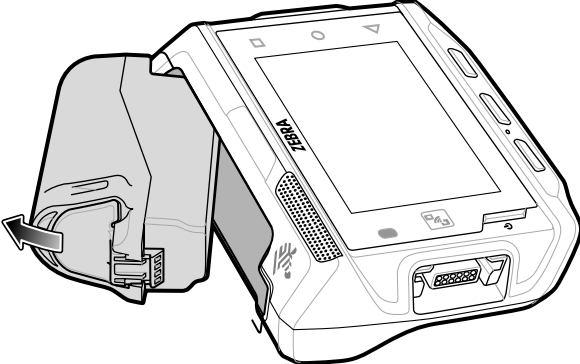


Figure 8 Extended Battery Removal



4. Insert the end of the battery into the battery well.

Figure 9 Standard Battery Installation

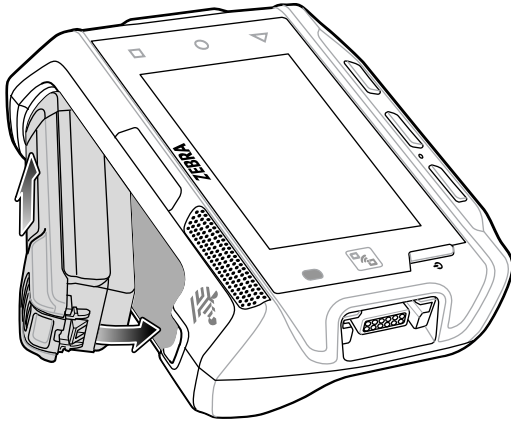
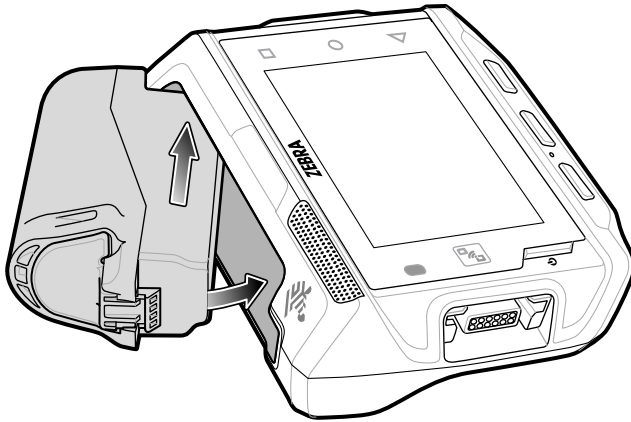


Figure 10 Extended Battery Installation

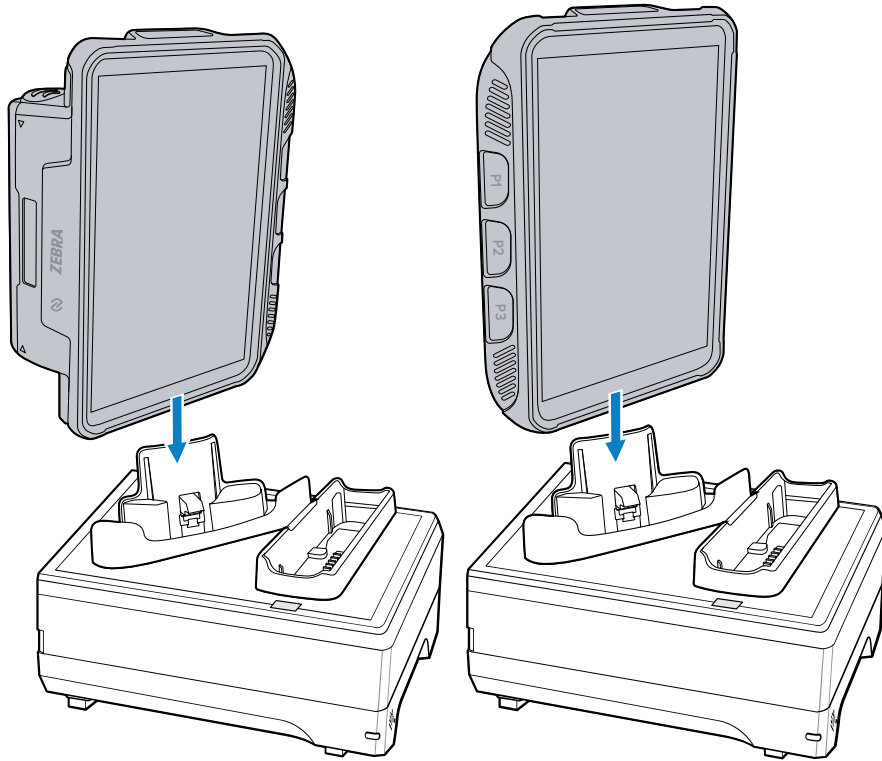


5. Press the battery down until it snaps into place.

Charging the Device

The device charges when placed into a charging cradle. You can use it with either the standard or extended battery.

1. Insert either end of the device into the device charging slot.



2. Ensure the device is seated properly.

The device Charge LED blinks indicating charging.

The cradle Charging LED lights amber while charging, then turns solid green when fully charged.

The standard battery fully charges in approximately 4 hours at room temperature. The extended battery fully charges in approximately 5 hours and 30 minutes at room temperature.

Charging the Spare Battery

You can use a charging cradle to charge the spare battery.

1. Insert a spare battery into the spare battery slot.

2. Gently press down on the battery until it snaps into place.

Figure 11 Standard Spare Battery

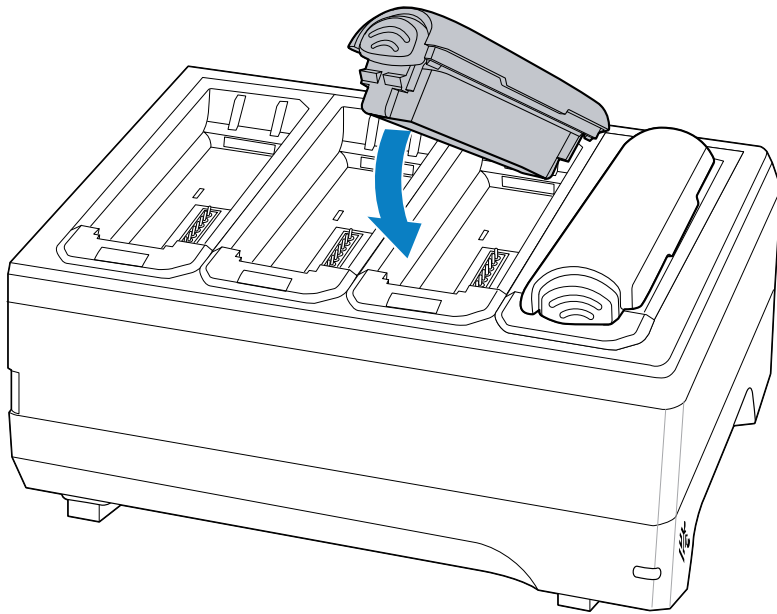
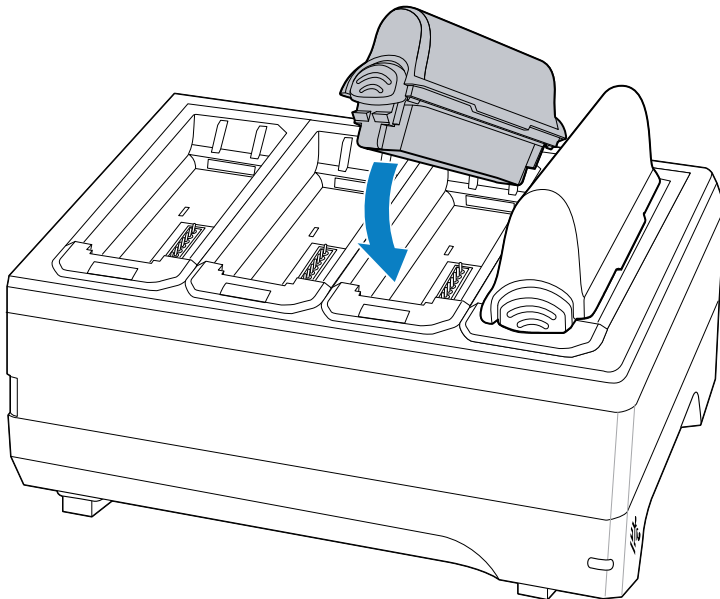


Figure 12 Extended Spare Battery



Charging Temperature

Charge batteries in temperatures from 0°C to 40°C (32°F to 104°F). The device or cradle always performs battery charging safely and intelligently: At higher temperatures (for example, approximately 37°C (98°F)), the device or cradle may alternately enable and disable battery charging to keep the battery at acceptable

temperatures. The device and cradle indicate when charging is disabled due to abnormal temperatures via its LED.

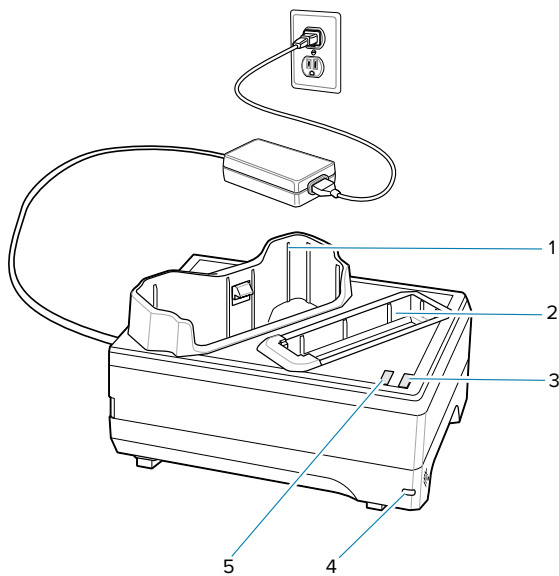
1-Slot USB Charging Cradle



CAUTION: Ensure that you follow the guidelines for battery safety described in [Battery Safety Guidelines](#).

The 1-Slot USB Charging Cradle:

- Provides 5.4 VDC (nominal) power for operating the device.
- Provides USB communication with a host computer
- Charges a spare battery.



1	Device charging slot
2	Spare battery charging slot
3	Power LED
4	Spare battery charging LED
5	Device charging LED

2-Slot Device/RS6000 Charging Cradle

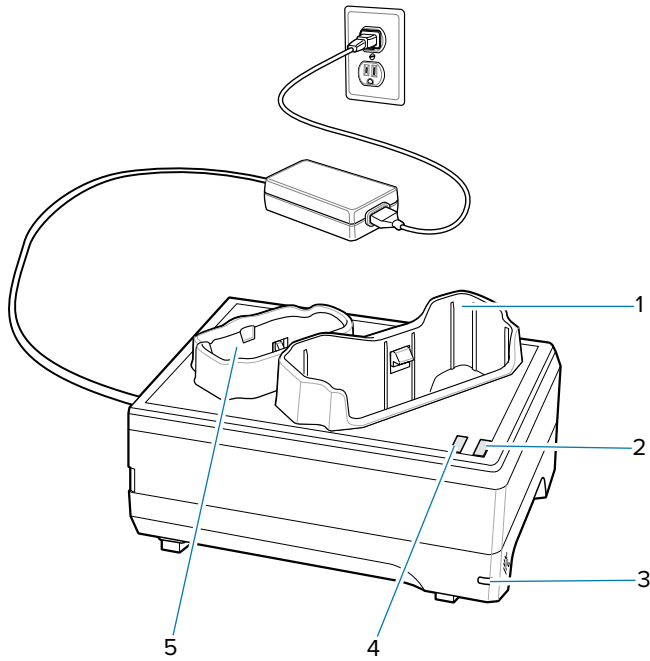


CAUTION: Ensure that you follow the guidelines for battery safety described in [Battery Safety Guidelines](#).

The 2-Slot Device/RS6000 Charging Cradle:

- Provides 5.4 VDC (nominal) power for operating the device and RS6000.
- Provides USB communication with a host computer.

Figure 13 2-Slot Device/RS6000 Charging Cradle



1	Device charging slot
2	Device charging LED
3	Power LED
4	RS6000 charging LED
5	RS6000 charging slot

5-Slot Charge Only Cradle

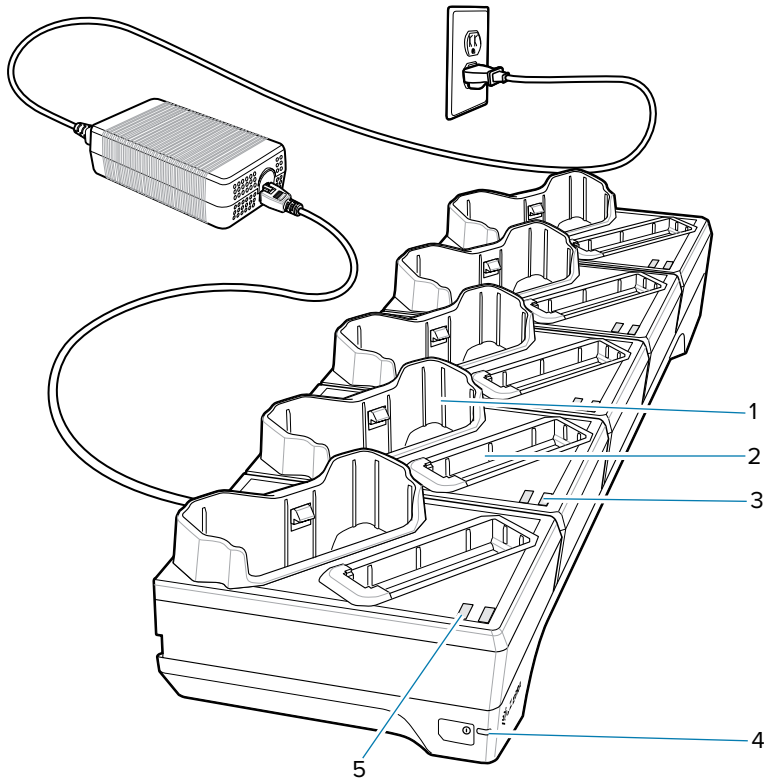


CAUTION: Ensure that you follow the guidelines for battery safety described in [Battery Safety Guidelines](#).

The 5-Slot Charge Only Cradle:

- Provides 5.4 VDC (nominal) power for operating up to five devices.
- Simultaneously charges up to five devices.
- Simultaneously charges up to five spare batteries.

Figure 14 5-Slot Charge Only Cradle



1	Device charging slot
2	Spare battery charging slot
3	Power LED
4	Spare battery charging LED
5	Device charging LED

10-Slot Device/RS6000 Charge Only Cradle

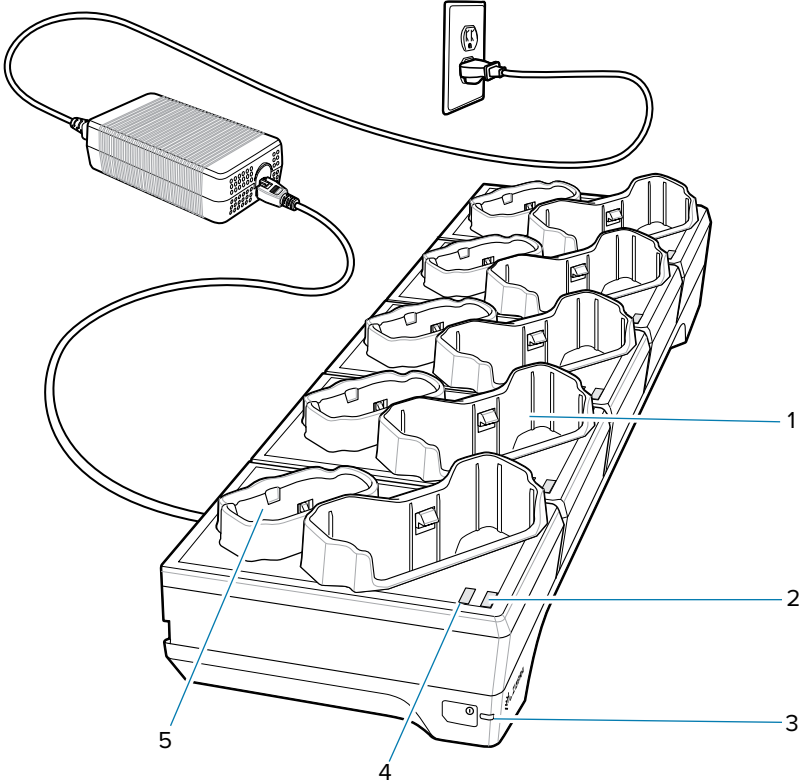


CAUTION: Ensure that you follow the guidelines for battery safety described in [Battery Safety Guidelines](#).

The 10-Slot Device/RS6000 Charge Only Cradle:

- Provides 5.4 VDC (nominal) power for operating the device and RS6000.
- Simultaneously charges up to five devices.
- Simultaneously charges up to five RS6000's.

Figure 15 10-Slot Device/RS6000 Charge Only Cradle



1	Device charging slot
2	Device charging LED
3	Power LED
4	RS6000 charging LED
5	RS6000 charging slot

10-Slot Charge Only Cradle

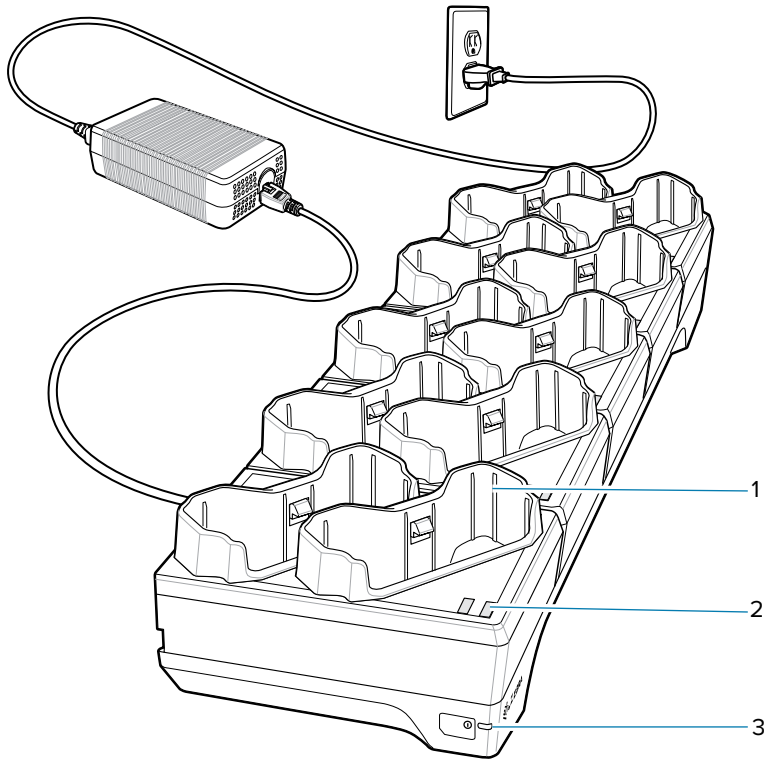


CAUTION: Ensure that you follow the guidelines for battery safety described in [Battery Safety Guidelines](#).

The 10-Slot Charge Only Cradle:

- Provides 5.4 VDC (nominal) power for operating the device.
- Simultaneously charges up to 10 devices.

Figure 16 10-Slot Charge Only Cradle



1	Device charging slot
2	Power LED
3	Device charging LEDs

5-Slot Ethernet Cradle

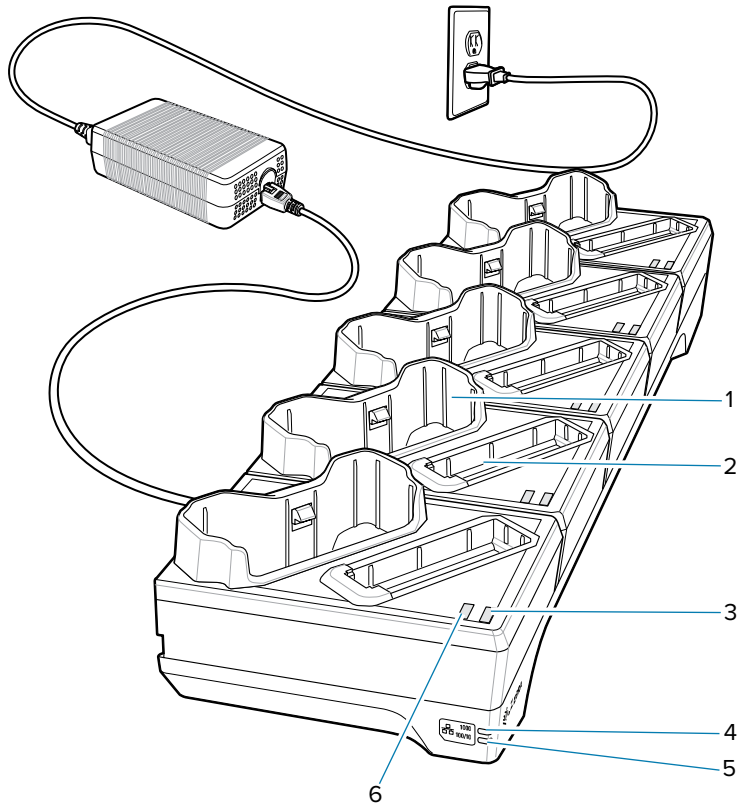


CAUTION: Ensure that you follow the guidelines for battery safety described in [Battery Safety Guidelines](#).

The 5-Slot Ethernet Cradle:

- Provides 5.4 VDC (nominal) power for operating the device.
- Connects up to five devices to an Ethernet network.
- Simultaneously charges up to five devices.
- Simultaneously charges up to five spare batteries.

Figure 17 5-Slot Device Ethernet Cradle



1	Device charging slot
2	Spare battery charging slot
3	1000 LED
4	100/100 LED
5	Spare battery charging LED
6	Device charging LED

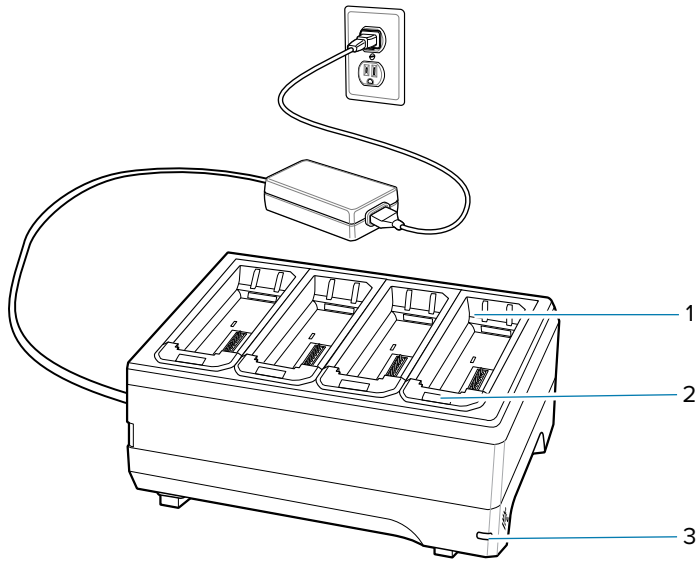
4-Slot Battery Charger

The 4-Slot Battery Charger charges up to four spare batteries.



CAUTION: Ensure that you follow the guidelines for battery safety described in [Battery Safety Guidelines](#).

Figure 18 4-Slot Spare Battery Charger



1	Spare battery charging slot
2	Battery charging LEDs (4)
3	Power LED

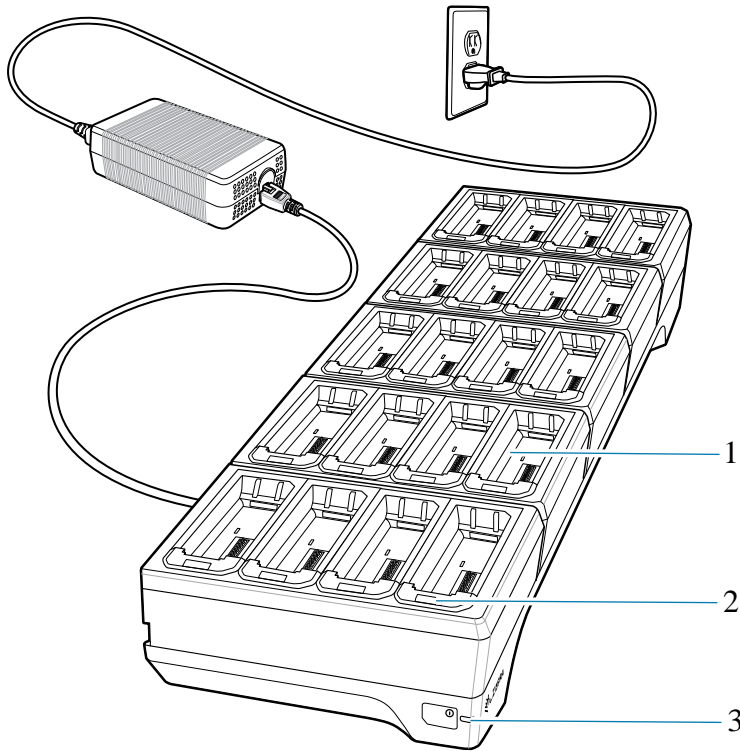
20-Slot Battery Charger

The 20-Slot Battery Charger charges up to 20 spare batteries.



CAUTION: Ensure that you follow the guidelines for battery safety described in [Battery Safety Guidelines](#).

Figure 19 20-Slot Battery Charger



1	Spare battery charging slot
2	Battery charging LEDs (20)
3	Power LED

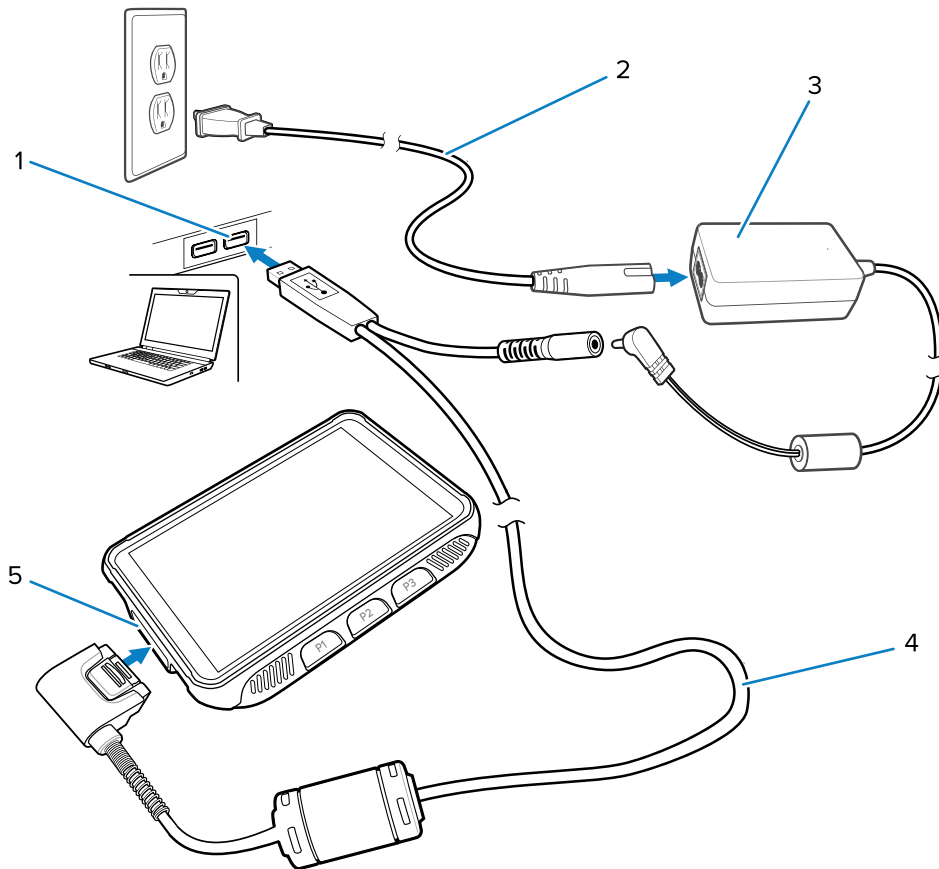
USB/Charge Cable



CAUTION: Ensure that you follow the guidelines for battery safety described in [Battery Safety Guidelines](#).

The USB and Charging cable connects to either interface connector on the device. When attached to the device, allows the device to transfer data to a host computer and provides power for charging the device.

Figure 20 USB and Charging Cable



1	USB port
2	AC line cord
3	Power supply
4	USB charge cable
5	Interface connector

Ergonomic Considerations

To avoid or minimize risk of ergonomic injury, follow these recommendations:

- Ensure that users are trained in proper mounting of the device.
- Ensure that the device is not worn near the wrist joint.
- Ensure that the device is mounted so that the display is oriented towards the user.
- Ensure proper use and maintenance of the adjustable strap.
- Match strap selection to user forearm – Use white coded BOA strap for small to medium forearm size, and use black coded BOA strap for medium to large forearm size.
- Maintain and clean wearable components such as straps and soft goods.

- Reduce or eliminate unnecessary repetitive motion and activation.
- Maintain a neutral posture.
- Reduce or eliminate elevated or raised arm and shoulder postures.
- Reduce or eliminate excessive force.
- Keep objects that are used frequently within easy reach.
- Perform tasks at correct heights.
- Reduce or eliminate direct pressure.
- Provide adequate clearance.
- Provide a suitable working environment.

