

Migrating from TTP 1000 to TTP2000 Table of Contents

Introduction.....	2
TTP1000 Series Physical Dimensions & Mounting.....	2
TTP2000 Physical Dimensions and Mounting.....	5
Measurement Summary.....	6

Migrating from TTP 1000 to TTP2000

Introduction

When migrating from one Zebra Embedded/Kiosk printer to another, it is important to note the physical differences between the models. Though printers may look similar and have similar functions, there are differences in printer footprint, size, and mounting. This document illustrates the differences between the TTP1000 series and the TTP2000 series printers.

To use this document, note which printer width and roll holder you are currently using. Note the differences in such things as paper entrance height, paper exit height, mounting hole locations, and paper roll holder dimensions.

If, after reading this document, you have any questions about migrating to a new printer, please contact Zebra US Technical Support at www.zebra.com/technicalsupport

TTP1000 Series Physical Dimensions & Mounting

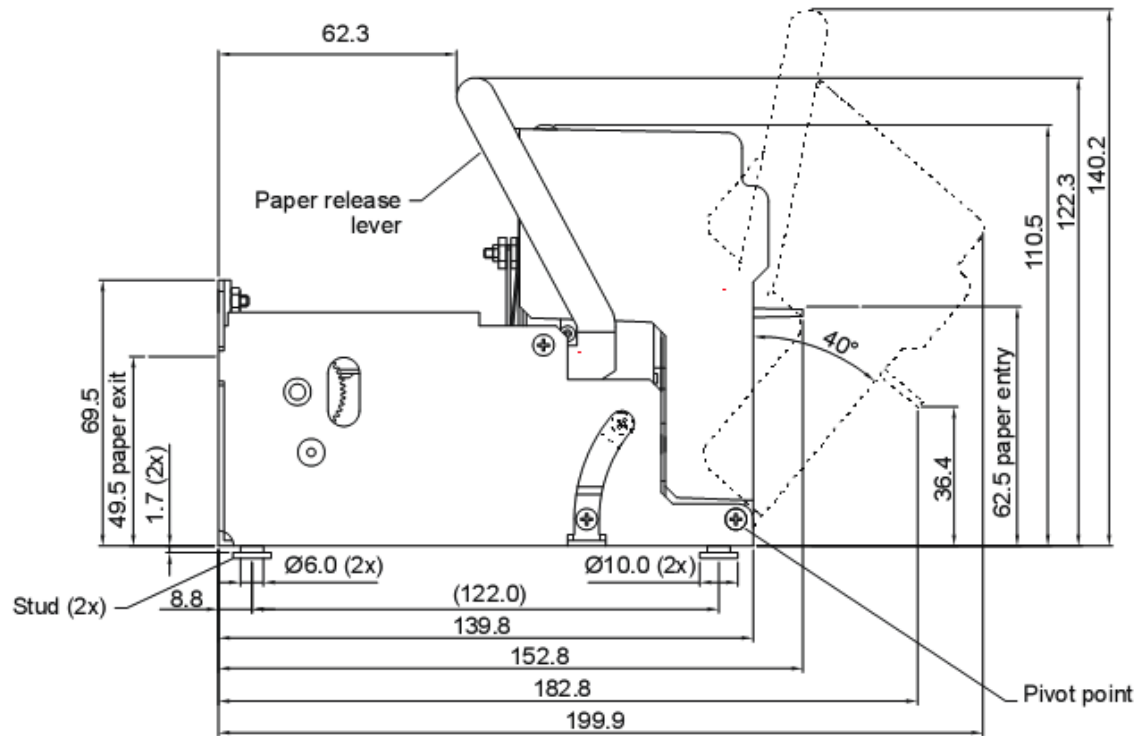


Figure 1. TTP1000 series printer dimensions, side view. All measurements are in millimeters. See figure 3 for side-to-side location of mounting points.

Migrating from TTP 1000 to TTP2000

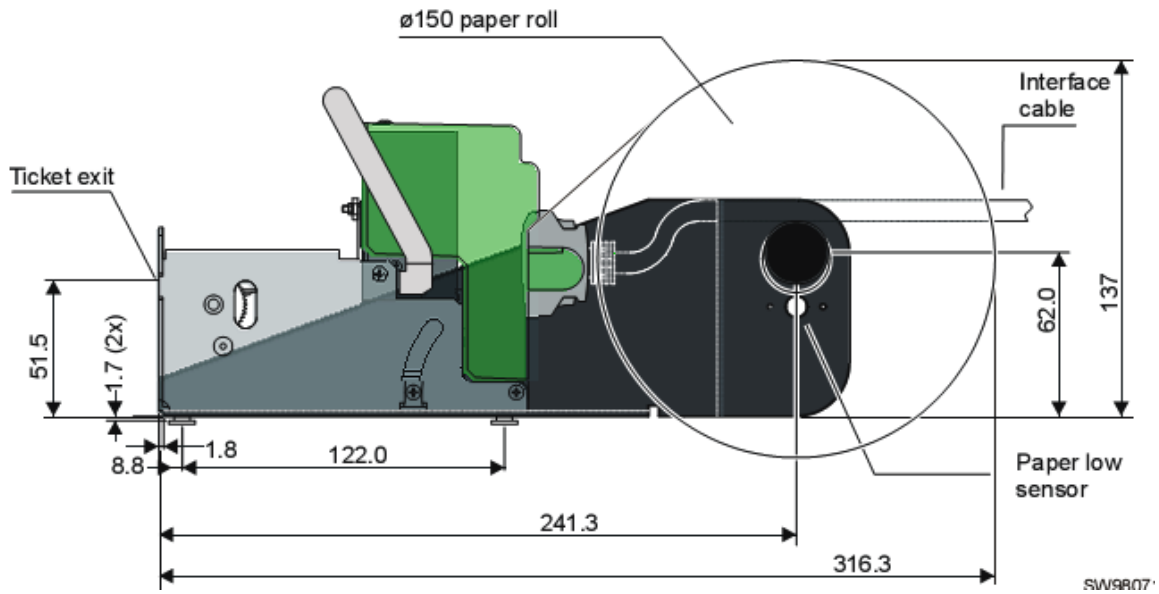


Figure 2. TTP1000 series, side view, with 150mm roll holder. All measurements are in millimeters. NOTE: The roll holder raises the printer by 2mm.

Migrating from TTP 1000 to TTP2000

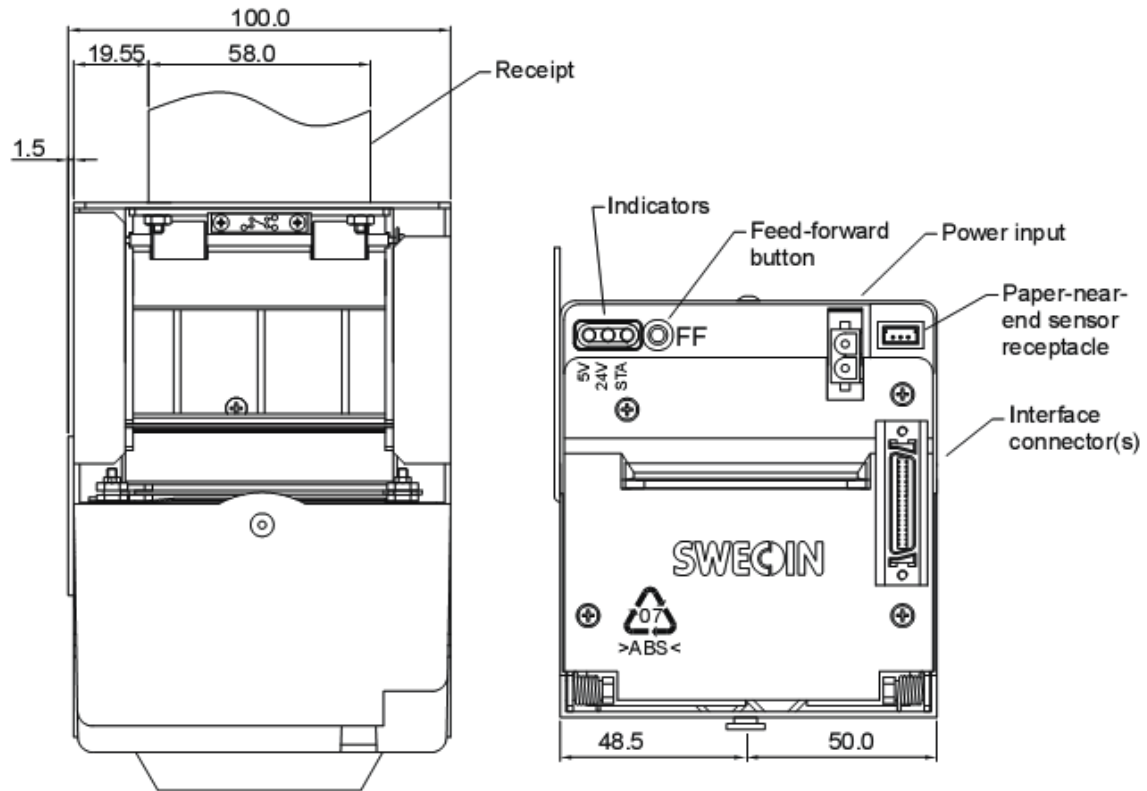


Figure 3. TTP1000 series, top and back view. All measurements are in millimeters. NOTE: Mounting points are not exactly centered on the baseplate. They are centered with respect to the full printer width, including the printhead lever.

Migrating from

TTP 1000 to TTP2000

TTP2000 Physical Dimensions and Mounting

Use M3 screws for fastening printer
Max length = 4 mm inside printer

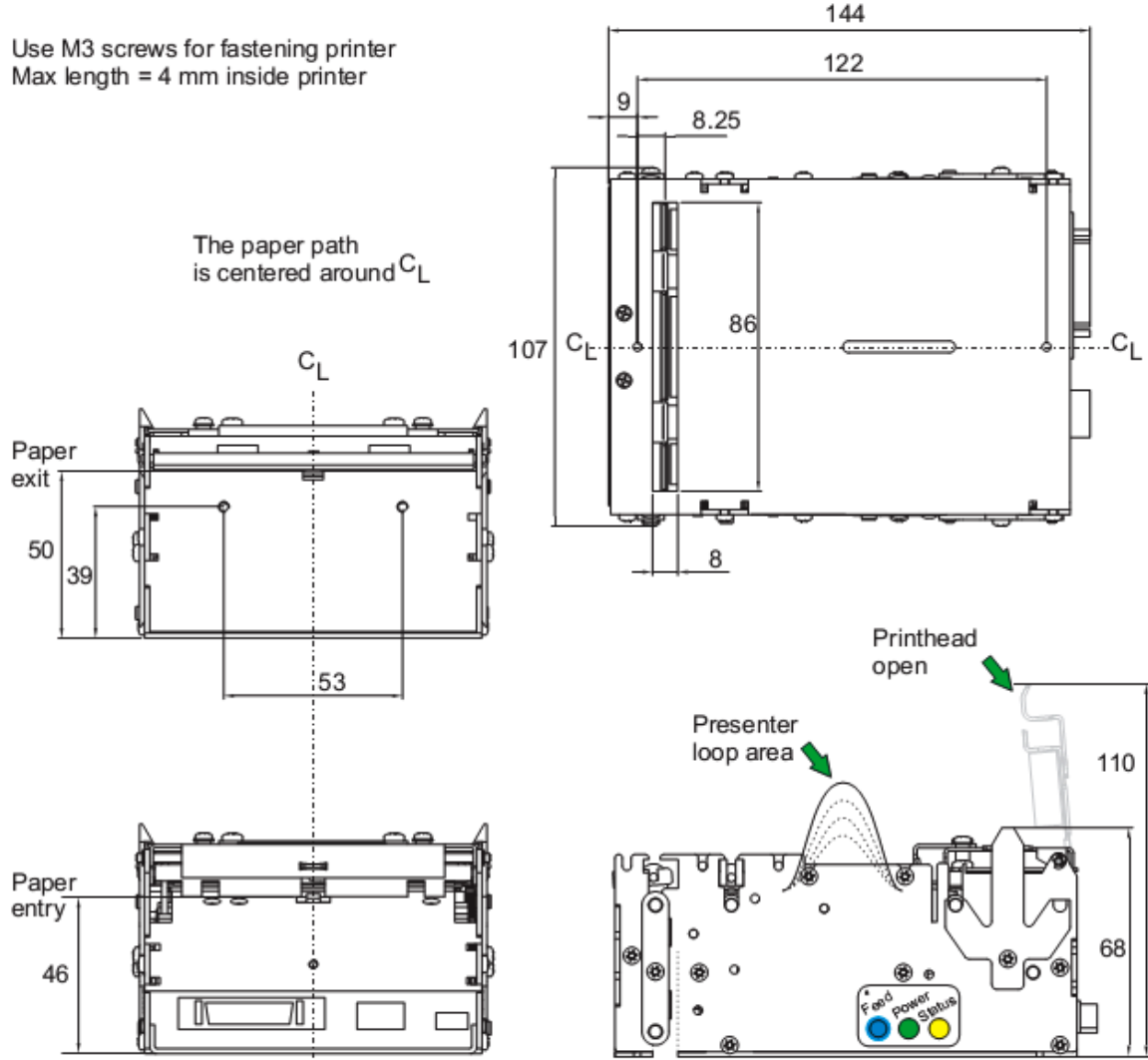


Figure 4. TTP2000 measurements. Clockwise: Front view, bottom view, side view, rear view.

**Migrating from
TTP 1000 to TTP2000**

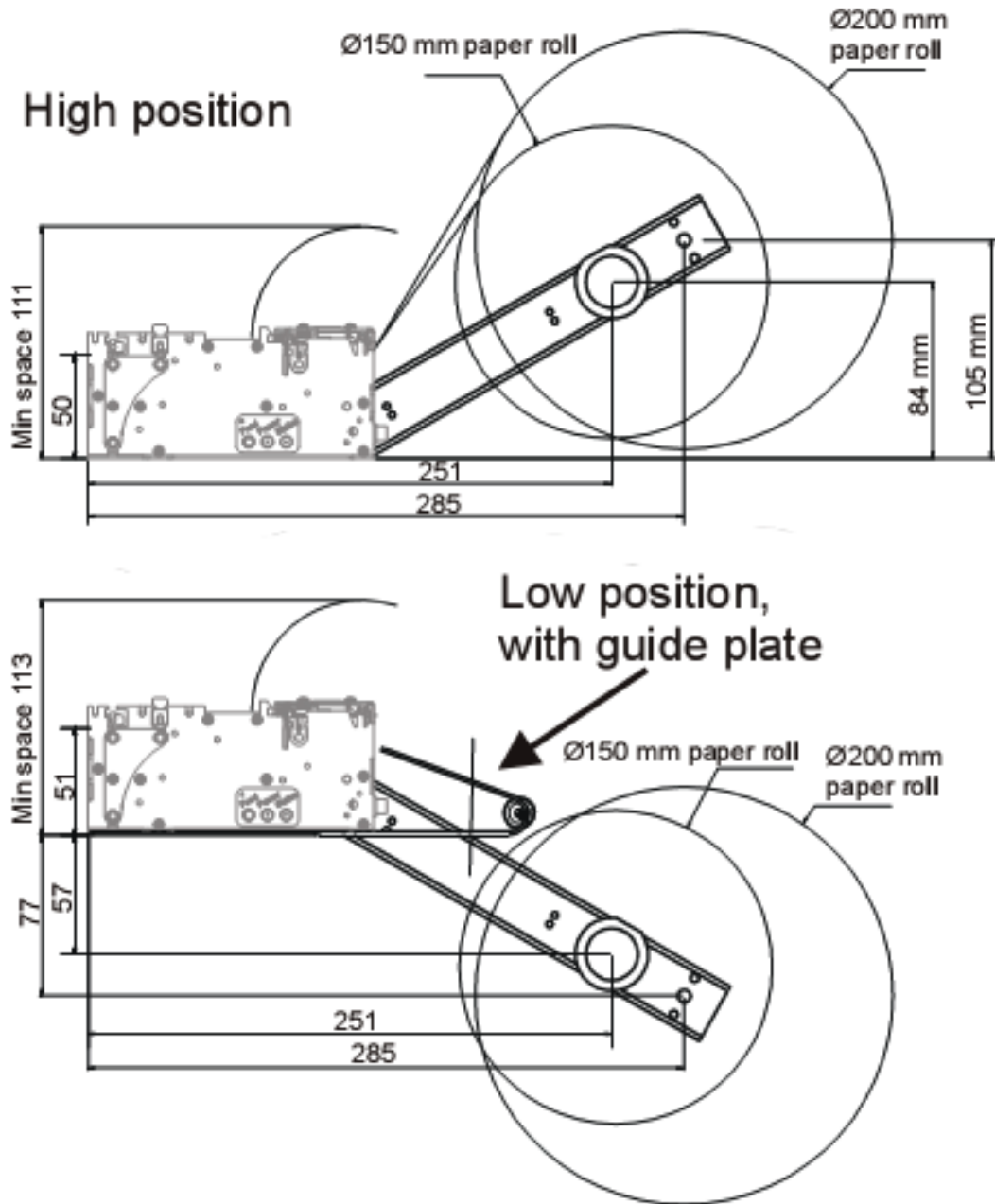


Figure 5. TTP2000 with roll holder in behind position. All measurements are in millimeters.

Measurement Summary

See diagrams for mounting locations

Measurements of printer (in millimeters)

TTP1000

TTP2000

Length [with Ø150mm paper loaded]

152.8 [316.3]

144 [326]

Height (Printhead open) [with Ø150mm paper]

122.3 (140.2) [140.2]

68 (110) [159]

Width

100

107

Paper Entrance

62.5

46

Paper Exit

49.5

50