

Migrating from TTP 5250/80 to TTP2000

Table of Contents

Introduction.....	2
TTP5250 Physical Dimensions & Mounting.....	2
TTP2000 Physical Dimensions and Mounting.....	4
Measurement Summary.....	5

Migrating from TTP 5250/80 to TTP2000

Introduction

When migrating from one Zebra Embedded/Kiosk printer to another, it is important to note the physical differences between the models. Though printers may look similar and have similar functions, there are differences in printer footprint, size, and mounting. This document illustrates the differences between the TTP5250 80mm width and the TTP2000 printers.

To use this document, note which printer width and roll holder you are currently using. Note the differences in such things as paper entrance height, paper exit height, mounting hole locations, and paper roll holder dimensions.

If, after reading this document, you have any questions about migrating to a new printer, please contact Zebra US Technical Support at

www.zebra.com/technicalsupport

TTP5250 Physical Dimensions & Mounting

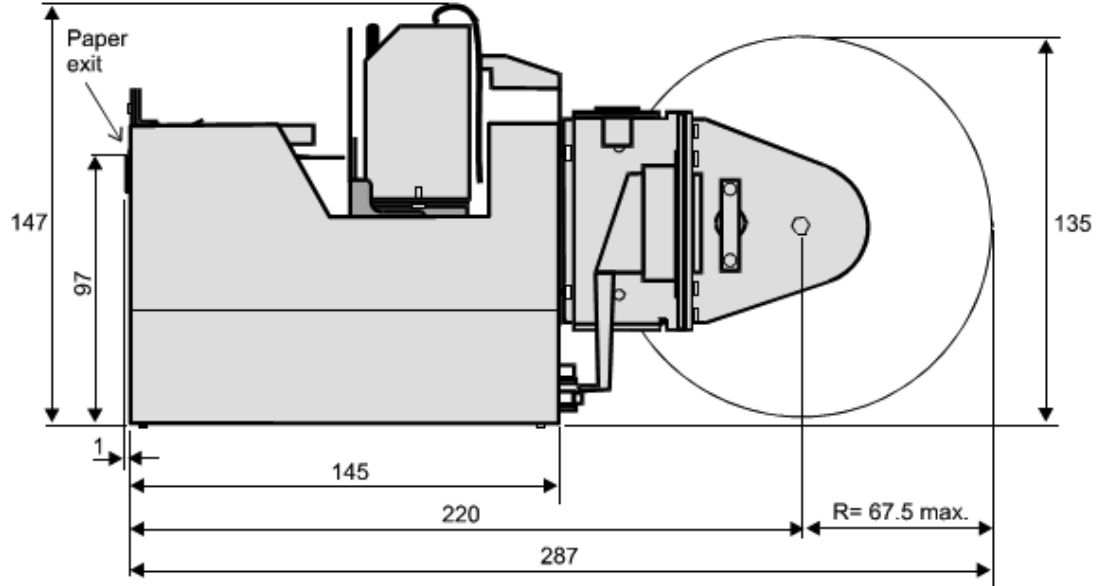
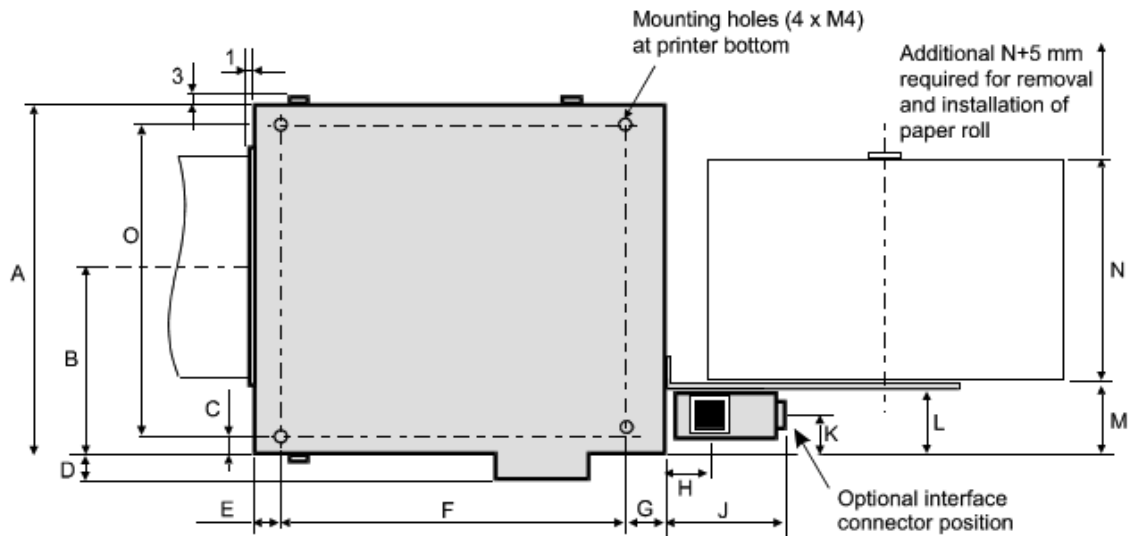


Figure 1. TTP52xx printer dimensions, side view. All measurements are in millimeters and apply to all basic TTP52xx models with paper rolls up to 135mm in diameter.

Migrating from TTP 5250/80 to TTP2000



	TTP 5200/60	TTP 5200/80	TTP 5200/112
A	128	128	160
B	67	67	83
C	7	7	16
D	-1	7	7
E	9	9	6
F	120	120	133
G	15	15	6
H	21	21	21
J	58	58	58
K	6	6	6
L	25	25	25
M	37	27	27
N	60	80	112
O	115	115	129

Figure 2. Printer mounting, bottom view. All measurements are in millimeters. The dimensions in this drawing apply to all basic TTP52xx models with paper rolls up to 135mm in diameter.

Migrating from

TTP 5250/80 to TTP2000

TTP2000 Physical Dimensions and Mounting

Use M3 screws for fastening printer
Max length = 4 mm inside printer

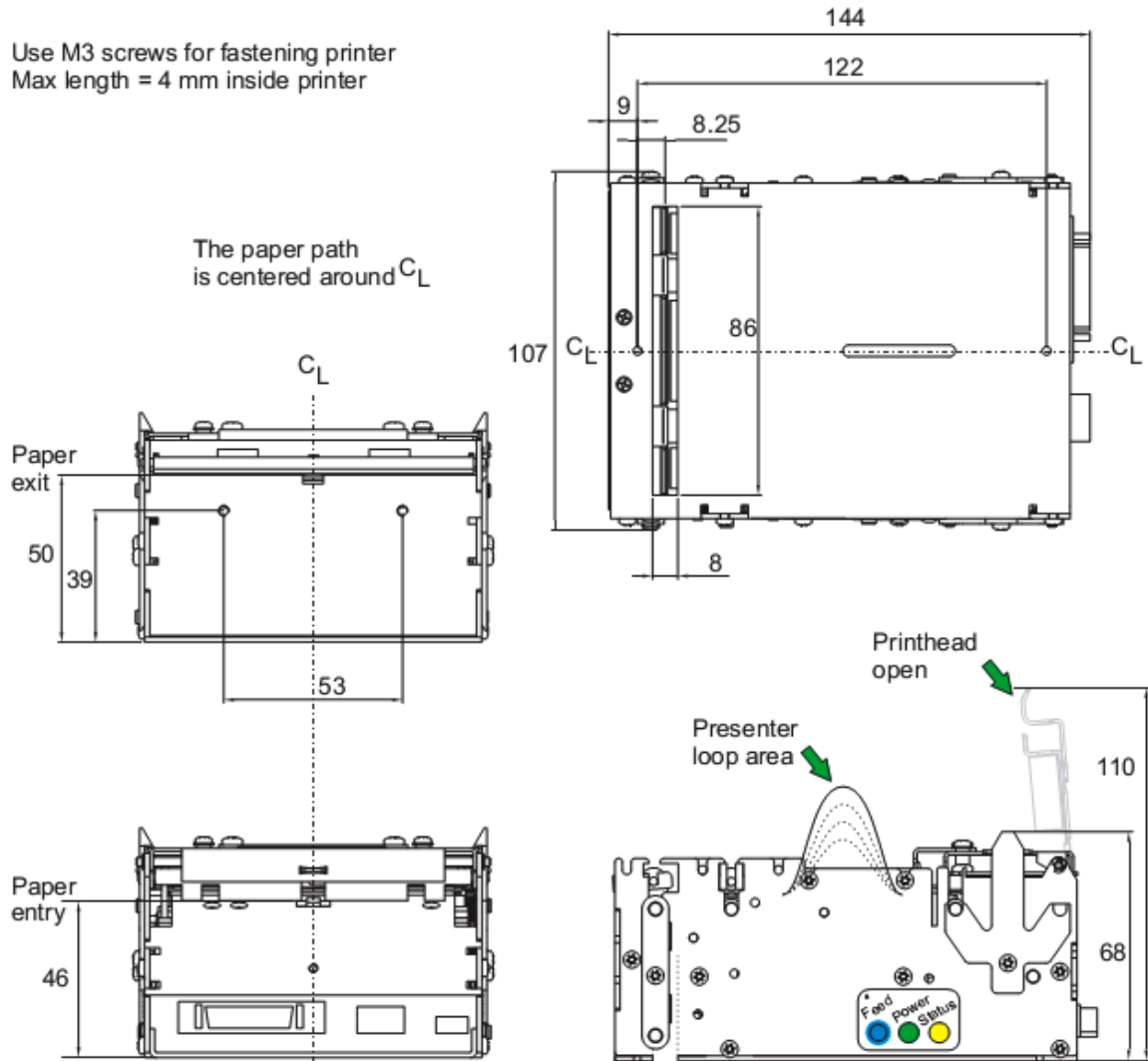


Figure 3. TTP2000 measurements. Clockwise: Front view, bottom view, side view, rear view.

**Migrating from
TTP 5250/80 to TTP2000**

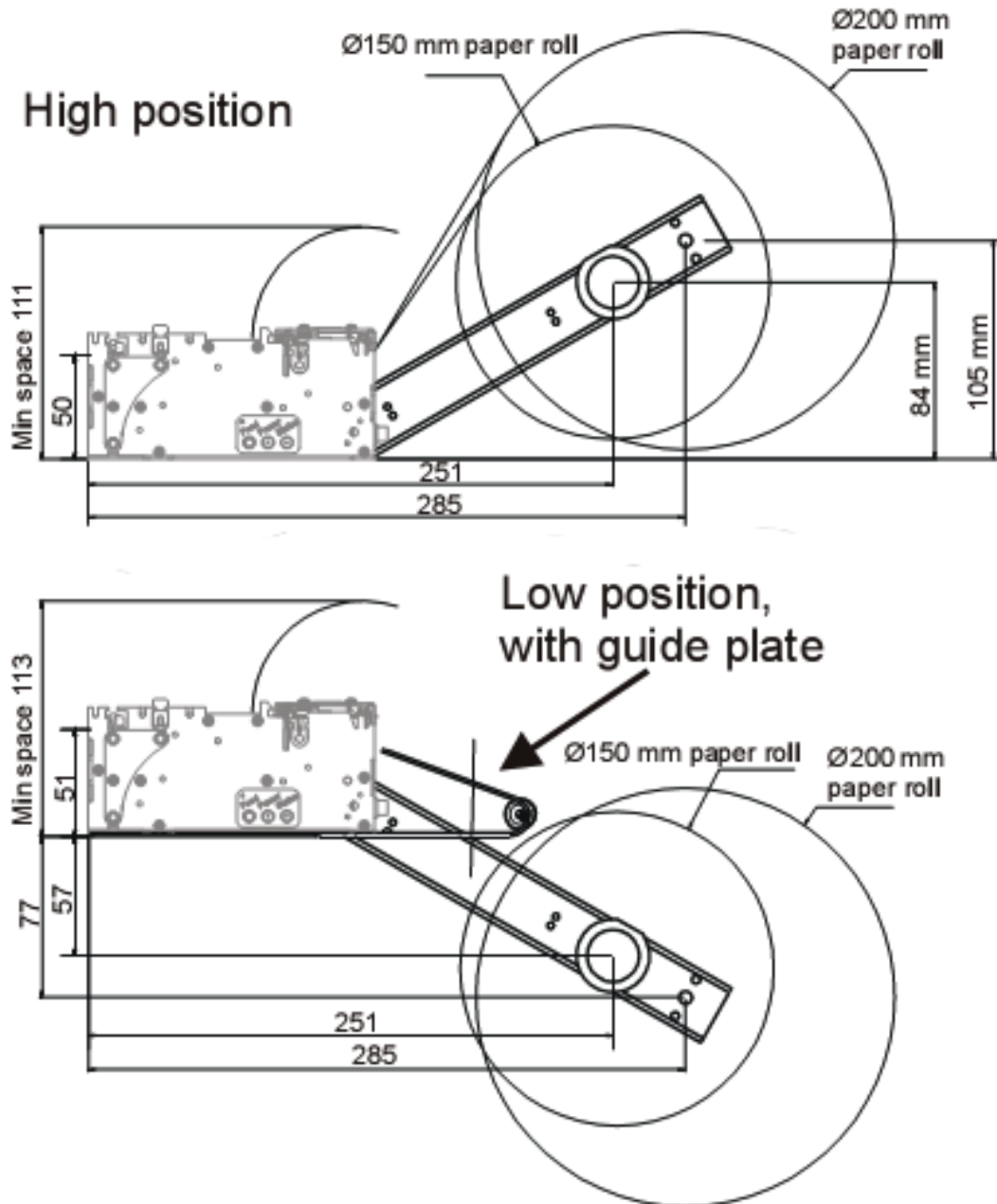


Figure 4. TTP2000 with roll holder in behind position. All measurements are in millimeters.

Measurement Summary

See diagrams for mounting locations

Measurements of printer (in millimeters) TTP5250 TTP2000

Length [with paper loaded, Ø135mm on 5250, Ø150mm on 2000] 220 [287] 144 [326]

Height (with printhead open) [with paper loaded, Ø135mm on 5250, Ø150mm on 2000] 147 (NA) [147] 68 (110) [159]

Width 141 107

Paper Entrance 114 46

Paper Exit 97 50