

# Migrating from TTP 5250/112 to TTP7030

## Table of Contents

Introduction.....	2
TTP5250 Physical Dimensions & Mounting.....	2
TTP7030 Physical Dimensions and Mounting.....	4
TTP7030 series, 112mm version.....	6
TTP7030 series, 80mm version.....	8
Measurement Summary.....	9

# Migrating from TTP 5250/112 to TTP7030

## Introduction

When migrating from one Zebra Embedded/Kiosk printer to another, it is important to note the physical differences between the models. Though printers may look similar and have similar functions, there are differences in printer footprint, size, and mounting. This document illustrates the differences between the TTP5250 and the TTP7030

printers.

To use this document, note which printer width and roll holder you are currently using. Note the differences in such things as paper entrance height, paper exit height, mounting hole locations, and paper roll holder dimensions.

If, after reading this document, you have any questions about migrating to a new printer, please contact Zebra US Technical Support at [www.zebra.com/technicalsupport](http://www.zebra.com/technicalsupport)

# TTP5250 Physical Dimensions & Mounting

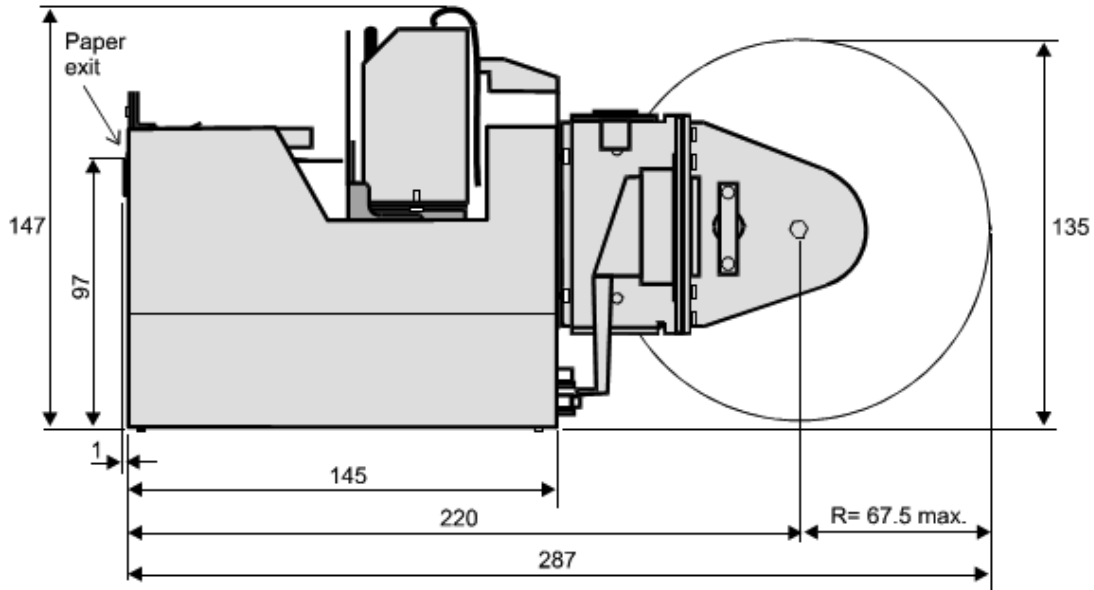
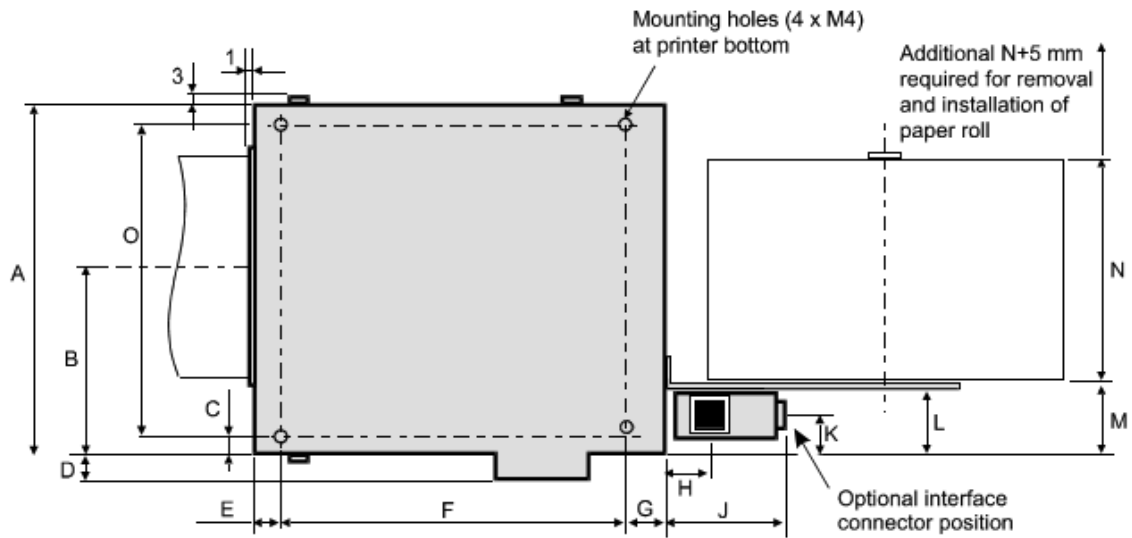


Figure 1. TTP52xx printer dimensions, side view. All measurements are in millimeters and apply to all basic TTP52xx models with paper rolls up to 135mm in diameter.

## Migrating from TTP 5250/112 to TTP7030



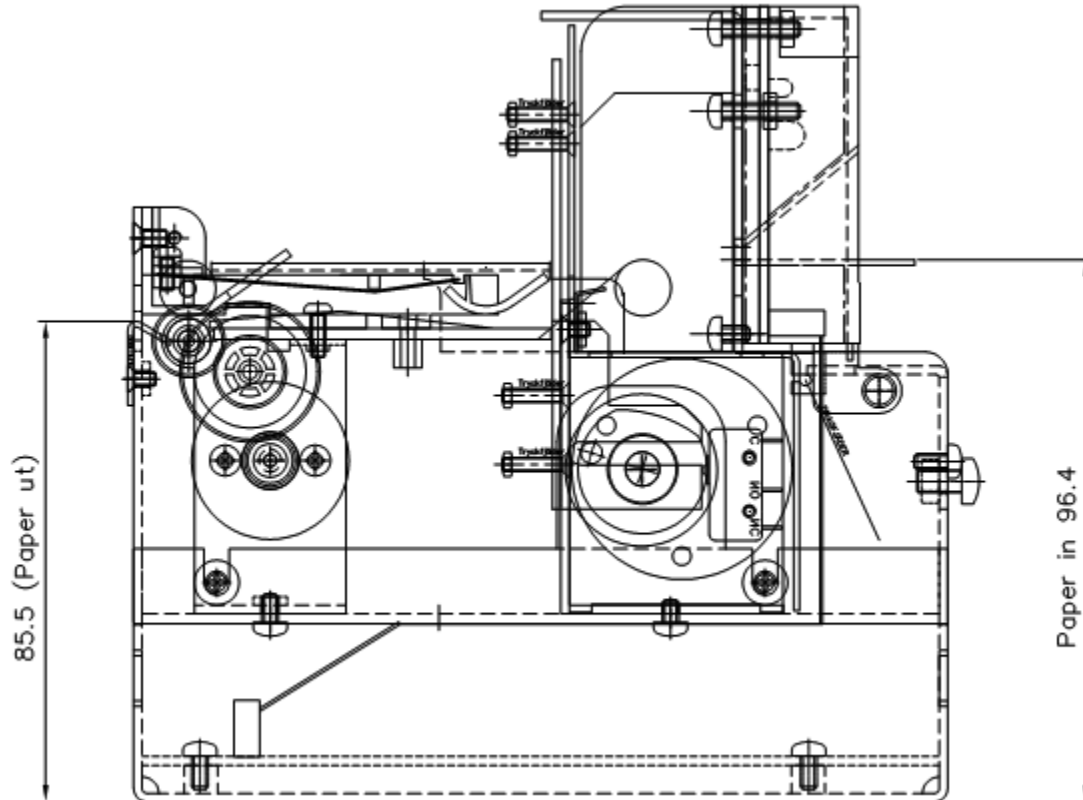
	<b>TTP 5200/60</b>	<b>TTP 5200/80</b>	<b>TTP 5200/112</b>
<b>A</b>	128	128	160
<b>B</b>	67	67	83
<b>C</b>	7	7	16
<b>D</b>	-1	7	7
<b>E</b>	9	9	6
<b>F</b>	120	120	133
<b>G</b>	15	15	6
<b>H</b>	21	21	21
<b>J</b>	58	58	58
<b>K</b>	6	6	6
<b>L</b>	25	25	25
<b>M</b>	37	27	27
<b>N</b>	60	80	112
<b>O</b>	115	115	129

*Figure 2. Printer mounting, bottom view. All measurements are in millimeters. The dimensions in this drawing apply to all basic TTP52xx models with paper rolls up to 135mm in diameter.*

## Migrating from

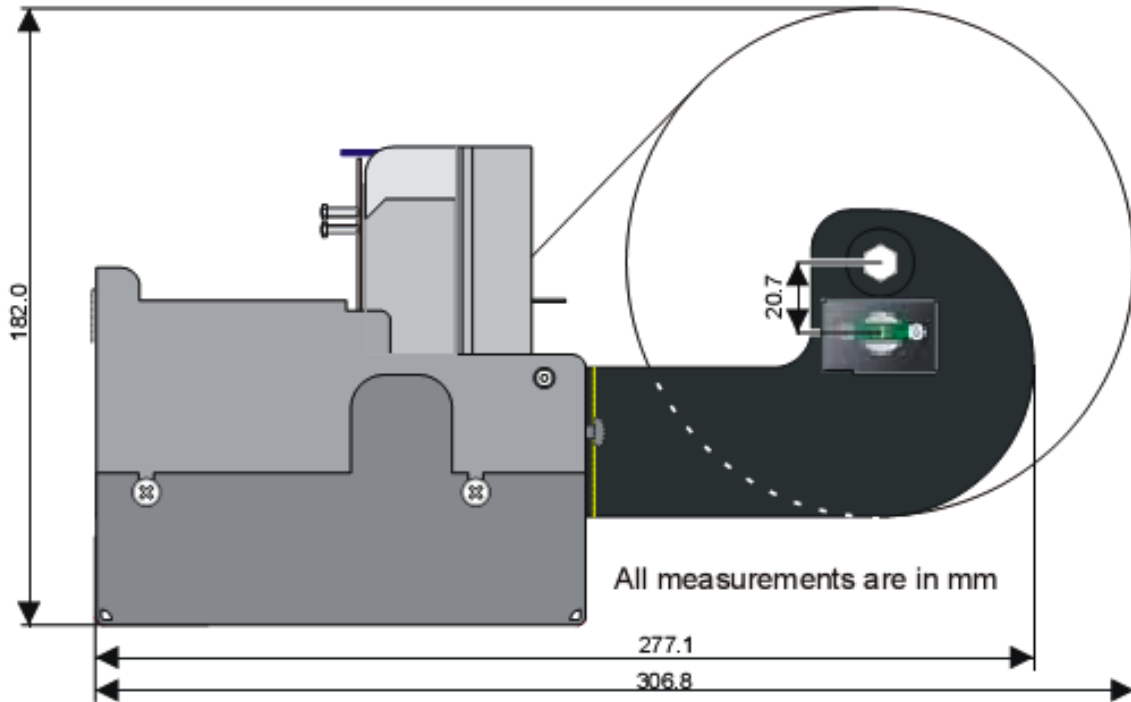
## TTP 5250/112 to TTP7030

## TTP7030 Physical Dimensions and Mounting



*Figure 3. Paper input / output locations, side view. All measurements are in millimeters and apply to all TTP7000 series models.*

**Migrating from  
TTP 5250/112 to TTP7030**



*Figure 4. TTP7000 series, side view, with 150mm roll holder behind.*

## Migrating from

## TTP 5250/112 to TTP7030

### TTP7030 series, 112mm version

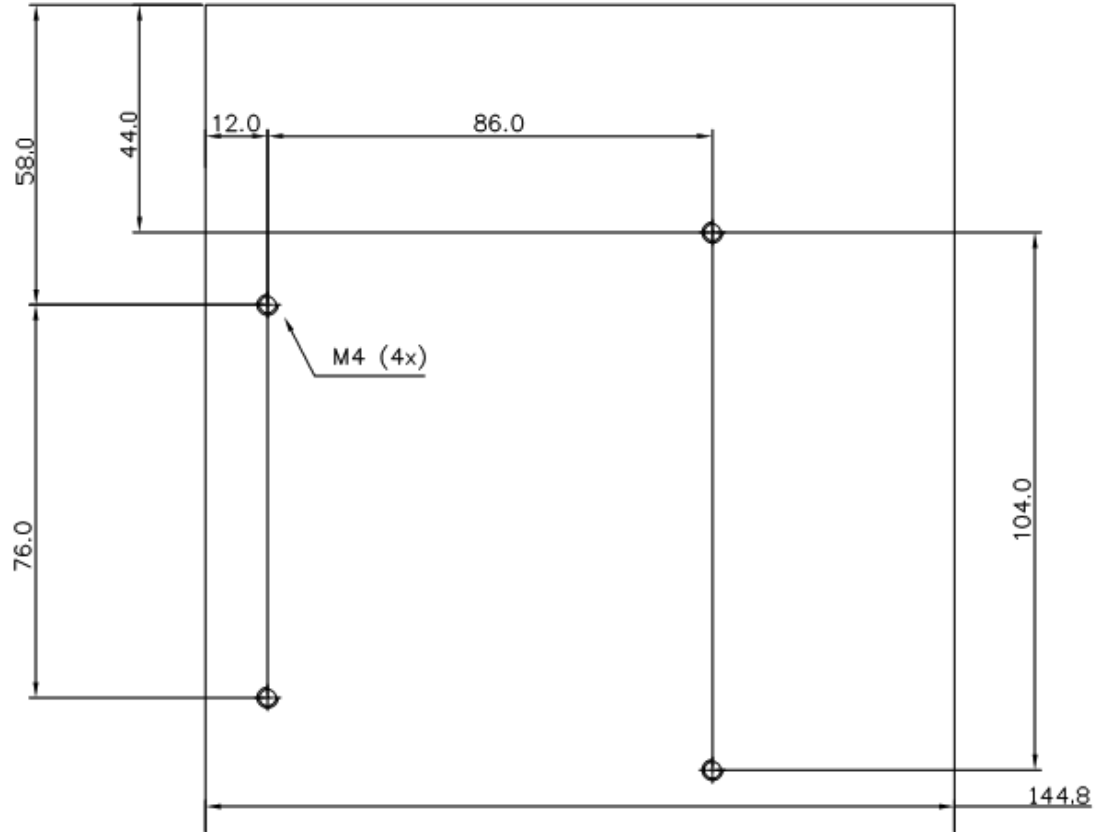
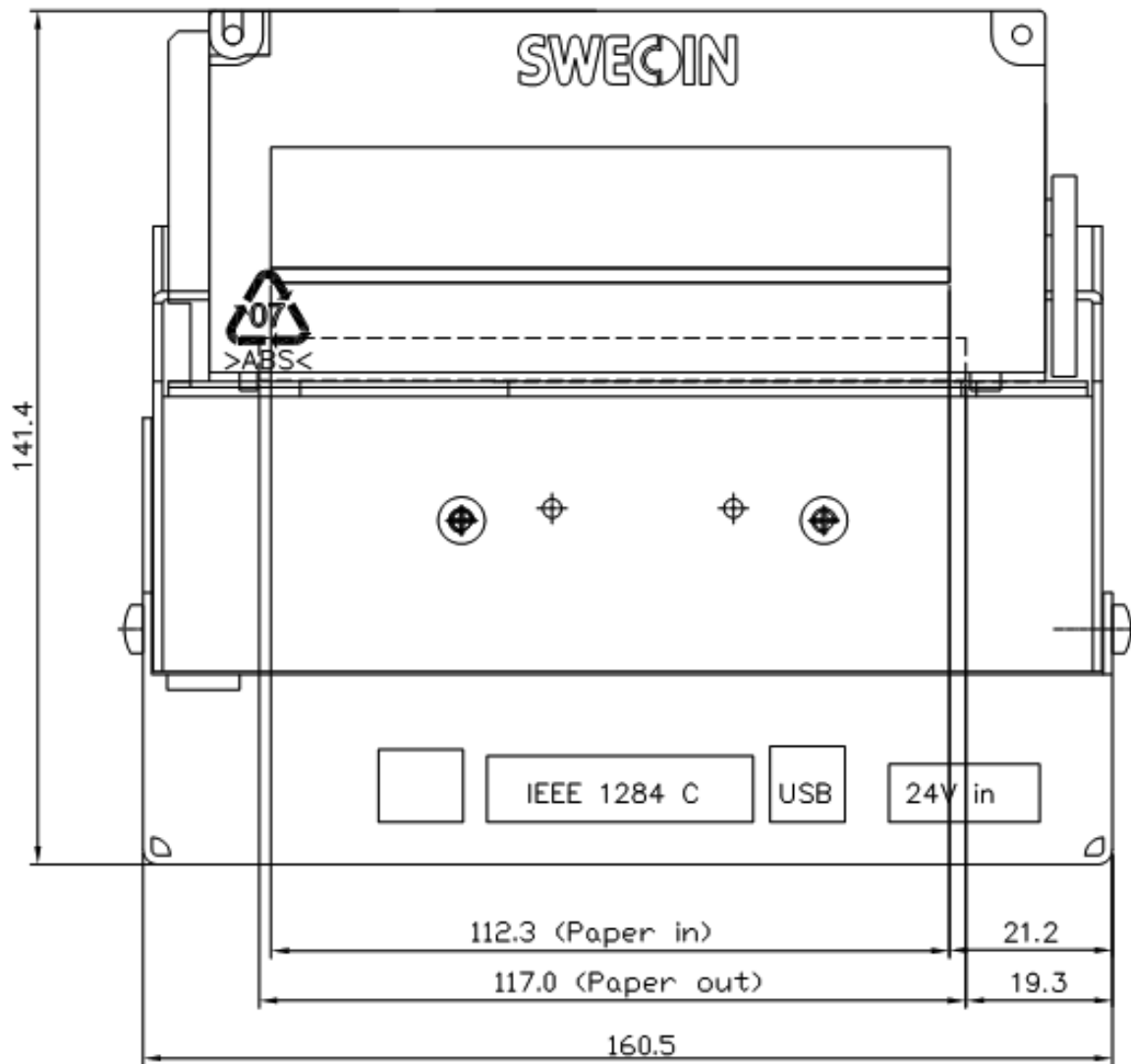


Figure 5. Mounting holes. TTP7000 series, **112mm width**, bottom view. The front of the printer (paper exit) is to the left. Note that the mounting holes are not centered in the baseplate of the printer. All measurements are in millimeters and apply only to the 112mm width version.

**Migrating from  
TTP 5250/112 to TTP7030**

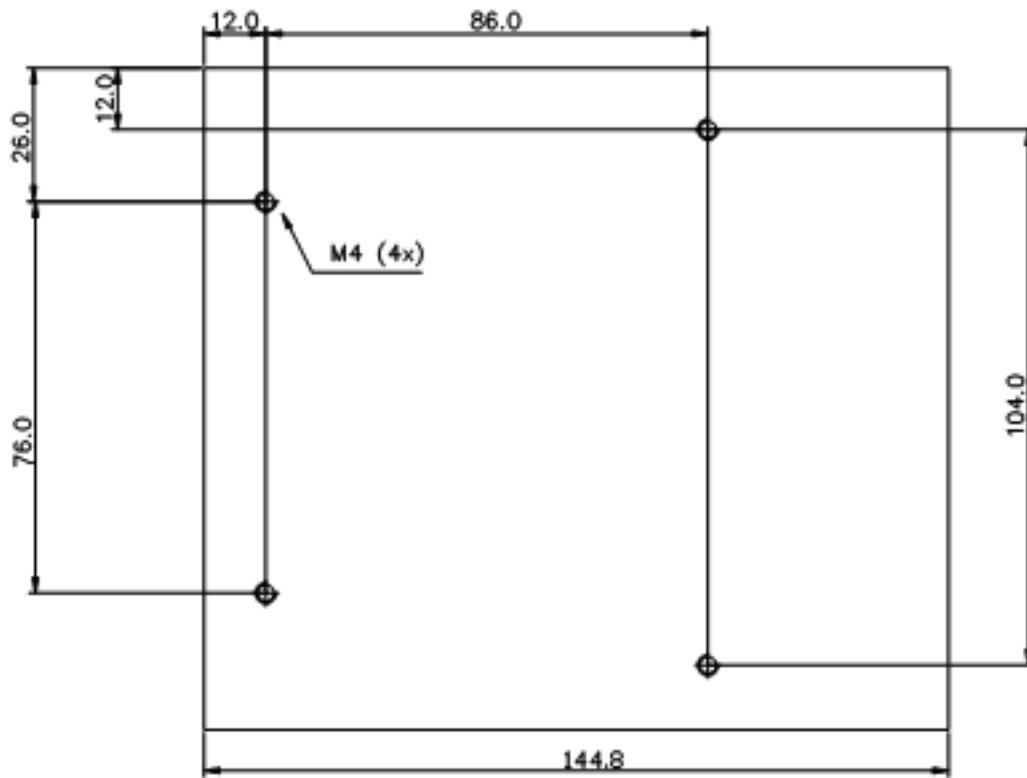


*Figure 6. TTP7000 series, 112mm width, rear view. All measurements are in millimeters and apply only to the 112mm width version.*

## Migrating from

## TTP 5250/112 to TTP7030

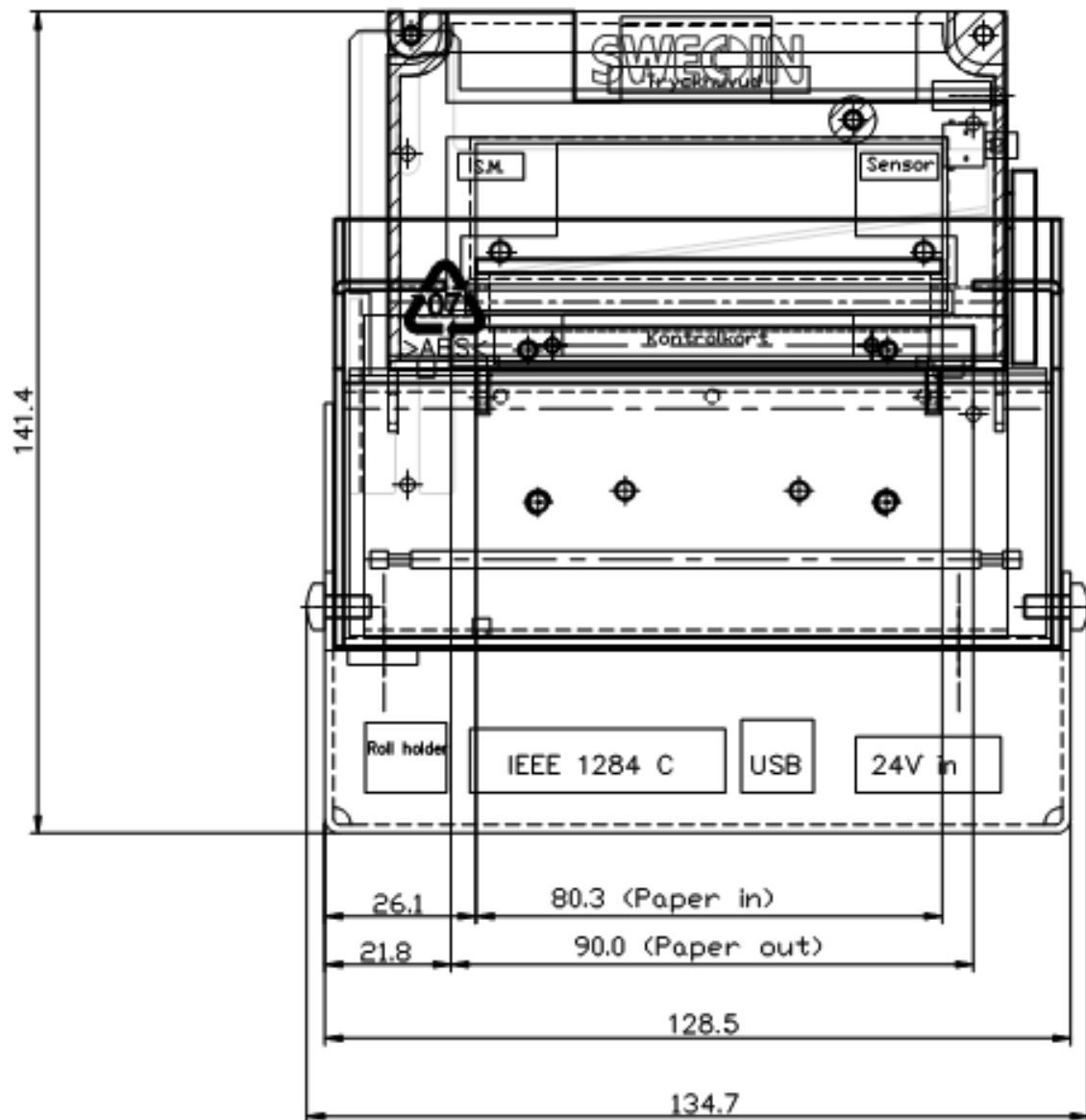
*TTP7030 series, 80mm version*



*Figure 7. Mounting holes. TTP7000 series, 80mm width, bottom view. The front of the printer (paper exit) is to the left. All measurements are in millimeters and apply only to the 80mm width version.*



**Migrating from  
TTP 5250/112 to TTP7030**



*Figure 8. TTP7000 series, 80mm width, rear view. All measurements are in millimeters and apply only to the 80mm width version.*

## Measurement Summary

See diagrams for mounting locations

### ***Measurements of printer (in millimeters) TTP5250 TTP7030***

**Length** [with paper loaded, Ø135mm on 5250, Ø150mm on 7030] 220 [287]  
144.8 [306.8]

**Height** [with paper loaded, Ø135mm on 5250, Ø150mm on 7030] 147 [147] 141  
[182]

**Width 80mm version** [112mm version] 141 [173] 134.7 [160.5]

**Paper Entrance** 114 96.4

**Paper Exit** 97 85.5