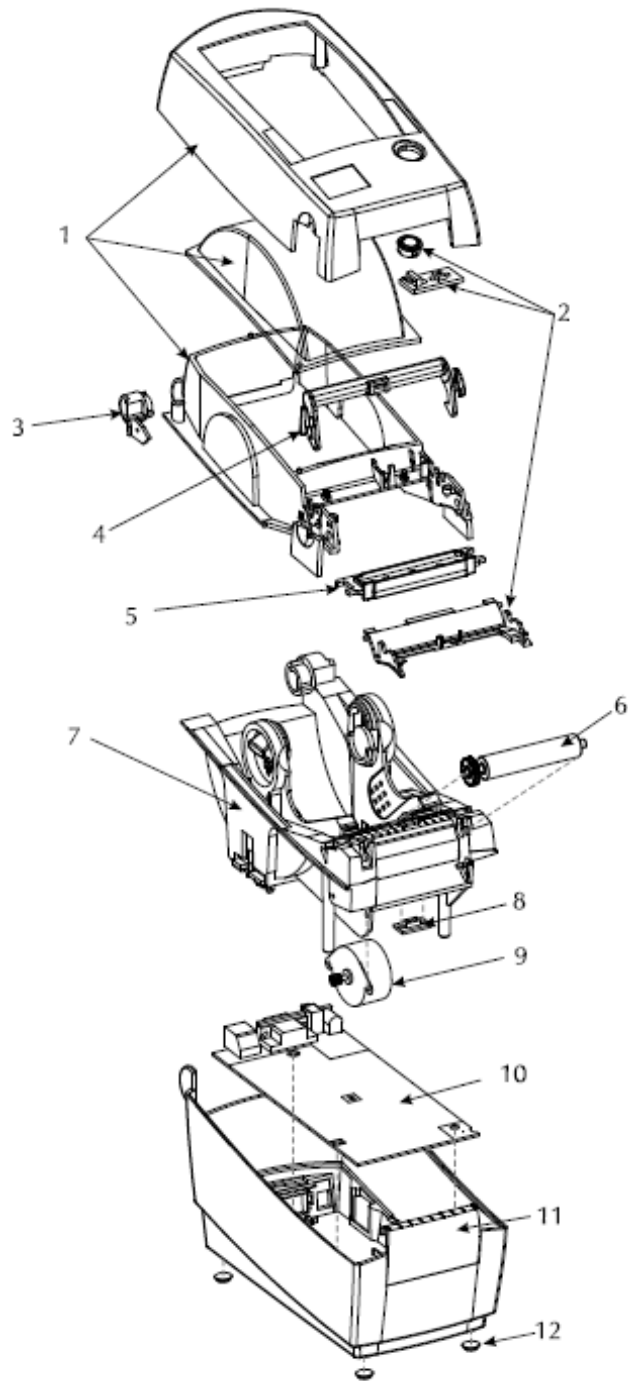


LP 2824 Plus



## LP 2824 Plus

Item #	Description	Part Number
1	Housing Cover Assy.	P1012845-001
2	Feed Switch/Sensor Assy.	G105910-145
3	Cover Hinge (set of 10)	G105910-179
4	Latch Assy.	G105910-178
5	Printhead Assy., LP2824 (203 dpi)	G105910-102
6	Platen, LP2824 Std.	105910-107
	Platen, LinerFree	105910-106
7	Frame Assy. w/o Platen	G105910-112
	Head Up Sensor	P1012845-003
8	Gap/Blackline Sensor PCBA (set of 3)	P1012845-002
9	Motor, Assy.	G105910-108
10	Main Control PCBA, std. Ser./USB	P1012845-018
	Main Control PCBA, Ser./USB/Cutter	P1012845-019
	Main Control PCBA, std. Par.	P1012845-020
	Main Control PCBA, Par. /Cutter	P1012845-021
	Main Control PCBA, std. USB/Ethernet	P1012845-022
	Main Control PCBA, USB/Ethernet/Cutter	P1012845-023
	Main Control PCBA, Ser./USB/XMEM	P1112845-024
	Main Control PCBA, Ser./USB/Cutter/XMEM	P1012845-025
	Main Control PCBA, Par. /XMEM	P1012845-026
	Main Control PCBA, Par. /Cutter/XMEM	P1012845-027
	Main Control PCBA, USB/Ethernet/XMEM	P1012845-028
	Main Control PCBA, USB/Ethernet/Cutter/XMEM	P1012845-029
	Real Time Clock Battery	P1012845-009
Real Time Clock / Date PCBA	P1012845-010	
11	Front Bezel, LP2824 (set of 3)	105910-164
12	Rubber Foot Kit (set of 24)	105910-007
Not Shown	Power Supply, 100V-240V (C5) with US Cord (200dpi)	P1012845-011
	Power Supply, 100V-240V (C5) with UK & EUR Cords (200dpi)	105950-076
	Power Cord, U.S. 120V, IEC320C5 (set of 5)	105950-061
	Power Cord, Euro 220V, IEC320C5 (set of 5)	105950-062
	Power Cord, U.K. 240V, IEC320C5 (set of 5)	105950-063
	Power Cord, Australia 240V, IEC320C5 (set of 5)	105950-064
	Power Cord, China 220V, IEC320C5 (set of 5)	105950-065
	Power Cord, Argentina 220V, IEC320C5 (set of 5)	105950-066
	Power Cord, Japan 125V, IEC320C5 (set of 5)	105950-077
	Dispenser Option	P1012845-004
	Cutter Replacement Kit, LP2824P	P1012845-007
	Shipping Pack – Packaging for shipping the printer LP2824P	P1012845-005
	CD-ROM, Desktop Printers Software & Documentation	P1012845-008
	CD-ROM, Service Documentation	P1012845-012