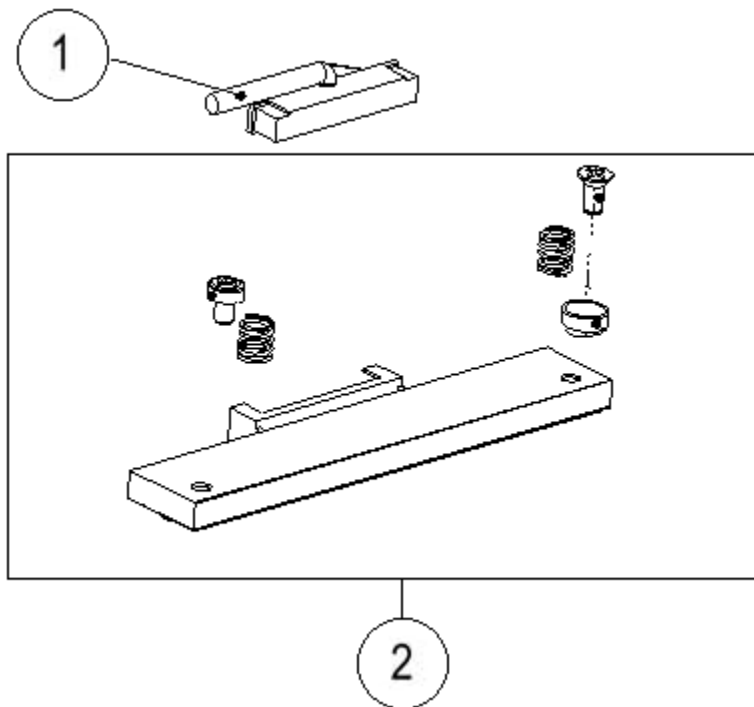




Zebra® TTP 2100 Kiosk Printer

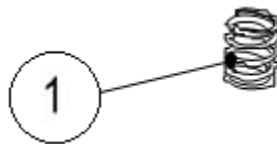
Spare Parts Catalog

Printhead & Cable



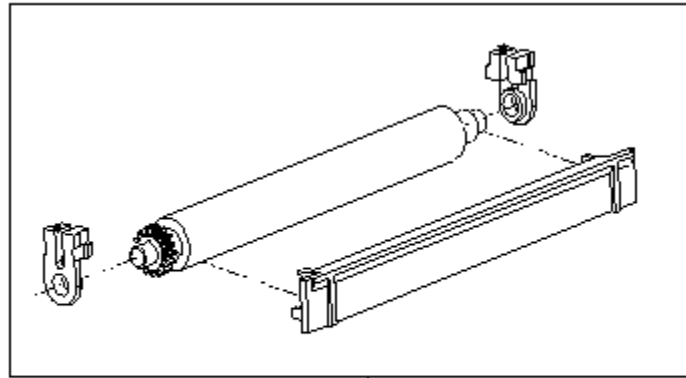
Item Number	Description	Part Number	Kit Quantity
1	Kit Printhead Cable TTP21x0	P1029257-002	3
2	Kit Printhead TTP21x0	P1029257-001	1

Printhead Springs



Item Number	Description	Part Number	Kit Quantity
1	Kit Printhead Springs TTP21X0	P1029257-011	6

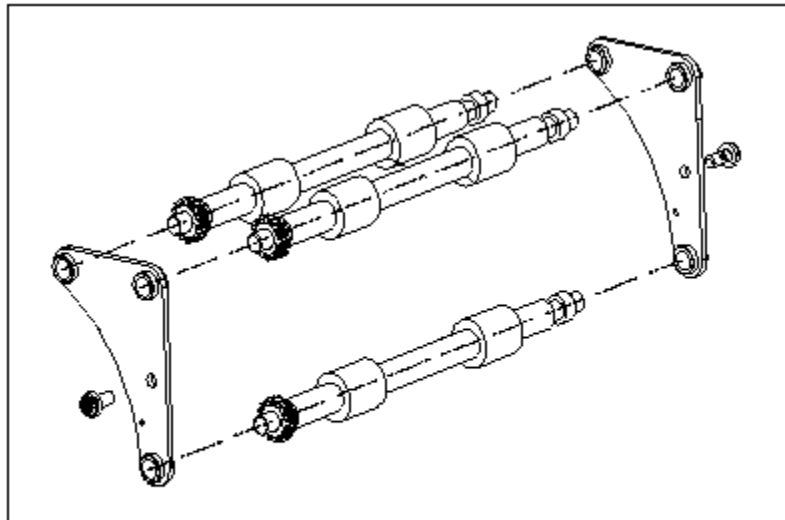
Platen Roller



1

Item Number	Description	Part Number	Kit Quantity
1	Kit Platen Roller TTP2100 Series	P1056793	3

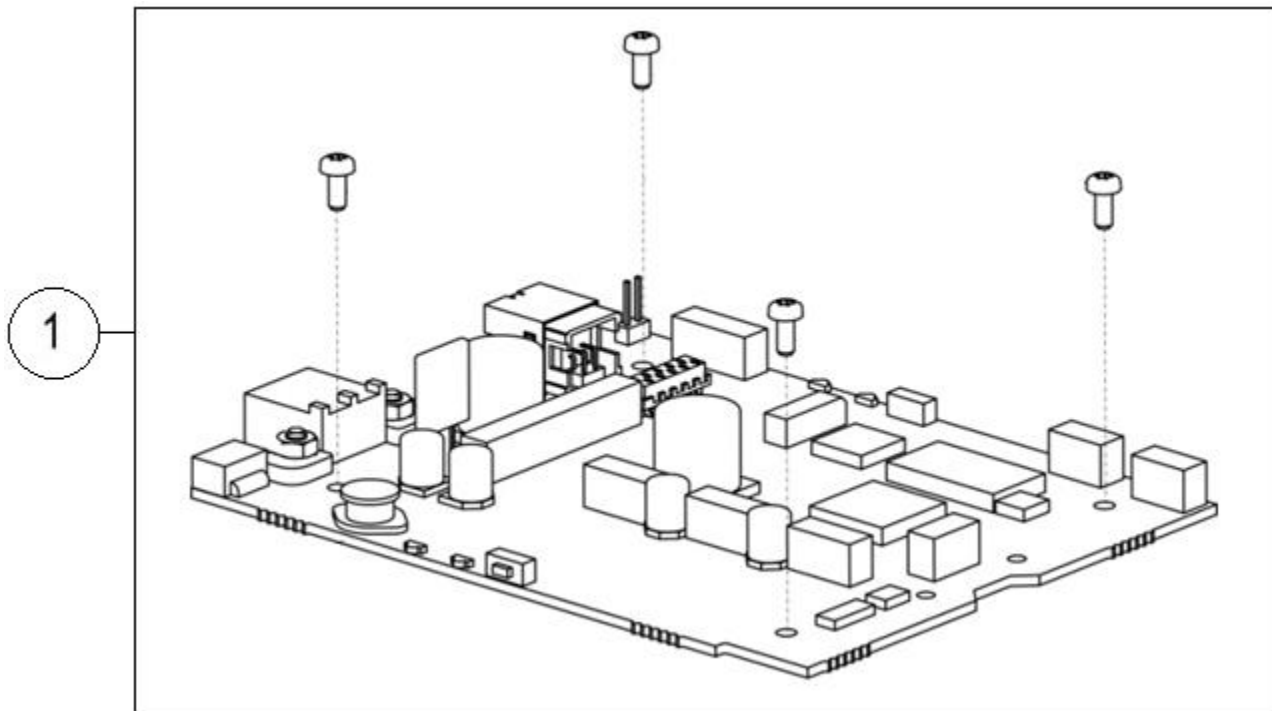
Feed Rollers



1

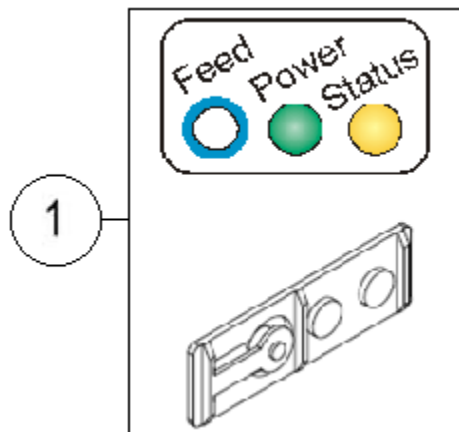
Item Number	Description	Part Number	Kit Quantity
1	Kit Feed Rollers TTP2XX0/KR403	P1015409	1

Main Logic Board



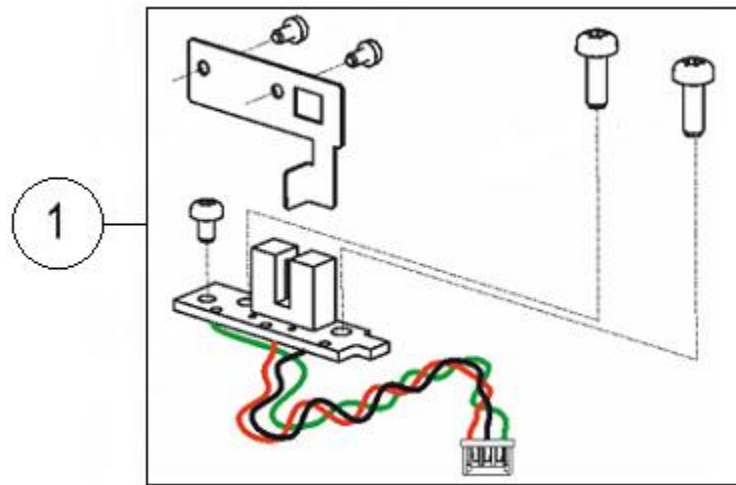
Item Number	Description	Part Number	Kit Quantity
1	Kit Main Logic Board TTP2110 (Serial)	P1029257-004	1
	Kit Main Logic Board TTP2130 (USB)	P1029257-105	1

Control Panel



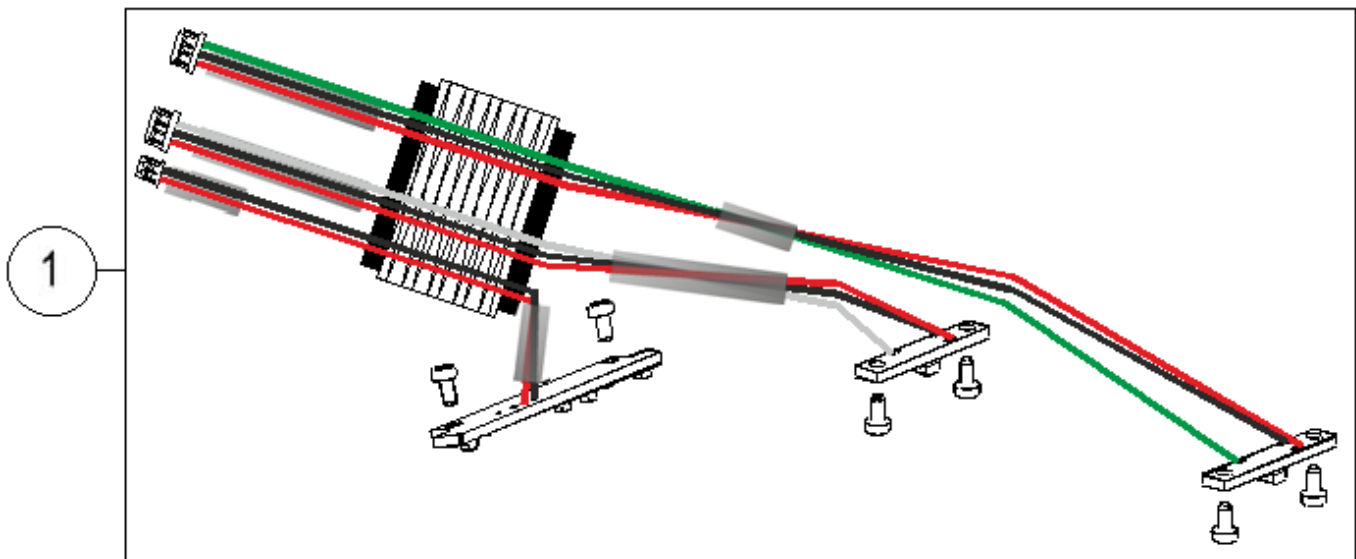
Item Number	Description	Part Number	Kit Quantity
1	Kit Control Panel L&R	P1014144	3

Fork Opto (Head Open) Sensor



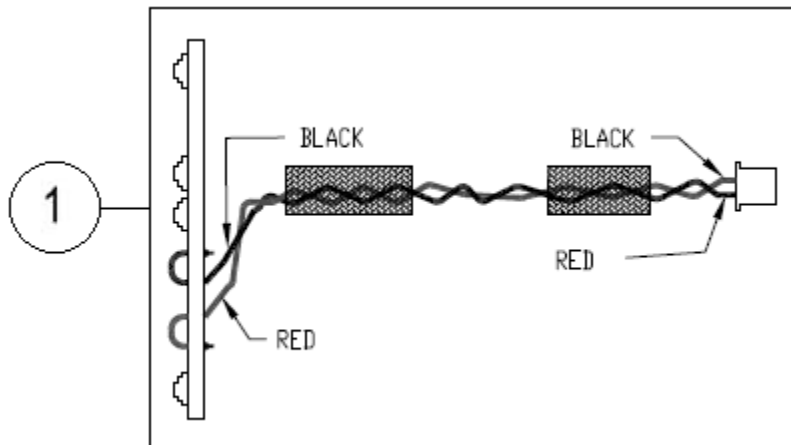
Item Number	Description	Part Number	Kit Quantity
1	Kit Fork OPTO Sensor TTP21X0	P1029257-003	1

SPI Cable and Media Sensor



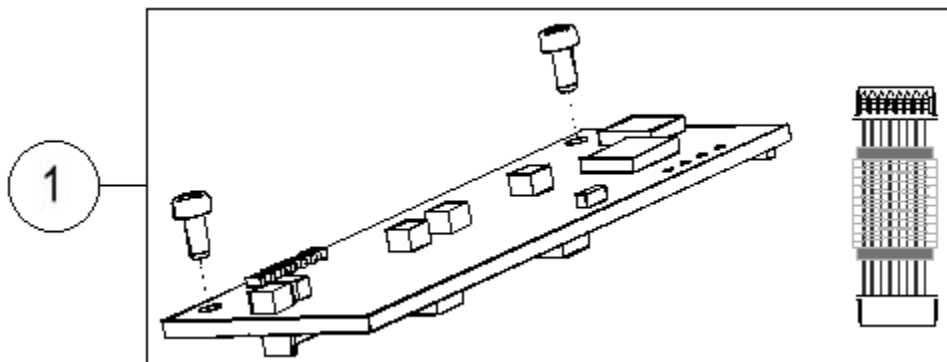
Item Number	Description	Part Number	Kit Quantity
1	Kit Cable SPI Media Sensor - printers with serial numbers greater than 93J115000001	P1029257-007	1
	Kit Cable SPI Media Sensor Legacy - printers with serial numbers less than 2-1205-39563	P1029257-018	1

Upper SPI Sensor



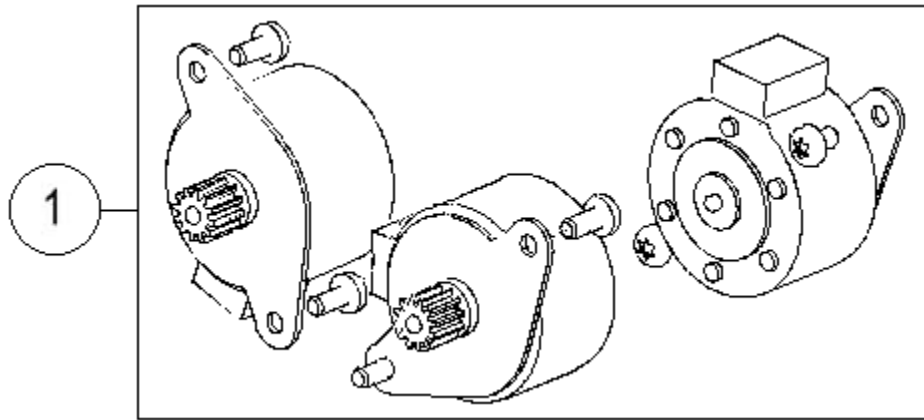
Item Number	Description	Part Number	Kit Quantity
1	Kit Upper SPI Sensor TTP21X0	P1029257-012	1

Lower SPI Sensor



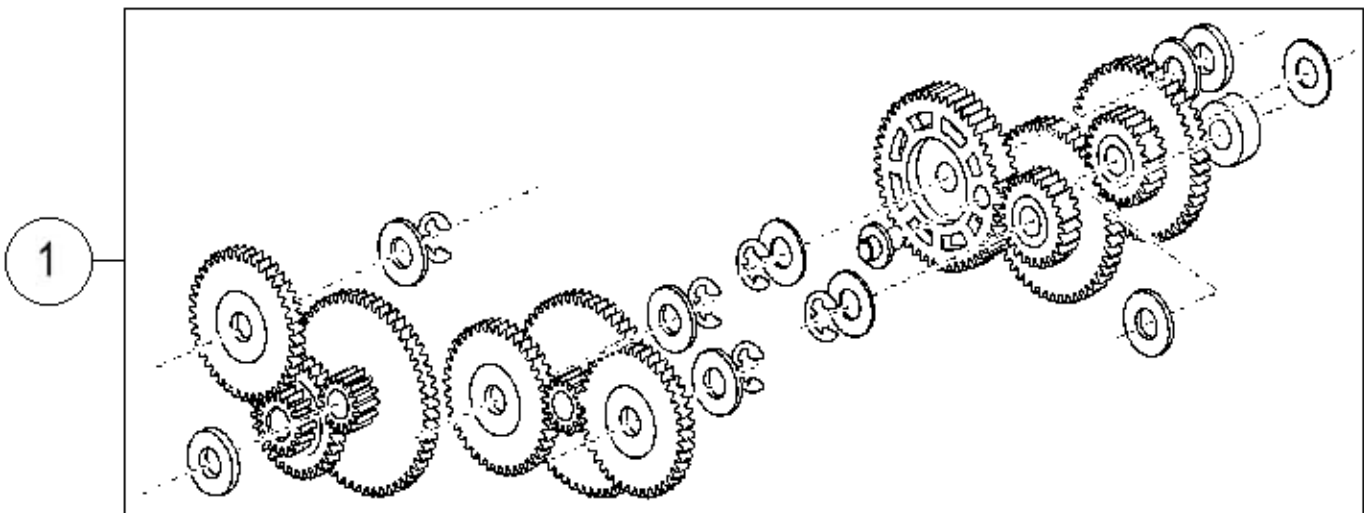
Item Number	Description	Part Number	Kit Quantity
1	Kit Lower SPI Sensor TTP21X0	P1029257-008	1

Drive Motors



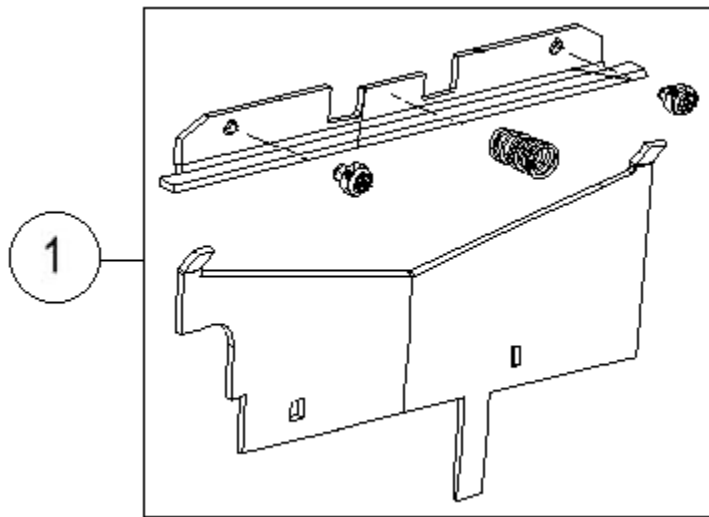
Item Number	Description	Part Number	Kit Quantity
1	Kit Drive Motors TTP21X0	P1029257-006	1

Drive Gears



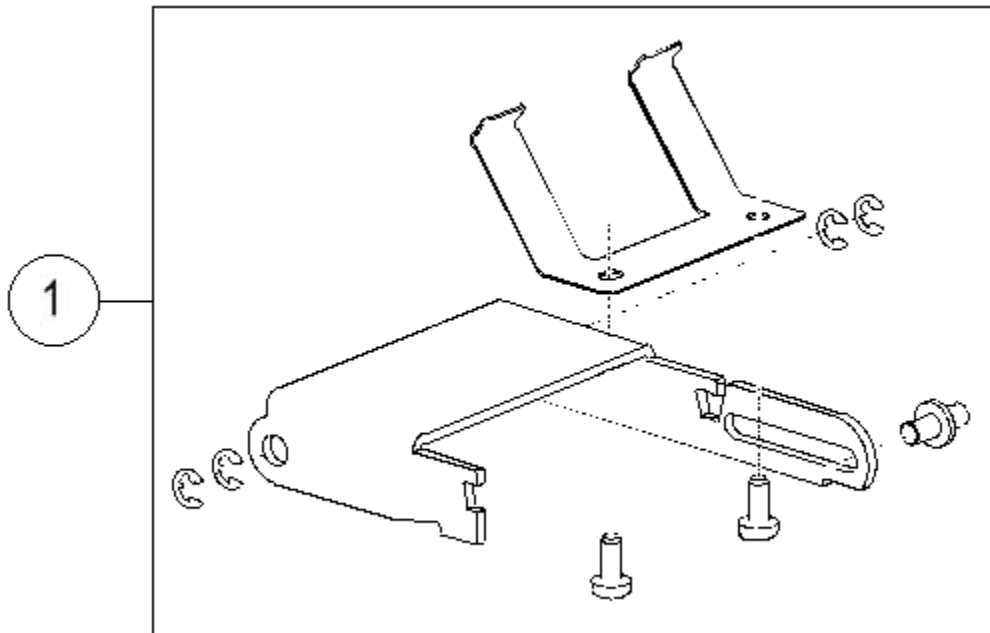
Item Number	Description	Part Number	Kit Quantity
1	Kit Drive Gears TTP21X0	P1029257-010	1

Cutter Blades



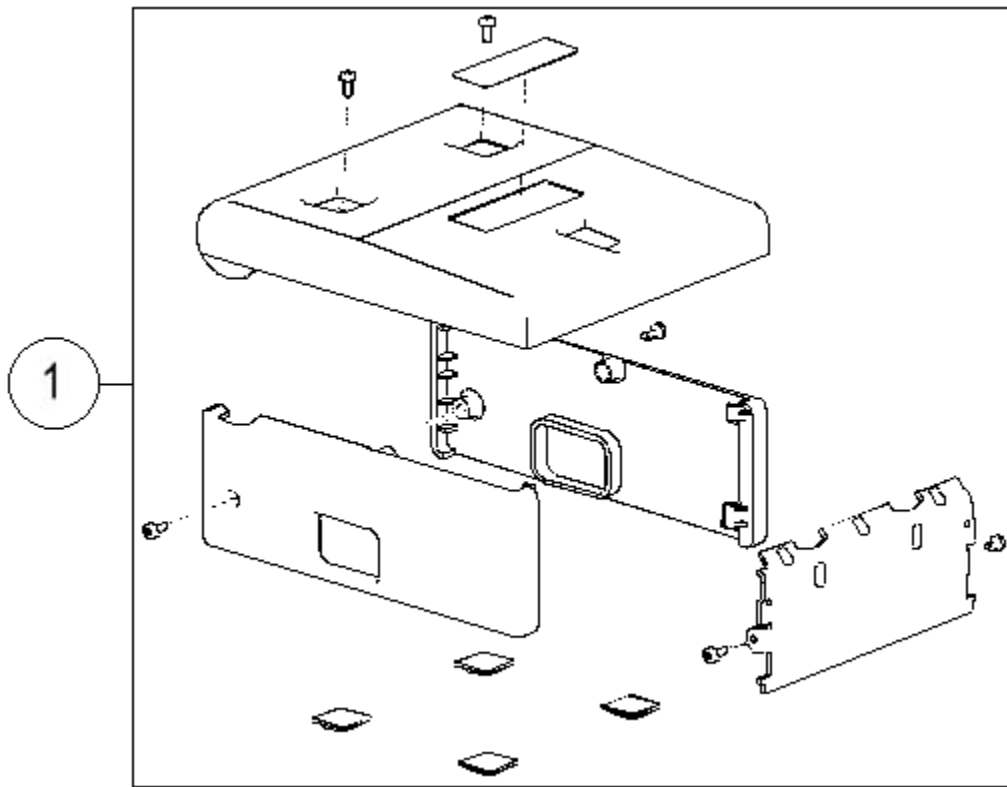
Item Number	Description	Part Number	Kit Quantity
1	Kit Cutter Blades TTP2XX0/KR403	P1014133	1

Cutter Linkage



Item Number	Description	Part Number	Kit Quantity
1	Kit Cutter Link/Spring	P1029257-015	1

Desktop Covers with Feet



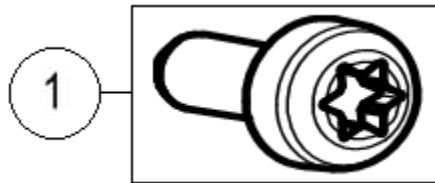
Item Number	Description	Part Number	Kit Quantity
1	Kit Desktop Cover and Feet	P1029257-014	1

Packaging Material

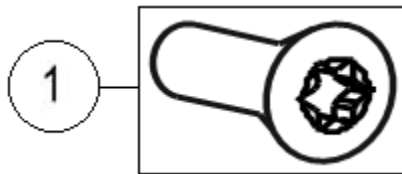


Item Number	Description	Part Number	Kit Quantity
1	Kit Packaging TTP2XX0	P1014148	1

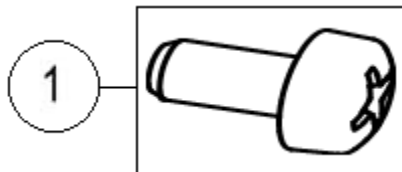
Screws



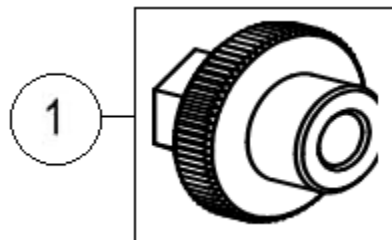
Item Number	Description	Part Number	Kit Quantity
1	Kit Screw M2.5 X 6 TTP/KR QTY 30	P1014147	30



Item Number	Description	Part Number	Kit Quantity
1	Kit Screw M2.5 X 6 FL HD TTP/KR QTY 30	P1029257-013	30



Item Number	Description	Part Number	Kit Quantity
1	Kit Screw M2X4 PN PH ZN TTP/KR QTY 30	P1029257-016	30



Item Number	Description	Part Number	Kit Quantity
1	Kit Knurled Media Guide Nut M2.5 TTP21X0	P1029257-017	5