



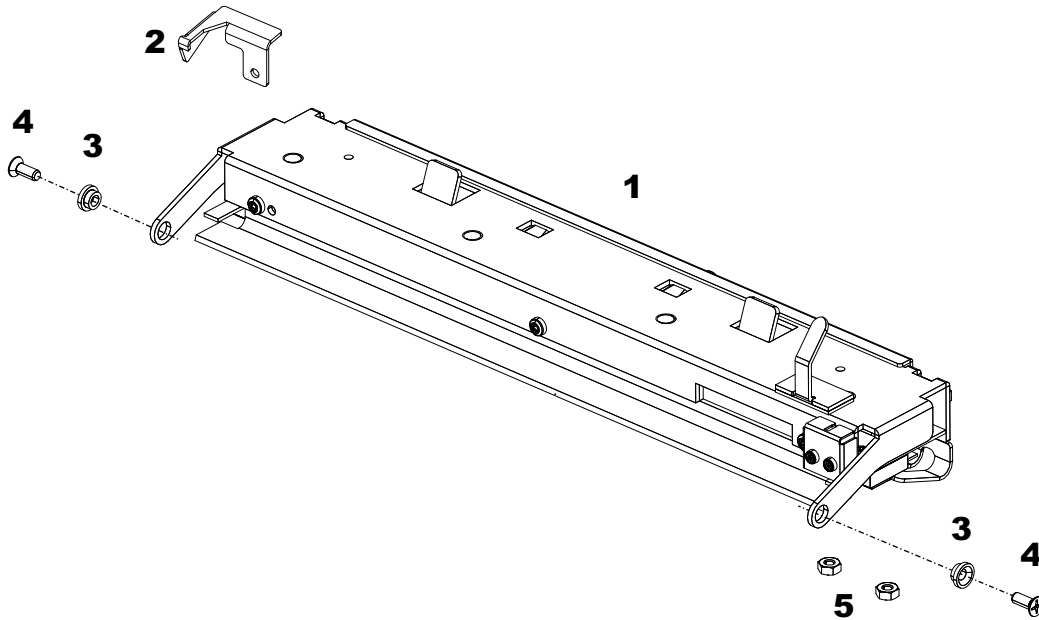
Zebra® TTP 8000 Series

Kiosk Receipt Printer

Parts Catalog

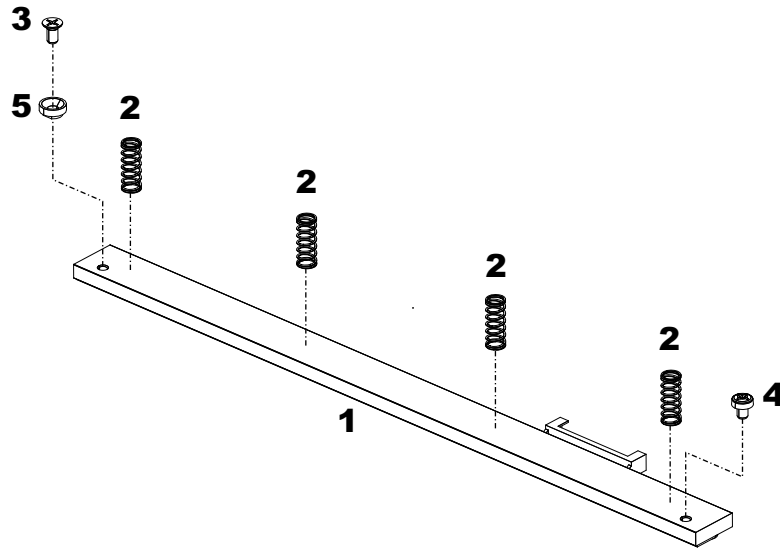


Printhead Assembly Kit



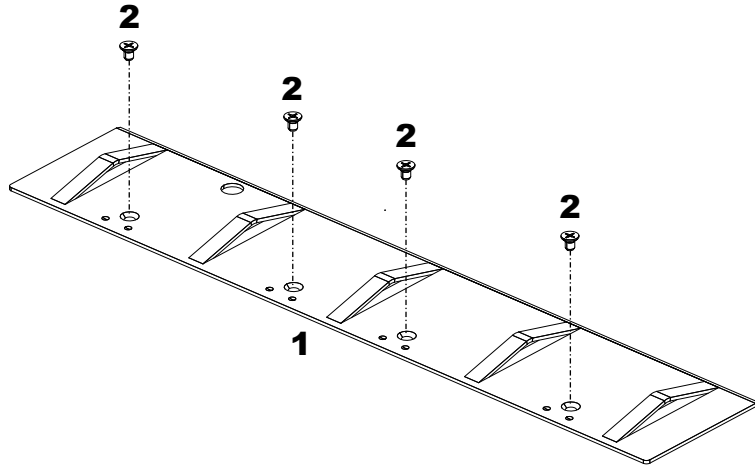
ITEM NUMBER	DESCRIPTION	QUANTITY
TTP 8200 – P1022237-001		
1	Printhead Assy, TTP 8200	1
2	Stopper	1
3	Hub RD 7 x 3 x 5 x 1.8	2
4	Screw M3 x 8 FL PH ZN	2
5	Nut M3 HX ZN	2
Not Shown	Label, Zebra	1
Not Shown	Label, Open/Lock	2
TTP 8300 – P1022237-002		
1	Printhead Assy, TTP 8300	1
2	Stopper	1
3	Hub RD 7 x 3 x 5 x 1.8	2
4	Screw M3 x 8 FL PH ZN	2
5	Nut M3 HX ZN	2
Not Shown	Label, Zebra	1
Not Shown	Label, Open/Lock	2

Thermal Printhead Kit



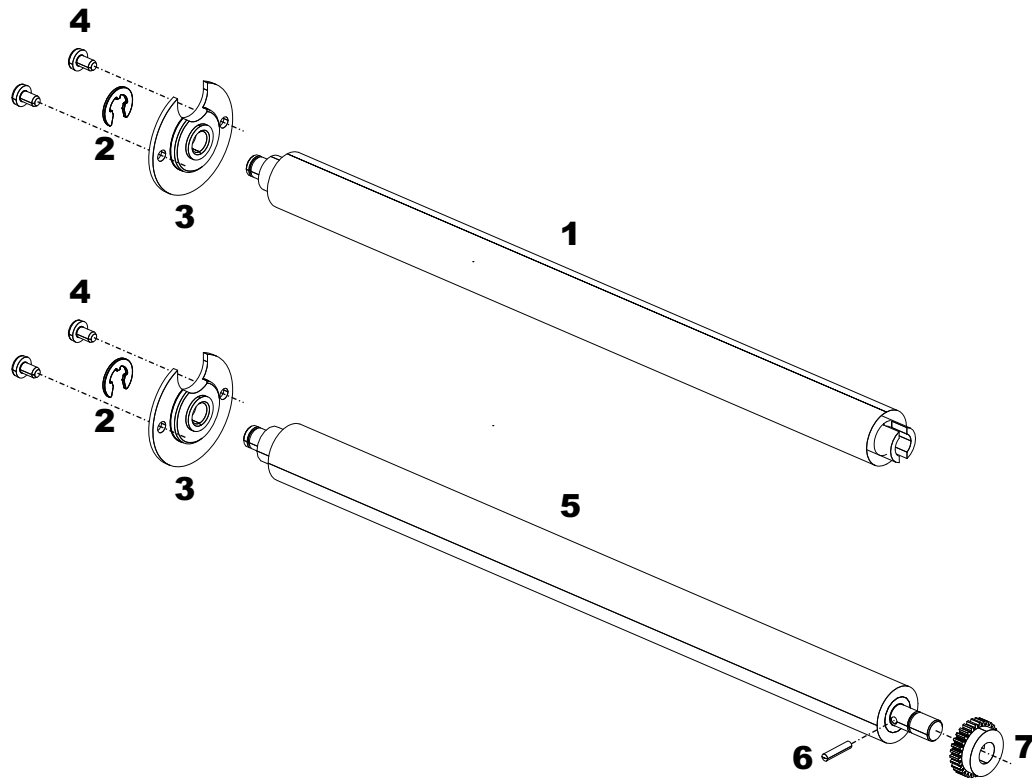
ITEM NUMBER	DESCRIPTION	QUANTITY
TTP 8200 – P1022237-003		
1	Thermal Printhead, 203 dpi, 216 mm	1
2	Compression Springs 0.75 x 5 x 16	5
3	Screw	1
4	Screw	1
5	Hub	1
TTP 8300 – P1022237-004		
1	Thermal Printhead, 300 dpi, 216 mm	1
2	Compression Springs 0.75 x 5 x 16	5
3	Screw	1
4	Screw	1
5	Hub	1

Compact Cover Plate Kit



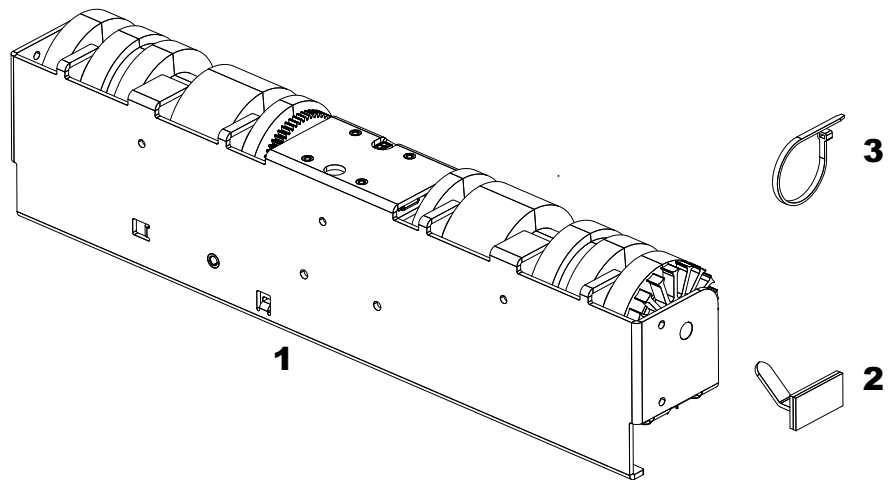
ITEM NUMBER	DESCRIPTION	QUANTITY
TTP 8200 – P1022237-005		
1	Presenter Plate	1
2	Screw MFX-H M2.5 x 4	4

Platen Roller Kit



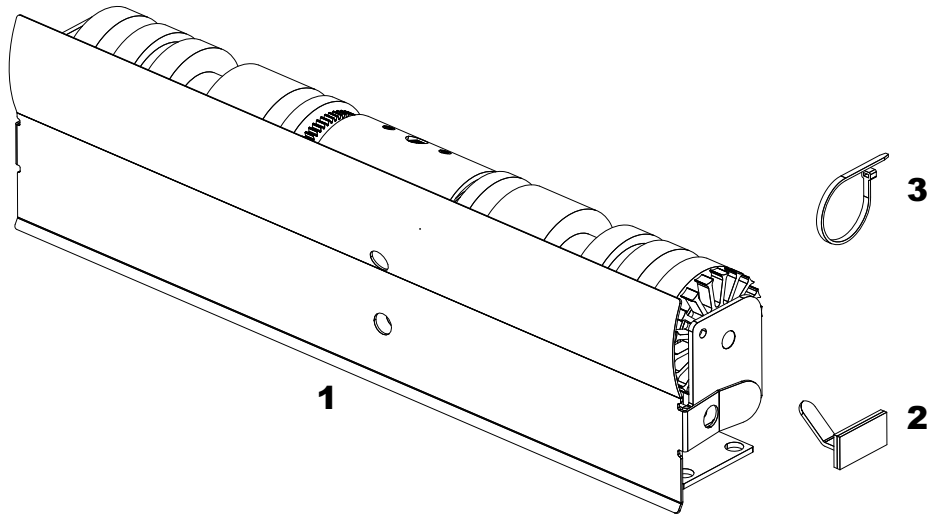
ITEM NUMBER	DESCRIPTION	QUANTITY
TTP 8200 – P1022237-006		
1	Platen Roller Assembly	3
2	Circlip RS 5	3
3	Bearing	3
4	Screw M3 x 5 PN TX ZN	3
Not Shown	Screw 2.9 x 8 PN TX ZN	3
TTP 8300 – P1022237-007		
2	Circlip RS 5	6
3	Bearing	6
4	Screw M3 x 5 PN TX ZN	6
5	Platen Roller Assembly, 300 dpi	3
6	Cylindrical Pin	3
7	Gear Wheel	3
Not Shown	Screw	6

Standard Presenter Module Kit



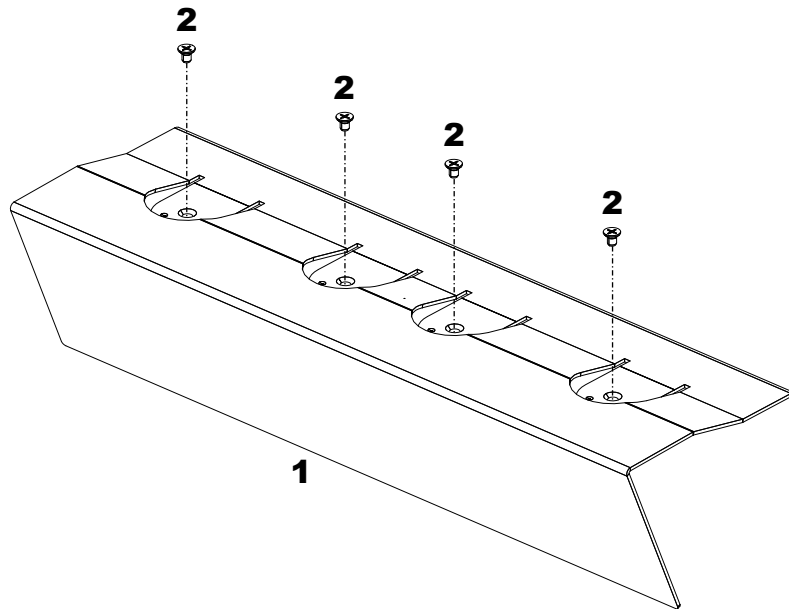
ITEM NUMBER	DESCRIPTION	QUANTITY
TTP 8x00 – P1022237-008		
1	Presenter Module Assy	1
2	Cable Clamp	1
3	Cable Tie, Locking	3
Not Shown	Screw M3 x 5 PN TX ZN	4

Vertical Presenter Module Kit



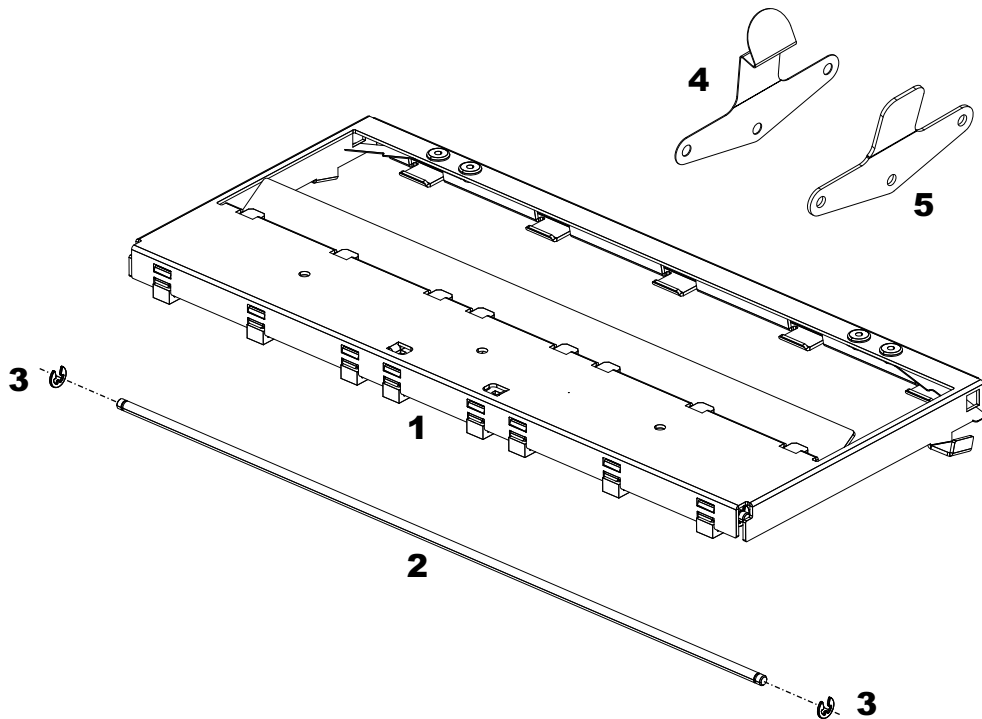
ITEM NUMBER	DESCRIPTION	QUANTITY
TTP 8200 – P1022237-009		
1	Presenter Module Vertical Assy	1
2	Cable Clamp	1
3	Cable Tie, Locking	3
Not Shown	Screw M3 x 5 PN TX ZN	4

Standard Cover Plate Kit



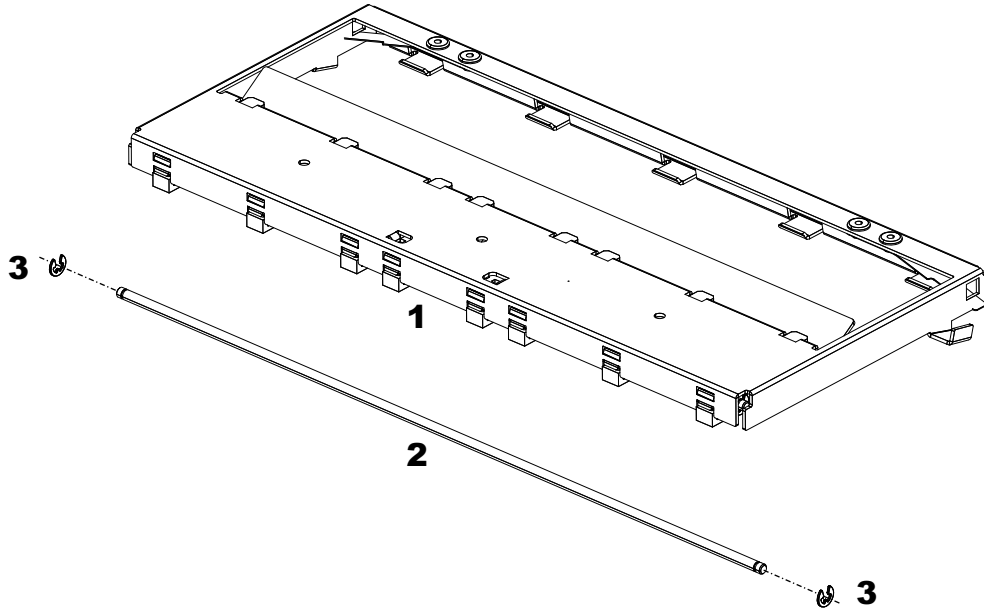
ITEM NUMBER	DESCRIPTION	QUANTITY
TTP 8x00 – P1022237-010		
1	Cover Plate	1
2	Screw MFX-H M2.5 x 4	4

Presenter Top Assembly Kit
(for printer serial number starting with 4 or 5)



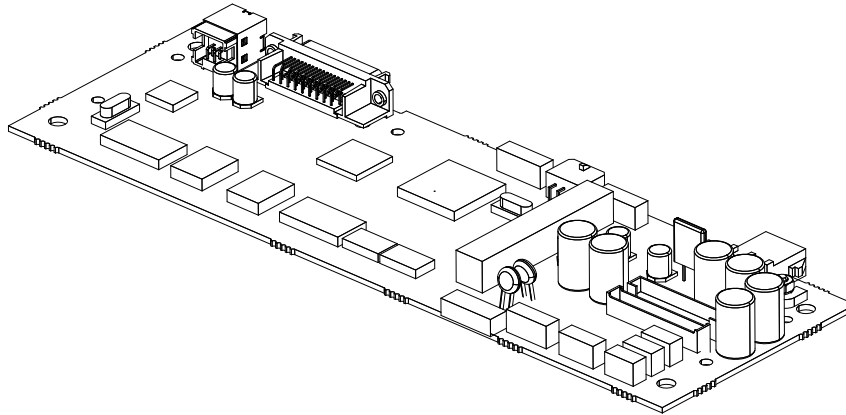
ITEM NUMBER	DESCRIPTION	QUANTITY
TTP 8x00 – P1022237-011		
1	Presenter Top Assy	1
2	Shaft RD 3 x 242	1
3	Circlip RS 2.3	2
4	Snap Lock	2
5	Snap Lock Stop	2
Not Shown	Screw M3 x 5 PN PH ZN	4

**Presenter Top Assembly Kit
(for printer serial number starting with 92J)**



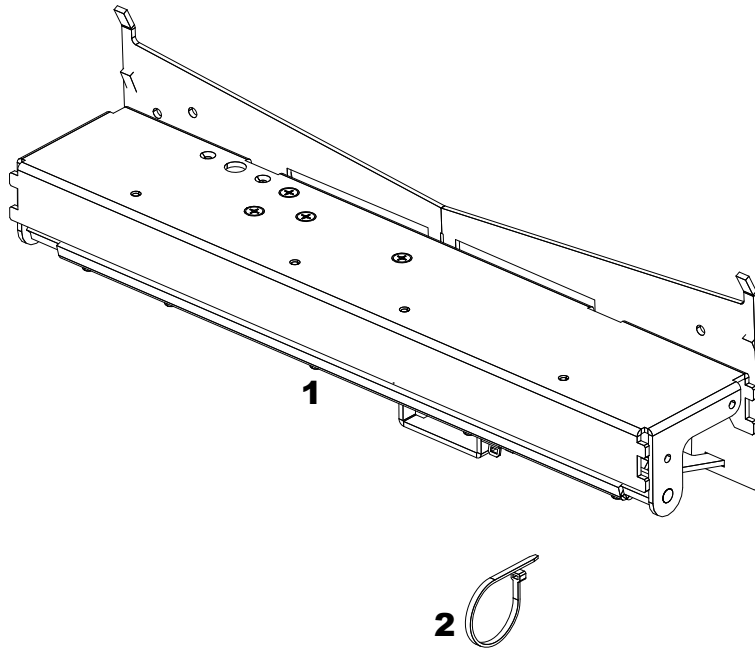
ITEM NUMBER	DESCRIPTION	QUANTITY
TTP 8x00 – P1022237-012		
1	Presenter Top Assy	1
2	Shaft RD 3 x 242	1
3	Circlip RS 2.3	2

Main Logic Board (MLB) Kit



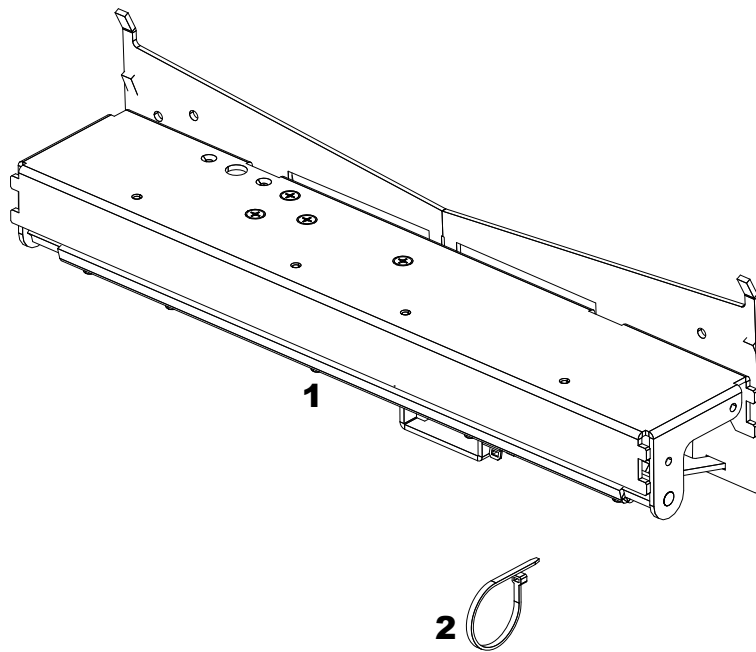
ITEM NUMBER	DESCRIPTION	QUANTITY
TTP 8x00 – P1022237-013		
	PCBA TTP 8x00 Control Board ASM	1

Cutter Module Kit (Standard and Vertical)



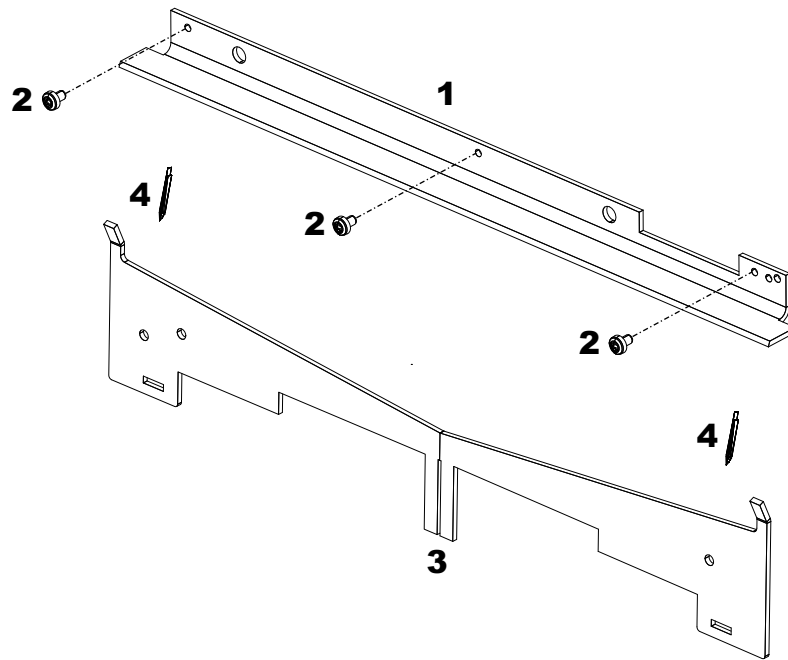
ITEM NUMBER	DESCRIPTION	QUANTITY
TTP 8x00 – P1022237-014		
1	Cutter Module Assy TTP 8x00 (Standard and Vertical)	1
2	Cable Tie, Locking	3
	Cutter Blade, Fixed	1
Not Shown	Screw, M2.5 x 4 PX TX ZN	3
Not Shown	Box of grease, Teflon	1

Cutter Module Kit (Compact)



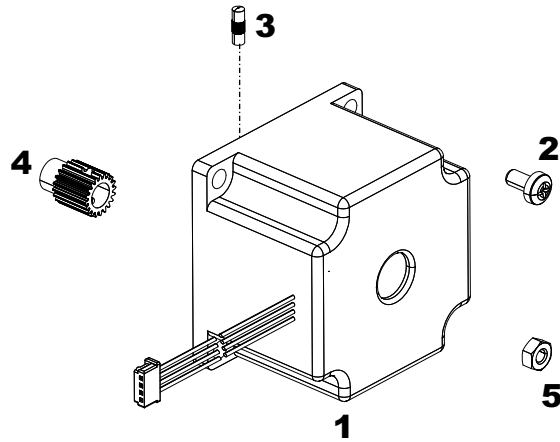
ITEM NUMBER	DESCRIPTION	QUANTITY
TTP 8200 – P1022237-015		
1	Cutter Module Assy TTP 8x00 (Compact)	1
2	Cable Tie, Locking	3
	Cutter Blade, Fixed	1
Not Shown	Screw, M2.5 x 4 PN TX ZN	3
Not Shown	Box of grease, Teflon	1

Cutter Blade Kit



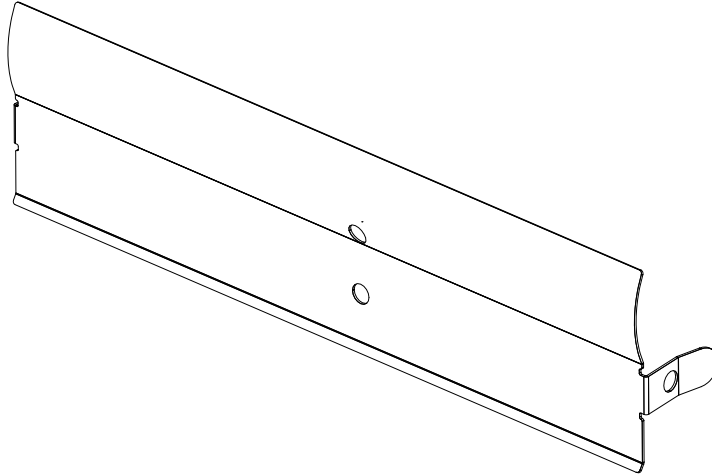
ITEM NUMBER	DESCRIPTION	QUANTITY
TTP 8x00 – P1022237-016		
1	Cutter Blade, Fixed	3
2	Screw M2.5 x 4 PN TX ZN	9
3	Cutter Blade, Moving	3
4	Split Pin	6
Not Shown	Box of grease, Teflon	1

Stepper Motor Kit



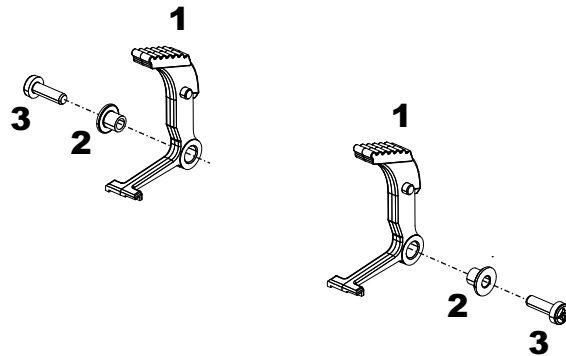
ITEM NUMBER	DESCRIPTION	QUANTITY
TTP 8200 – P1022237-017		
1	Stepper Motor with Pin	3
2	Screw M4 x 8 PN PH ZN	9
TTP 8300 – P1022237-018		
1	Stepper Motor	1
2	Screw M4 x 8 PN PH ZN	2
3	Knurled Pin	1
4	Gear Wheel, Motor	1
5	Nut M4 HX ZN	2

Cover Plate Kit (Vertical)



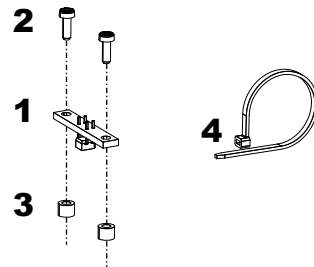
ITEM NUMBER	DESCRIPTION	QUANTITY
TTP 8200 – P1022237-019		
	Cover Plate	3

Catch Lever Kit (for printer serial number starting with 92J)



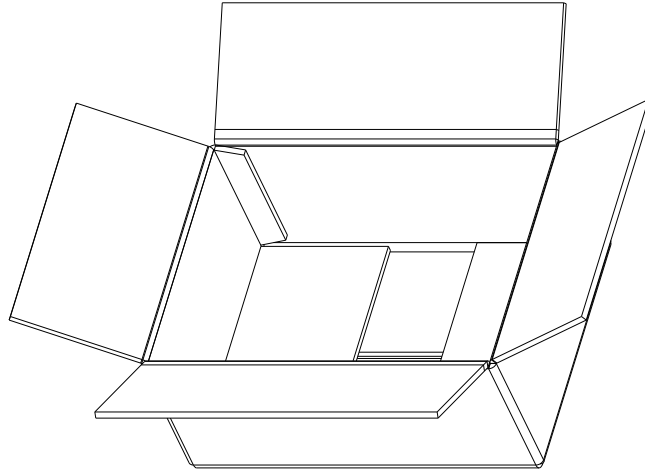
ITEM NUMBER	DESCRIPTION	QUANTITY
TTP 8x00 – P1022237-020		
1	Catch Lever	10
2	Catch Lever Bearing	10
3	Screw M3 x 10 PN PH ZN	10

Optical Sensor Kit



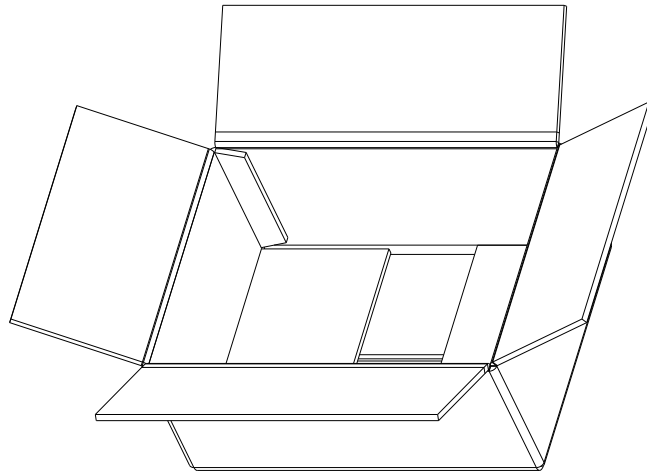
ITEM NUMBER	DESCRIPTION	QUANTITY
TTP 8x00 – P1022237-021		
1	Opto Sensor Assy	2
2	Screw, M2 x 6 PN PH ZN	4
3	Spacer	4
4	Cable Tie, Locking	4
Not Shown	Label, Stat 500/RL	1

Standard and Vertical Printer Packaging



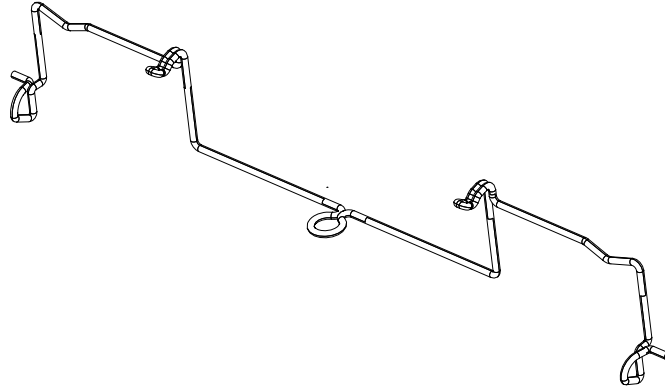
ITEM NUMBER	DESCRIPTION	QUANTITY
TTP 8x00 – P1022237-022		
	Box, TTP 8x00 Standard and Vertical	1
Not Shown	PA Bag, Conductive 15 x 18	1
Not Shown	Paper Cushion "S"	1
Not Shown	Paper Cushion "M"	1
Not Shown	Paper Cushion "L"	2

Compact Printer Packaging



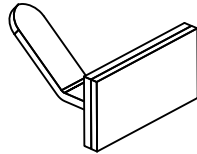
ITEM NUMBER	DESCRIPTION	QUANTITY
TTP 8200 – P1022237-023		
	Box, TTP 8x00 Compact	1
Not Shown	PA Bag, Conductive 15 x 18	1
Not Shown	Paper Cushion "S"	2
Not Shown	Paper Cushion "L"	2

Transport Latch Kit



ITEM NUMBER	DESCRIPTION	QUANTITY
TTP 8x00 – P1022237-024		
	Transport Latch	5

Cable Clamp Kit

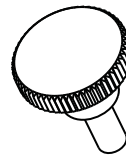


ITEM NUMBER	DESCRIPTION	QUANTITY
TTP 8x00 – P1022237-025		
	Cable Clamp	10

Screw Kit



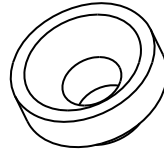
1



2

ITEM NUMBER	DESCRIPTION	QUANTITY
TTP 8x00 – P1022237-026		
1	Screw M4 x 8 FL PH ZN	20
2	Knurled screw M4 x 10	20

Hub Kit



ITEM NUMBER	DESCRIPTION	QUANTITY
TTP 8x00 – P1022237-027		
	Hub RD 10 x 5 x 6 x 2.3 SS	10

**PARTS CATALOG
TTP 8000 SERIES**