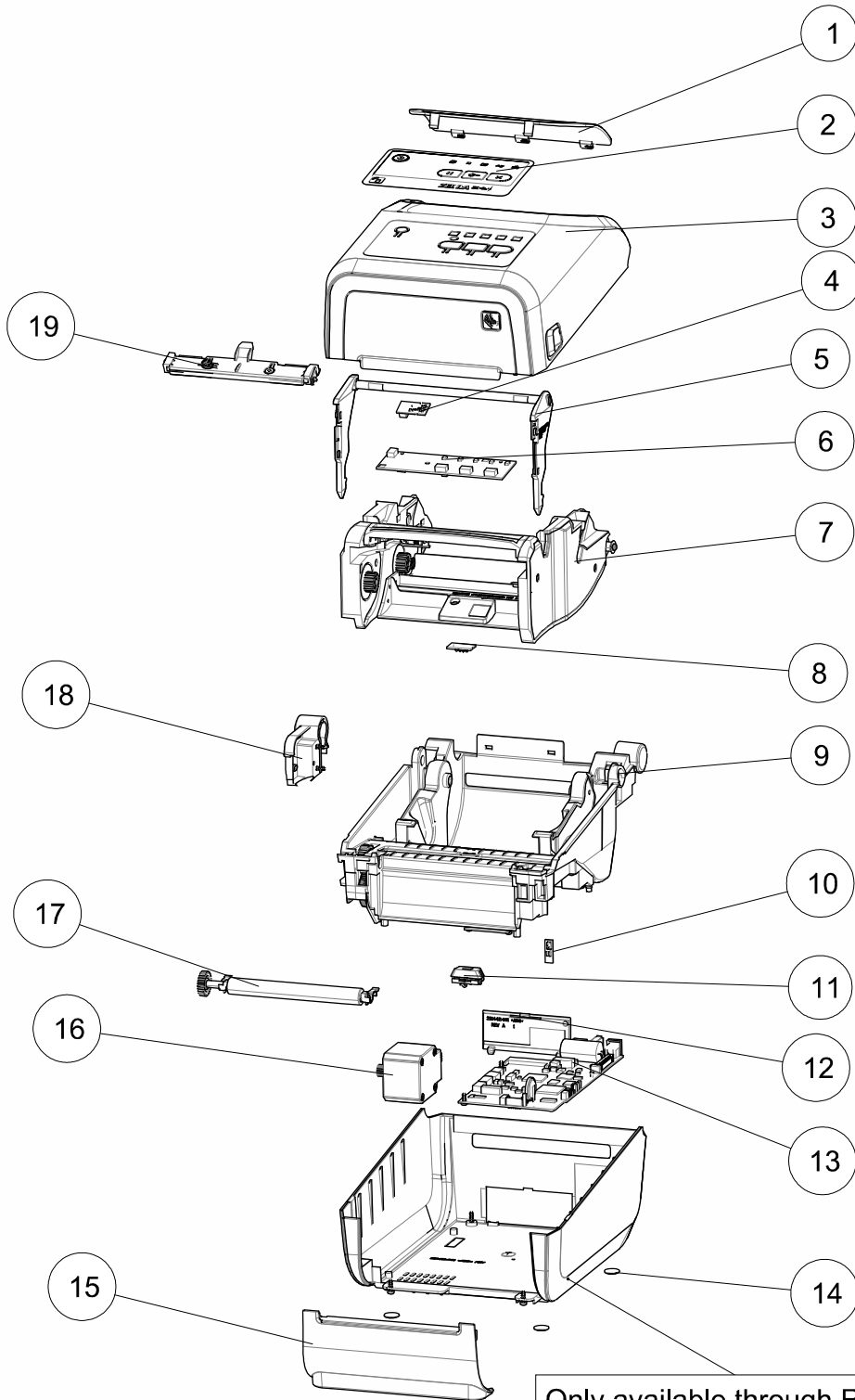


**ZD420 Cartridge (203 & 300 DPI)**



Only available through Repair Depot

## Spare Parts List Desktop Printers

### ZD420 Cartridge (203 & 300 DPI)

Item	Description	Part Number
1	Media Window	P1080383-003
2	Nameplate ZD420	P1080383-008
3	Cover Assembly (includes Media Window), for Standard Models with the Print Touch icon Cover Assembly (includes Media Window), for Standard Models without the Print Touch icon Cover Assembly (includes Media Window), for Health Care Models	P1080383-002 P1080383-043 P1080383-032
4	Ribbon Sensor	P1080383-014
5	Latch Assembly	P1080383-024
6	Control Panel	P1080383-029
7	Ribbon Carriage	P1080383-017
8	Upper Media Sensor	P1080383-013
9	Print Mechanism	P1080383-004
10	Cover Open Sensor	P1080383-011
11	Lower Media Sensor	P1080383-012
12	Rear Option Port Cover, Serial, Ethernet, Standard (includes 1 of ea.)	P1080383-020
13	Main Logic Board, USB, USB Host, Modular Connectivity Slot Main Logic Board, USB, USB Host, Bluetooth, Modular Connectivity Slot Main Logic Board, USB, USB Host, Bluetooth, Ethernet, Modular Connectivity Slot Main Logic Board, USB, USB Host, Bluetooth, WiFi 802.11ac, Modular Connectivity Slot	P1080383-251 P1080383-254 P1080383-252 P1080383-253
14	Rubber Foot (set of 4)	P1080383-021
15	Front Bezel, Standard	P1080383-019
16	Motor Assembly	P1080383-015
17	Platen Roller 203dpi Platen Roller 300dpi Bearings for the Platen Roller, Left & Right (set of 10 ea.)	P1080383-010 P1080383-016 P1079903-014
18	Cover Hinge	P1080383-023
19	Printhead, 203dpi Printhead, 300dpi	P1080383-001 P1080383-007
Not Shown	Cutter, 4", Full	P1080383-009
	Dispenser, Front Bezel	P1080383-018
	Media Core Adaptors, 1.5", 2", 3" (set of 1 ea.)	P1080383-022
	Ethernet Module	P1080383-033
	Serial Module	P1080383-034
	Convert to 300dpi	P1080383-035
	Convert to 203dpi	P1080383-036
	Base Housing for Battery (When upgrading to battery power functionality, also order the P1080383-603 battery)	P1080383-600
	Battery for Desktop Printers (When upgrading to battery power functionality, also order the P1080383-600 battery housing)	P1080383-603
	Adapter bracket that enables mounting a ZD420C printer in the same location as an existing GK/GX Thermal Transfer printer is currently mounted. Allows usage of the GK/GX model mounting hole pattern.	P1080383-037
	Shipping Pack - Packaging for shipping the printer	P1080383-027
	Power Supply, 75W with US Cord, for Standard Models	P1079903-026
	Power Supply, 75W with US Cord, for Health Care Models	P1079903-030
	Power Cord, US, 120V IEC320C13 (set of 5)	105950-014
	Power Cord, EU, 220V, IEC320C13 (set of 5)	105950-015
	Power Cord, UK, 220V, IEC320C13 (set of 5)	105950-030
	Power Cord, Australia, 250V, IEC320C13 (set of 5)	105950-029
	Power Cord, China, 220V, IEC320C13 (set of 5)	105950-078
	Power Cord, Japan, 125V, IEC320C13 (set of 5)	105950-079
	Power Cord, Argentina, 220V, IEC320C13 (set of 5)	105950-080
	Power Cord, Brazil, 10A NBR 14136 (set of 5)	P1033401
	Power Cord, Israel, 10A, IEC320C13 (set of 5)	P1061022-020
	Power Cord, India, 10A, IS 1293, C13 (set of 5)	P1080829
Power Cord, Taiwan, 125V, IEC320C13 (set of 5)	P1079903-035	