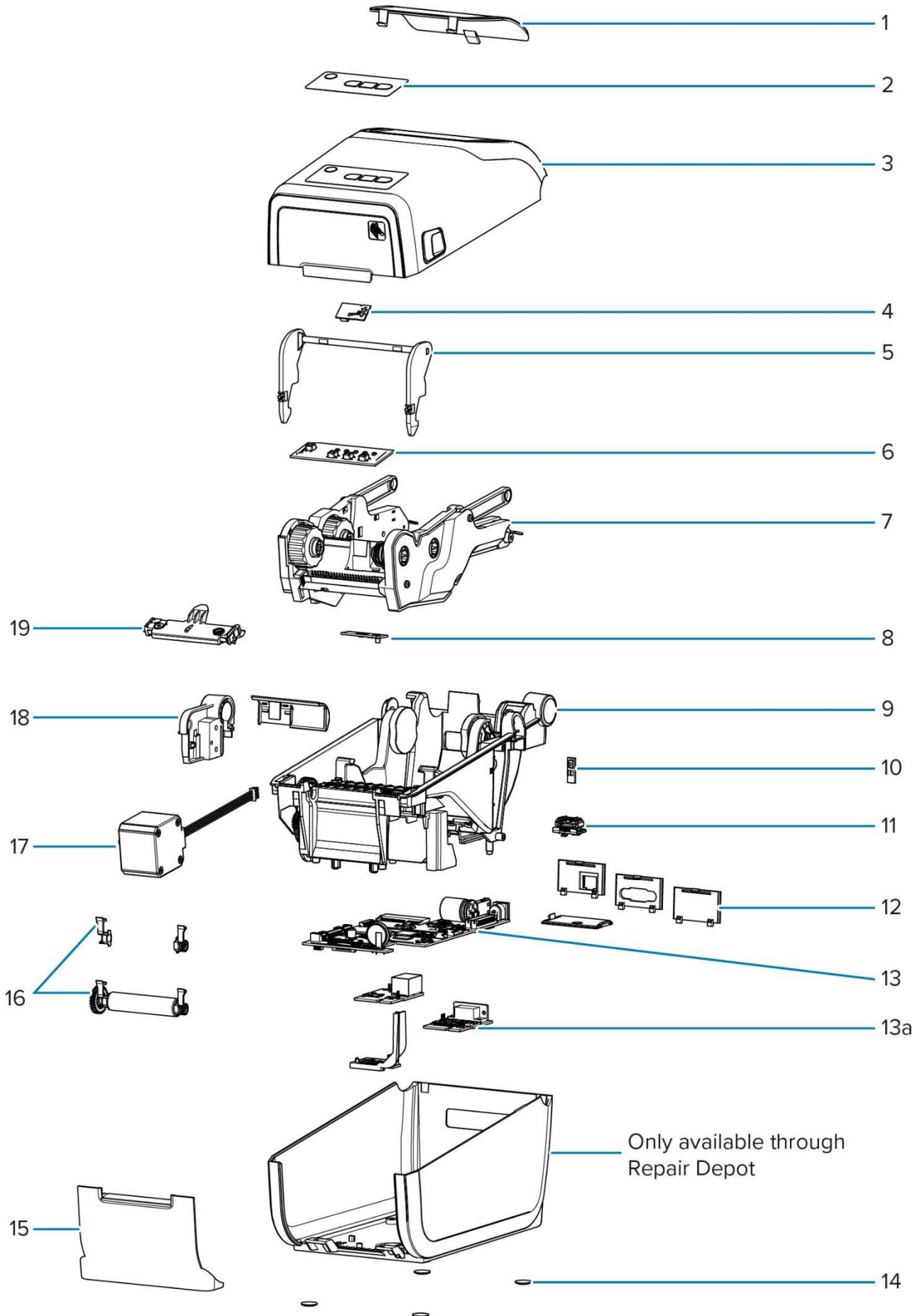


ZD411 Thermal Transfer (203 & 300 DPI)



Spare Parts List

ZD411 Thermal Transfer (203 & 300 DPI)

Item	Description	Part Number
1	Media Window	P1117258-201
2	Nameplate	P1117258-001
3	Cover Assembly (includes Media Window)	P1117258-203
4	Ribbon Out Sensor	P1117258-205
5	Latch Assembly	P1117258-206
6	Control Panel PCBA (without LCD)	P1117258-207
7	Ribbon Carriage	P1117258-208
8	Upper Media Sensor (Gap Sensor)	P1117258-209
9	Print Mechanism 203dpi	P1117258-210
	Print Mechanism 300dpi	P1117258-211
10	Cover Open Sensor	P1117258-212
11	Lower Media Sensor (Blackline Sensor)	P1117258-213
12	Rear Bezels and WiFi Bezel for Standard Models: Serial, Ethernet, No Options, WiFi (1 of each)	P1112640-212
13	Main Logic Board, USB, USB Host, Bluetooth, Modular Connectivity Slot	P1117258-013
13A	Ethernet Module	P1112640-015
	Serial Module	P1112640-016
	USA and Canada 802.11ac WiFi Module	P1112640-017A
	Japan 802.11ac WiFi Module	P1112640-017B
	All countries except USA, Canada and Japan 802.11ac WiFi Module	P1112640-017C
14	Rubber Feet (set of 4)	P1080383-021
15	Front Bezel, Standard Models	P1117258-214
16	Platen Roller 203dpi	P1117258-215
	Platen Roller 300dpi	P1117258-216
	Bearings for the platen roller, Left & Right (10 each)	P1080383-224
17	Motor Assembly 203dpi & 300dpi	P1080383-221
18	Covers for Hinge (includes side and rear hinge covers)	P1117258-217
19	Printhead, 203dpi	P1117258-232
	Printhead, 300dpi	P1117258-233
Not Shown	Cutter	P1117258-231
	Dispenser, Front Bezel	P1117258-230
	Base Housing for the Battery (When upgrading to battery power functionality, also order the P1080383-603 battery)	P1080383-605
	Battery for Desktop Printers (When upgrading to battery power functionality, also order the P1080383-605 battery housing)	P1080383-603
	Adapter bracket that enables mounting a ZD411T model in the same location as an existing TLP2824Plus model is currently mounted. Allows usage of the TLP2824Plus mounting hole pattern to mount a ZD411T.	P1117258-234
	Shipping Pack - Packaging for shipping the printer	P1117258-218
	Power Supply, 50W with US & Euro Cords for Standard Models	P1117258-012
	Power Supply, 75W, 24V with US Cord, for Healthcare Models	P1079903-030
	Power Cord, U.S. 120V IEC320C13 (set of 5)	105950-014
	Power Cord, Euro 220V IEC320C13 (set of 5)	105950-015
	Power Cord, U.K. 240V IEC320C13 (set of 5)	105950-030
	Power Cord, Australia 240V IEC320C13 (set of 5)	105950-029
	Power Cord, China 220V C13 (set of 5)	105950-078
	Power Cord, Japan 125V JAPAN C13 (set of 5)	105950-079
	Power Cord, 220V Argentina C13 (set of 5)	105950-080
	Power Cord, 10A NBR 14136, Brazil (set of 5)	P1033401
	Power Cord, C13, 10A, IEC Israel (set of 5)	P1061022-020
	Power Cord India, 10A, IS 1293, C13 (set of 5)	P1080829
	Power Cord, Taiwan, 125V, IEC320C13 (set of 5)	P1079903-035