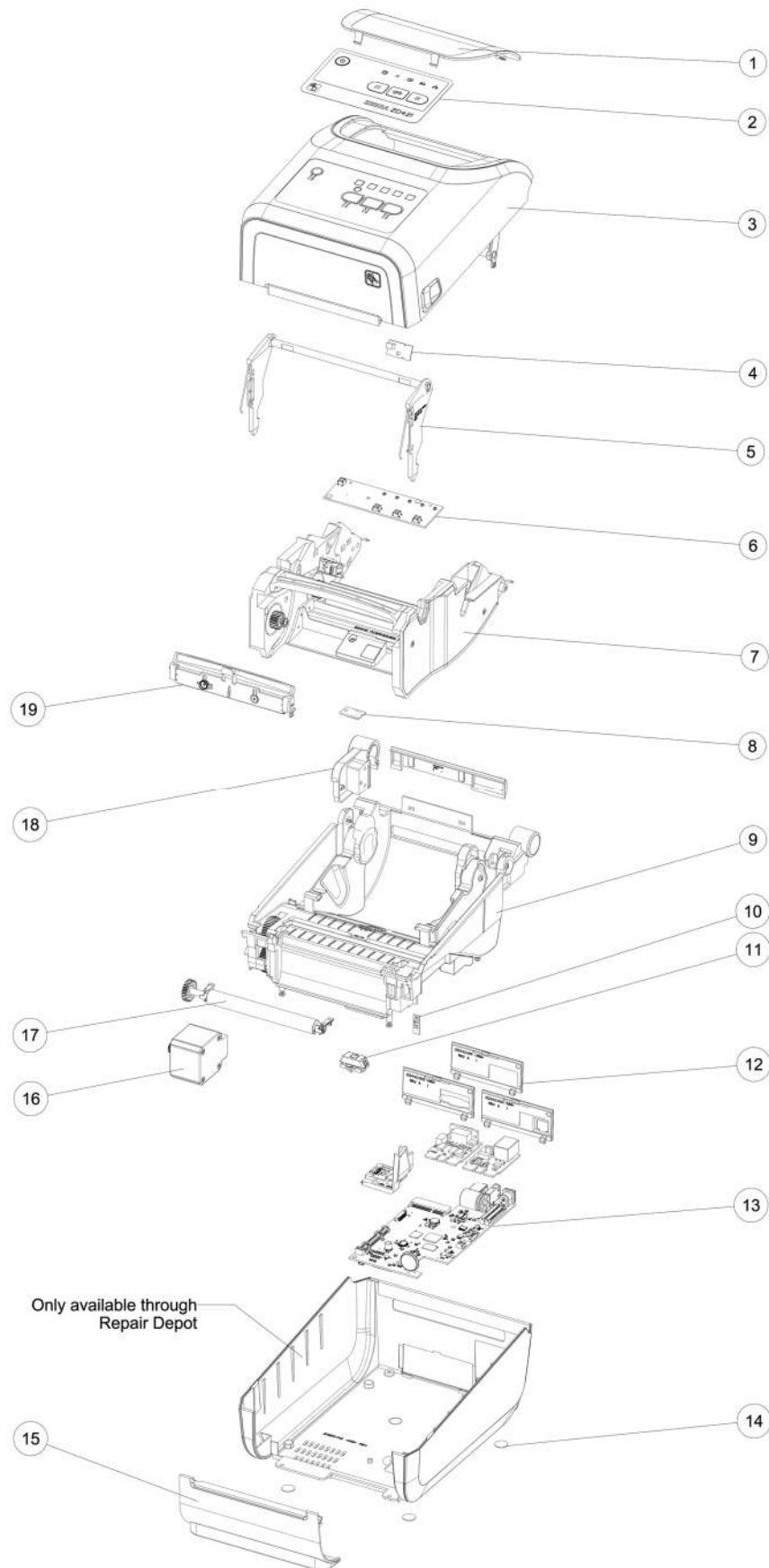


**ZD421 Cartridge (203 & 300 DPI)**



## Spare Parts List Desktop Printers

### ZD421 Cartridge (203 & 300 DPI)

Item	Description	Part Number
1	Media Window	P1080383-003
2	Nameplate	P1116110-001
3	Cover Assembly for Gray Models (includes Media Window) Cover Assembly for White Healthcare Models (includes Media Window)	P1116110-002 P1116110-003
4	Ribbon Sensor	P1116110-004
5	Latch Assembly	P1080383-024
6	Control Panel	P1112640-039
7	Ribbon Carriage	P1116110-005
8	Upper Media Sensor	P1116110-006
9	Print Mechanism	P1116110-007
10	Cover Open Sensor	P1112640-210
11	Lower Media Sensor	P1116110-008
12	Rear Option Port Cover, Serial, Ethernet, Standard (includes 1 of ea.)	P1080383-020
13	Main Logic Board, USB, USB Host, Modular Connectivity Slot	P1112640-014
14	Rubber Foot (set of 4)	P1080383-021
15	Front Bezel, Standard	P1112640-245
16	Motor Assembly	P1080383-015
17	Platen Roller 203dpi Platen Roller 300dpi Bearings for the Platen Roller, Left & Right (set of 10 ea.)	P1116110-014 P1116110-015 P1079903-014
18	Cover Hinge	P1080383-023
19	203 dpi Printhead 300 dpi Printhead	P1116110-009 P1116110-010
Not Shown	Cutter, 4", Full	P1116110-025
	Dispenser, Front Bezel	P1112640-233
	Media Core Adaptors, 1.5", 2", 3" (set of 1 ea.)	P1080383-022
	Ethernet Module	P1112640-015
	Serial Module	P1112640-016
	WiFi 802.11ac Wireless Module for USA and Canada	P1112640-239A
	WiFi 802.11ac Wireless Module for Japan	P1112640-239B
	WiFi 802.11ac Wireless Module for all countries except USA, Canada and Japan	P1112640-239C
	Base Housing for Battery (When upgrading to battery power functionality, also order the P1080383-603 battery)	P1080383-600
	Battery for Desktop Printers (When upgrading to battery power functionality, also order the P1080383-600 battery housing)	P1080383-603
	Adapter bracket that enables mounting a ZD421C printer in the same location as an existing GK/GX Thermal Transfer printer is currently mounted. Allows usage of the GK/GX model mounting hole pattern.	P1080383-037
	Shipping Pack - Packaging for shipping the printer	P1080383-027
	Power Supply, 75W with US Cord and EU Cord for Gray Colored Standard Models	P1079903-026
	Power Supply, 75W with US Cord, for White Colored Health Care Models	P1079903-030
	Power Cord, US, 120V IEC320C13 (set of 5)	105950-014
	Power Cord, EU, 220V, IEC320C13 (set of 5)	105950-015
	Power Cord, UK, 220V, IEC320C13 (set of 5)	105950-030
	Power Cord, Australia, 250V, IEC320C13 (set of 5)	105950-029
	Power Cord, China, 220V, IEC320C13 (set of 5)	105950-078
	Power Cord, Japan, 125V, IEC320C13 (set of 5)	105950-079
	Power Cord, Argentina, 220V, IEC320C13 (set of 5)	105950-080
	Power Cord, Brazil, 10A NBR 14136 (set of 5)	P1033401
	Power Cord, Israel, 10A, IEC320C13 (set of 5)	P1061022-020
Power Cord, India, 10A, IS 1293, C13 (set of 5)	P1080829	
Power Cord, Taiwan, 125V, IEC320C13 (set of 5)	P1079903-035	