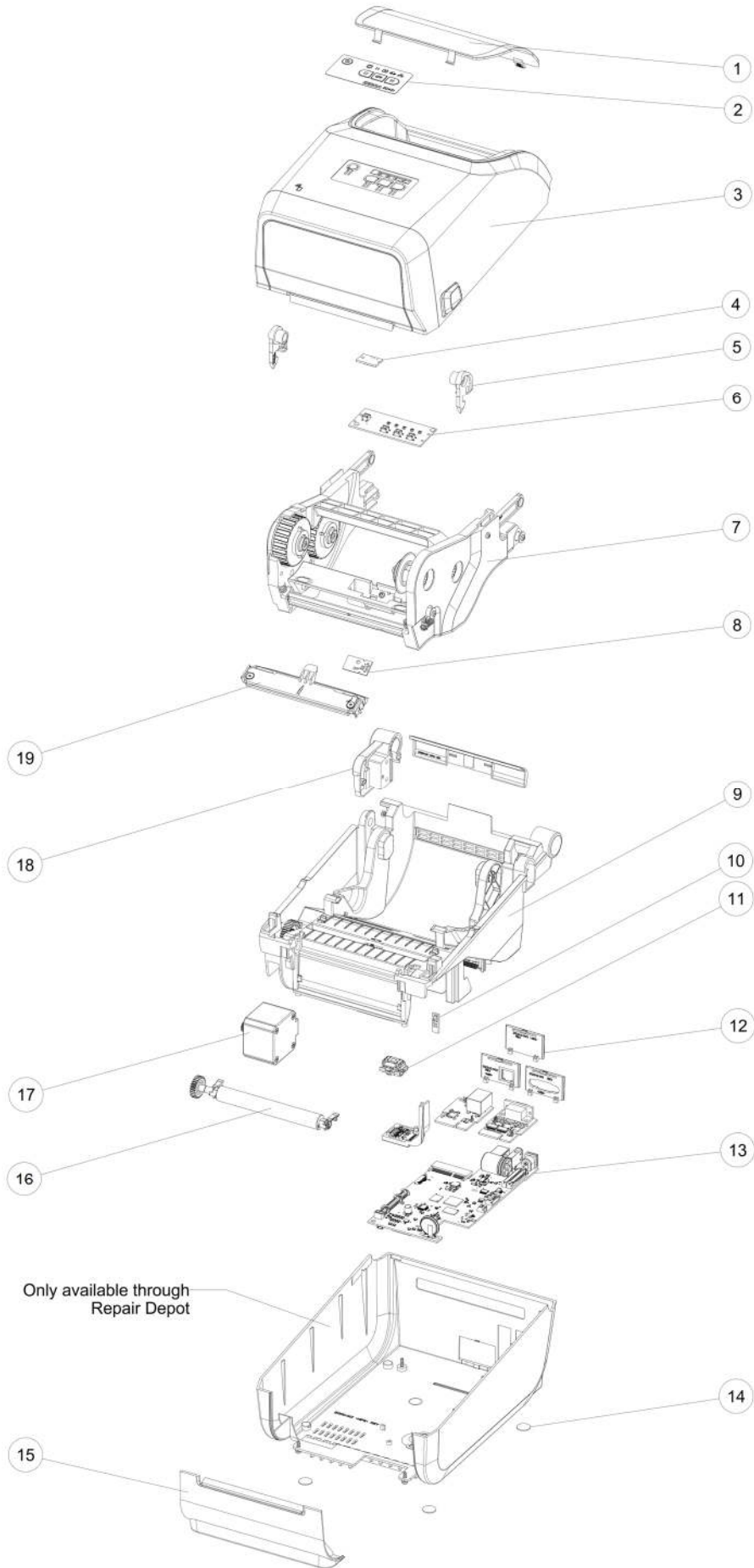


ZD421 Thermal Transfer (203 & 300 DPI)



ZD421 Thermal Transfer (203 & 300 DPI)

Item	Description	Part Number
1	Media Window	P1112640-200
2	Nameplate	P1112640-254
3	Cover Assembly for Gray Standard Models (includes Media Window) Cover Assembly for White Healthcare Models (includes Media Window)	P1112640-202 P1112640-203
4	Ribbon Out Sensor	P1112640-204
5	Latch Assembly	P1112640-205
6	Control Panel PCBA	P1112640-004
7	Ribbon Carriage	P1112640-206
8	Upper Media Sensor (Gap Sensor Moveable)	P1112640-207
9	Print Mechanism 203dpi Print Mechanism 300dpi	P1112640-208 P1112640-209
10	Cover Open Sensor	P1112640-210
11	Lower Media Sensor (Blackline Sensor)	P1112640-211
12	Rear Bezels and WiFi Bezel for Standard Models: Serial, Ethernet, No Options, WiFi (1 of each) Rear Bezels and WiFi Bezel for Healthcare Models: Serial, Ethernet, No Options, WiFi (1 of each)	P1112640-212 P1112640-213
13	Main Logic Board, USB, USB Host, Bluetooth, Modular Connectivity Slot	P1112640-014
13A	Ethernet Module Serial Module WiFi 802.11ac Wireless Module for USA and Canada WiFi 802.11ac Wireless Module for Japan WiFi 802.11ac Wireless Module for all countries except USA, Canada and Japan	P1112640-015 P1112640-016 P1112640-017A P1112640-017B P1112640-017C
14	Rubber Feet (set of 4)	P1080383-021
15	Front Bezel, Standard Models Front Bezel, Healthcare Models	P1112640-214 P1112640-215
16	Platen Roller 203dpi Platen Roller 300dpi Bearings for the platen roller, Left & Right (10 each)	P1112640-216 P1112640-217 P1080383-224
17	Motor Assembly	P1080383-221
18	Covers for Hinge (includes side and rear hinge covers)	P1080383-225
19	203 dpi Printhead 300 dpi Printhead	P1112640-218 P1112640-219
Not Shown	Upgrade Kit - Cutter, 4", Full Cut	P1112640-230
	Dispenser, Front Bezel	P1112640-231
	Media Core Adaptors, For 1.5", 2" & 3" diameter cores	P1112640-054
	Ribbon Core Adaptors used to accept 1 inch diameter ribbon cores (1 set)	P1080383-231
	Base Housing for the Battery (When upgrading to battery power functionality, also order the P1080383-603 battery)	P1080383-600
	Battery for Desktop Printers (When upgrading to battery power functionality, also order the P1080383-600 battery housing)	P1080383-603
	Adapter bracket that enables mounting a ZD421T model in the same location as an existing GK420t model is currently mounted. Allows usage of the GK420t mounting hole pattern to mount a ZD421T.	P1080383-037
	Shipping Pack - Packaging for shipping the printer	P1112640-249
	Power Supply Unattached, 60W with US & Euro Cords for Gray Colored Standard Models	105934-053
	Power Supply Unattached, 75W, 24V with US Cord, for White Colored Healthcare Models	P1079903-030
	Power Supply Attached, 60W (power cord not included)	P1112640-248
	Power Cord, U.S. 120V IEC320C13 (set of 5)	105950-014
	Power Cord, Euro 220V IEC320C13 (set of 5)	105950-015
	Power Cord, U.K. 240V IEC320C13 (set of 5)	105950-030
	Power Cord, Australia 240V IEC320C13 (set of 5)	105950-029
	Power Cord, China 220V C13 (set of 5)	105950-078
	Power Cord, Japan 125V JAPAN C13 (set of 5)	105950-079
	Power Cord, 220V Argentina C13 (set of 5)	105950-080
	Power Cord, 10A NBR 14136, Brazil (set of 5)	P1033401
	Power Cord, C13, 10A, IEC Israel (set of 5)	P1061022-020
Power Cord India, 10A, IS 1293, C13 (set of 5)	P1080829	
Power Cord, Taiwan, 125V, IEC320C13 (set of 5)	P1079903-035	