



Product Producer **Zebra Technologies Corporation**
333 Corporate Woods Parkway
Vernon Hills, IL, 60061 U.S.A.

Product Description Models: Cameo 2 Thermal Receipt Printer
Cameo 2^{sc} Thermal Receipt Printer

Hazardous Substances and Preparations

These products may contain the following substances:

- Hexavalent Chromium may be present in trace amounts in the metal fasteners, brackets, and other metal structural components of the printers.
- Lead may be present in the PCBAs used in these products.

Batteries

These products contain a removable nickel-metal hydride (NiMH) battery pack. This battery must be disposed of in accordance with local regulations.

Zebra Technologies offers battery recycling programs in certain geographic areas. To determine if a program is available for this product in your area, please refer to our web site at: <http://www.zebra.com/environment>.

Packaging

The packaging materials used for these products do not contain any of the banned materials listed in the EU packaging directive.

The printed user documentation included with these products is produced on paper with 50% or more recycled content that has not been bleached with chlorine. If a Compact Disc (CD) is supplied, it is made from a recyclable polycarbonate material.

Information on the assessment of the packaging scheme for these or other Zebra products can be found at: <http://www.zebra.com/environment>.

Recycling Information

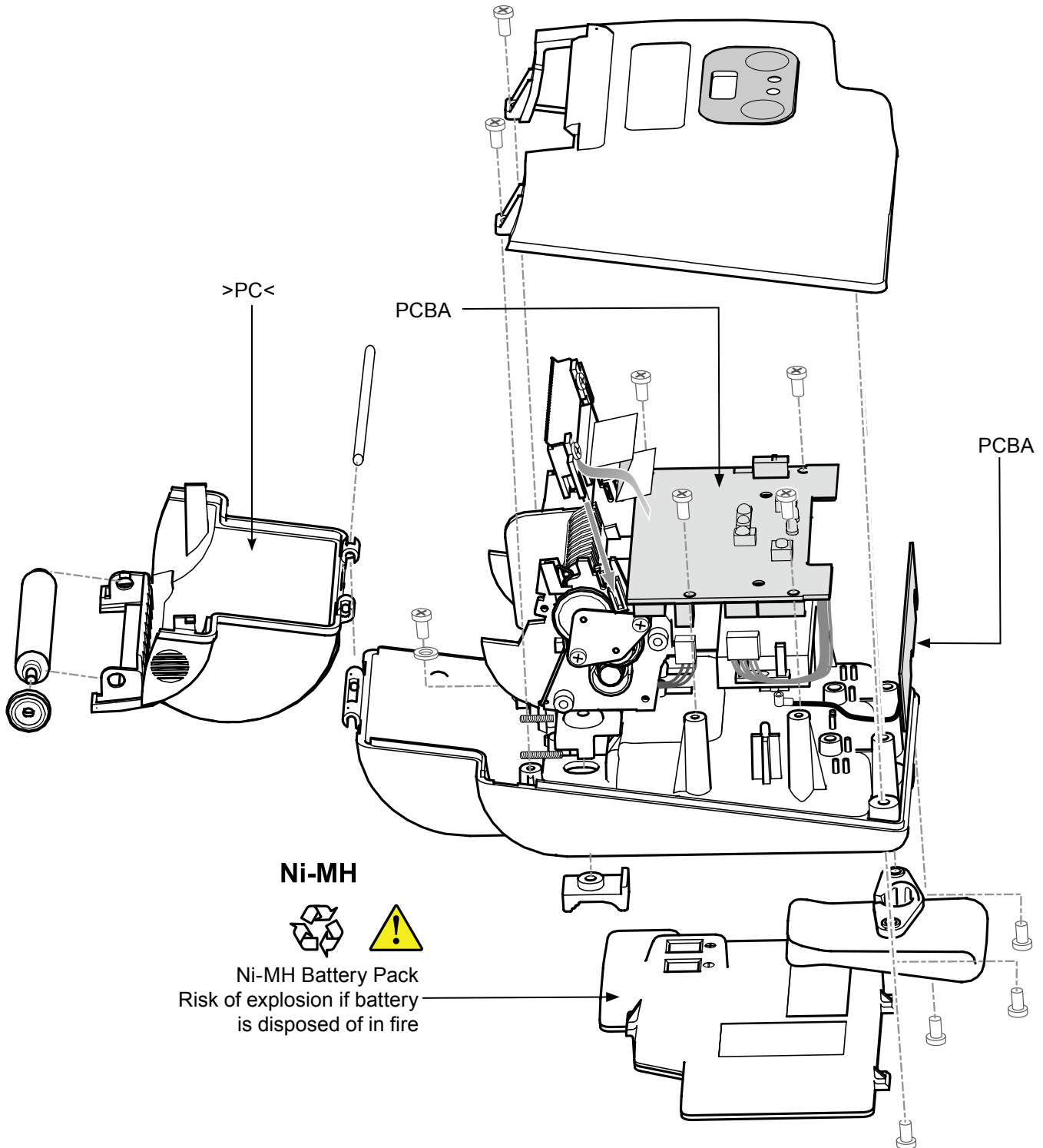
Zebra Technologies offers product recycling programs in certain geographic areas. To determine if a program is available for these products in your area, please refer to our web site at: <http://www.zebra.com/environment>.

These products are designed with the following features to enhance recycling:

- Glues and adhesives have been eliminated from product construction where feasible.
- Use of common fasteners and/or snap-in features
- Plastic parts weighing more than 25g are marked according to ISO 11469 standards except where impractical. Exceptions are noted in the drawings.



Cameo 2



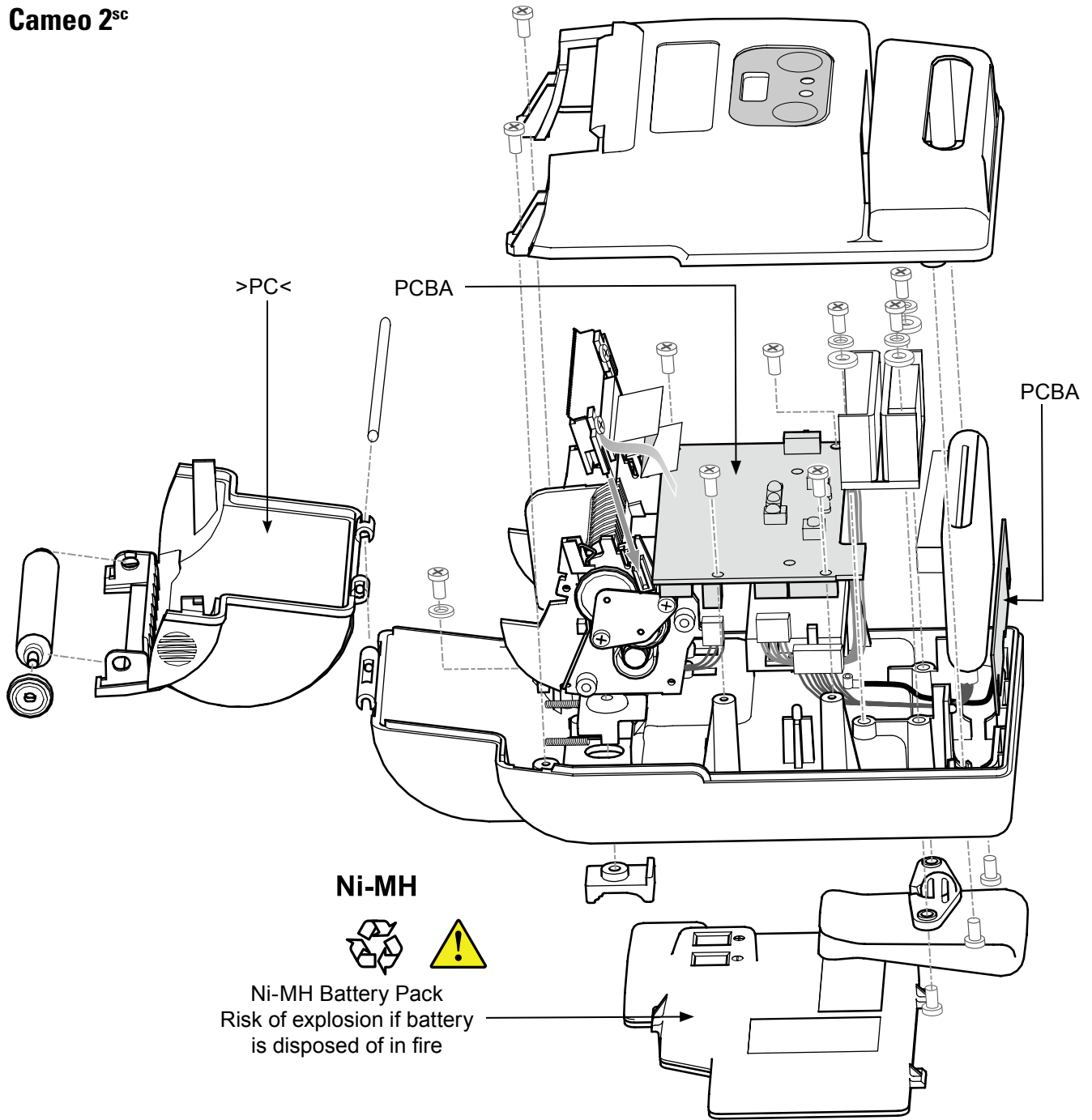




Product Recycling Information

Cameo® 2 Series

June 2005

Cameo 2^{SC}



Ni-MH
 
Ni-MH Battery Pack
Risk of explosion if battery
is disposed of in fire

This document was compiled from information available at the time of publication and is issued only as an information source. No warranty as to accuracy or completeness is expressed or implied. This document is subject to change without notice.