

ZQ521 Printer

October 2022

Product Producer

Zebra Technologies Corporation
3 Overlook Point, Lincolnshire, Illinois 60069

Product Description

Model: ZQ521

Hazardous Substances and Preparations

This product may contain the following substances:

- Hexavalent Chromium may be present in trace amounts in the metal fasteners, brackets and other metal structural components.
- Lead may be present in the PCBAs used in this product.

Batteries

Certain options of this product may contain a lithium-ion (Li-Ion) type battery located on the main control PCBA. This battery must be disposed of in accordance with local regulations.

Information on the assessment of the packaging scheme for this or other Zebra products can be found at: zebra.com/environment

Packaging

The packaging materials used for this product do not contain any of the banned materials listed in the EU packaging directive.

Recycling Information

Zebra Technologies offers product recycling programs in certain geographic areas. To determine if a program is available for this product in your area, please refer to our web site at: zebra.com/environment.

This product is designed with the following features to enhance recycling:

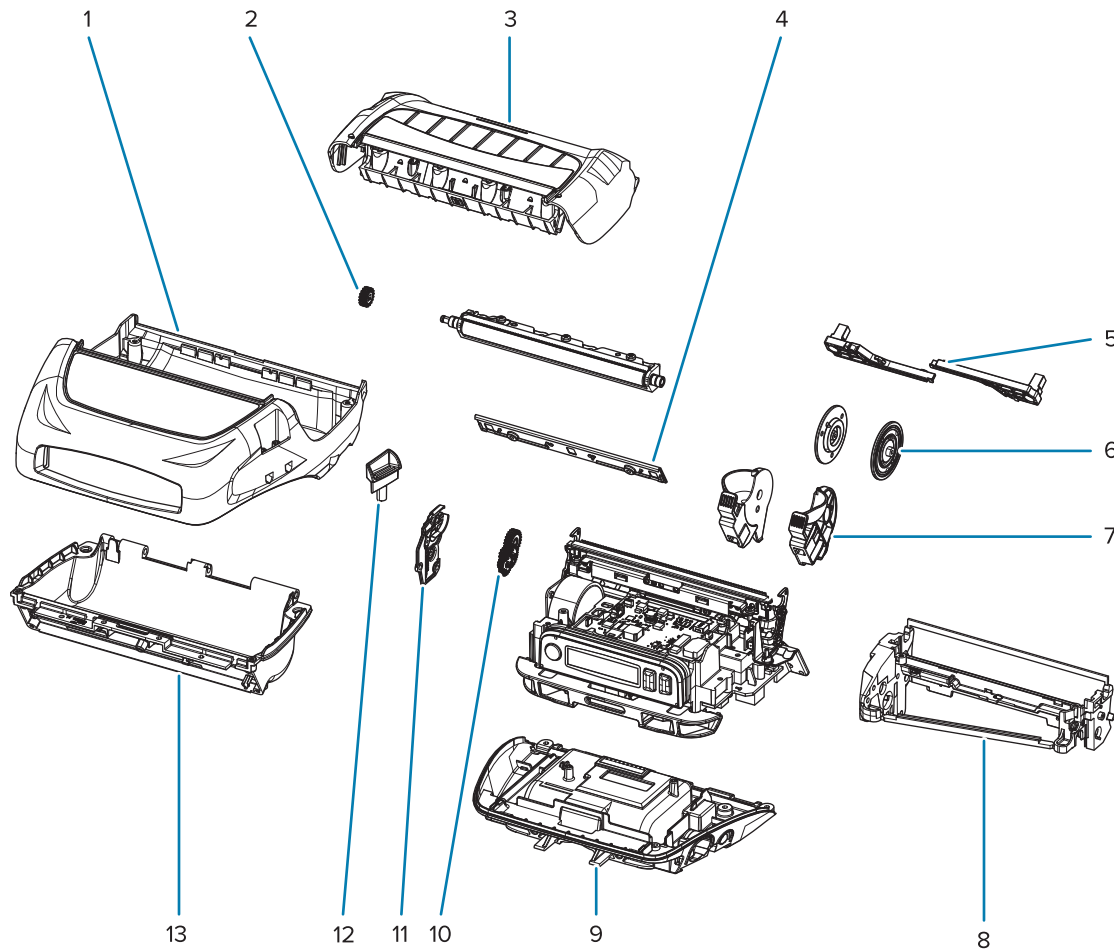
- Glues and adhesives have been eliminated from product construction where feasible.
- Use of common fasteners and/or snap-in features.
- Plastic parts weighing more than 25 g (0.88 oz) are marked according to ISO 11469 standards except where impractical. Exceptions are noted in the following drawings.



NOTE: This document was compiled from information available at the time of publication and is issued only as an information source. No warranty as to accuracy or completeness is expressed or implied. This document is subject to change without notice.

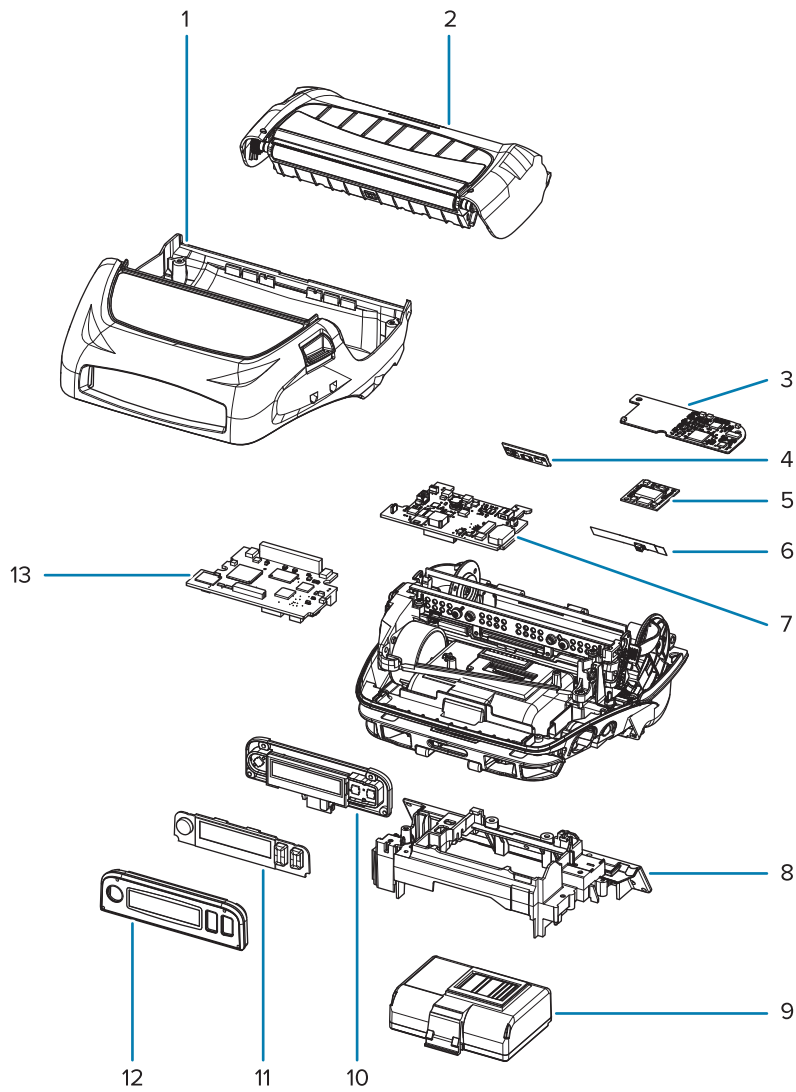


ZQ521 Exterior



1	>PC, TPU<
2	>POM<
3	>PC, TPU<
4	>PC<
5	>PA-GF50<
6	>PC<
7	>PA-GF50<
8	>PP-GF50<
9	>PC<
10	>POM<
11	>POM-GF25<
12	>PC-20GF<
13	>PC<

ZQ521 Electric



1	>PC, TPU<
2	>PC, TPU<
3	PCBA
4	PCBA
5	PCBA
6	PCBA
7	PCBA
8	>PC<
9	Li-ion
10	>PC<

11	>SI<
12	>PC<
13	PCBA