

Introduction

This installation guide provides instruction on how to install the Adapter Bracket Kit (P/N: MNT-VC80-ADPA1-1) to attach the VH10 or the VC80 to the VC5090 U-Mount.

WARNING! The vehicle computer and bracket must be firmly secured to a surface that can support the vehicle computer's weight.

Always use four ϕ 11mm holes with M10 screws to mount the bracket to the desired location. Using different holes and screws may cause damage and/or injury.

CAUTION Mounts used in industrial or vibration generating environments may be subjected to fatigue, stress, and/or part wear. A periodic inspection of the mounting hardware and mounts should be performed to ensure parts are retightened to the correct torque, free from fractures, excessive wear, and/or other environmental damage. Any parts found to be unsafe should be removed and replaced immediately. After inspection or replacement of parts, readjust the mount as required.

Contents

The Adapter Bracket kit includes:

- Adapter Bracket (quantity: 2)
- Friction Pad (quantity: 2)
- M6X1X14 screws and washers (quantity: 4 each)
- M8X1.25X20 screws and washers (quantity: 2 each)
- Installation guide (quantity: 1)

Required Tools

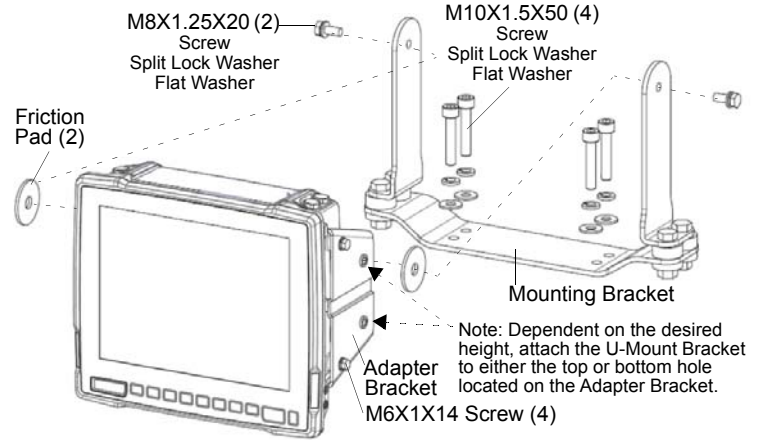
- Socket and Torque wrench for the M6, M8, and M10 screws.

Installation

WARNING! Always disconnect the VC from all battery and A/C power before servicing components.

To install the Adapter Bracket:

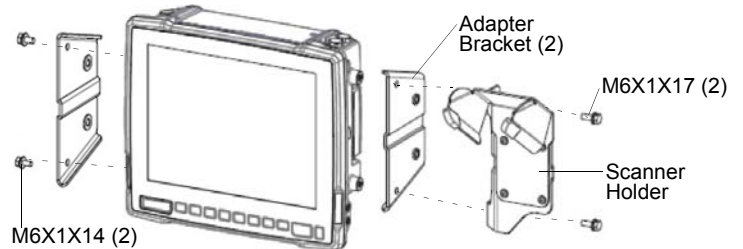
1. Screw the Adapter Brackets onto the VC using the M6X1X14 screws and washers.
 - a. Insert the Split Lock Washer on the screw.
 - b. Insert the Flat Washer on the screw.
 - c. Torque the screws to 3.9 Nm (34.5 in-lbs).
2. Mount the Mounting Bracket in the desired location using the M10X1.5X50 screws, split lock washers, and flat washers (not included in the Adapter Bracket kit). Torque the screws to 42 Nm (31 ft-lbs).
3. Place the Friction Pads onto the thread insert on the Adapter Brackets.
4. Install the subassembly to the Mounting Bracket using the M8X1.25X20 screws and washers. Adjust the VC to the desired angle. Torque the M8 screws to 27.0 Nm (239.0 in-lbs).



Scanner Holder

The Scanner Holder attachment (P/N: KT-SCANMNT-VC80-R) is not included in the Adapter Bracket kit and must be purchased separately. To attach the Scanner Holder:

1. Install the Adapter Bracket on one side of VC using the M6X1X14 screws and washers.
2. Install the Adapter Bracket and Scanner Holder subassembly on the other side of the VC using the M6X1X17 screws. Torque the screws to 3.9 Nm (34.5 in-lbs).



3. Mount the Mounting Bracket in the desired location using the M10X1.5X50 screws and washers (not included in the Adapter Bracket kit). Torque the screws to 42 Nm (31 ft-lbs).
4. Place the Friction Pads onto the thread insert on the Adapter Brackets.
5. Install the subassembly to the Mounting Bracket using the M8X1.25X20 screws and washers. Adjust the VC to the desired angle. Torque the M8 screws to 27.0 Nm (239.0 in-lbs).

