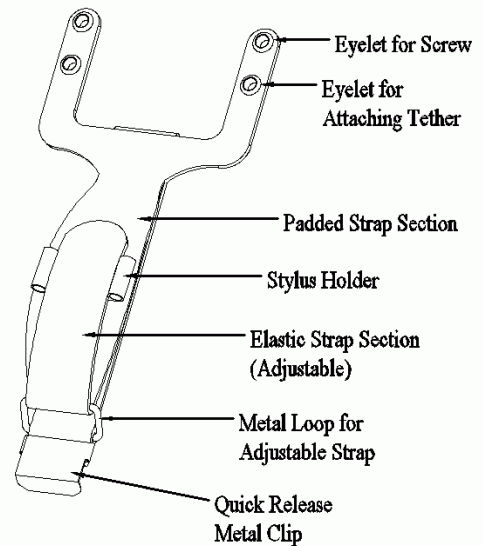
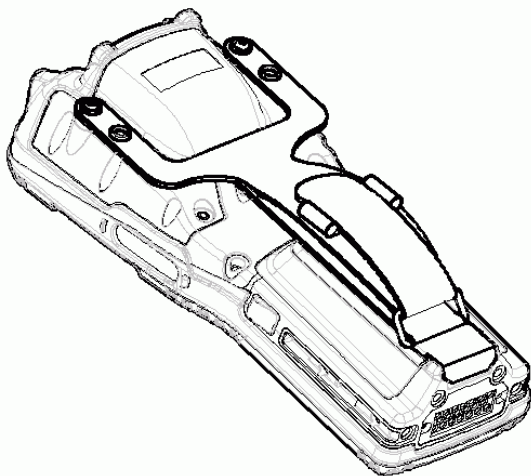
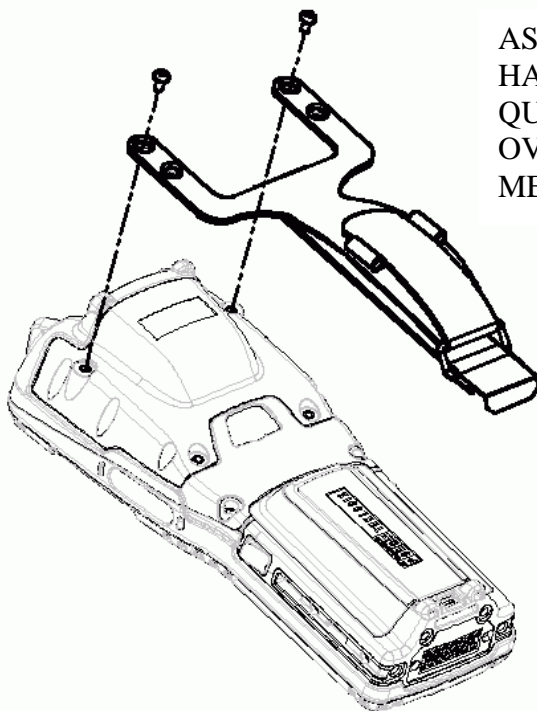


# Installation Instruction for ST6025 Double Loop Handstrap

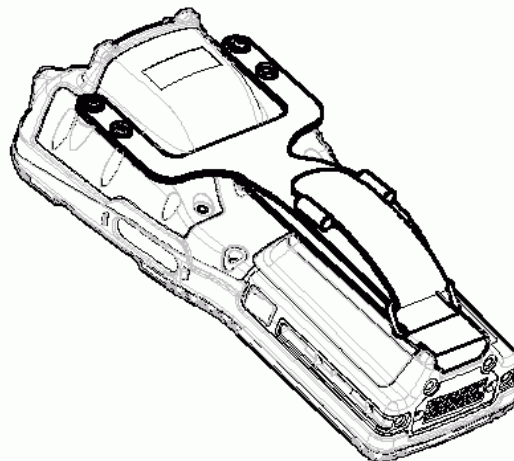
## I. Installation of the Double Loop Handstrap



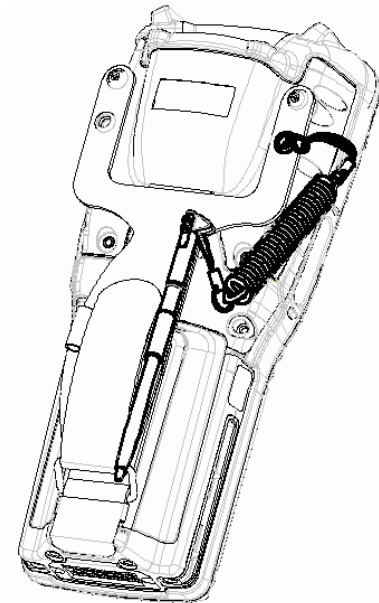
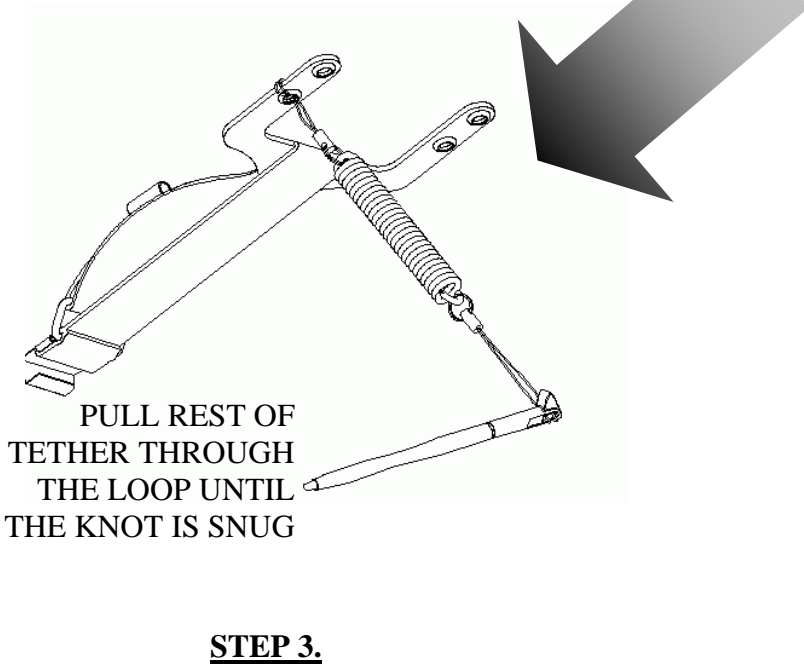
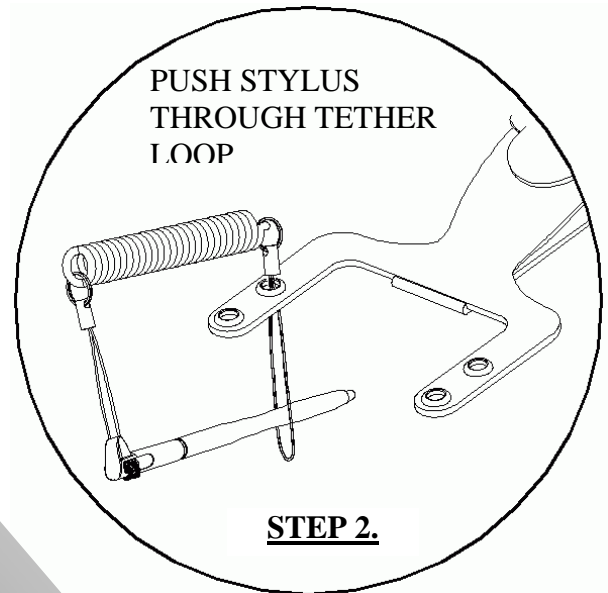
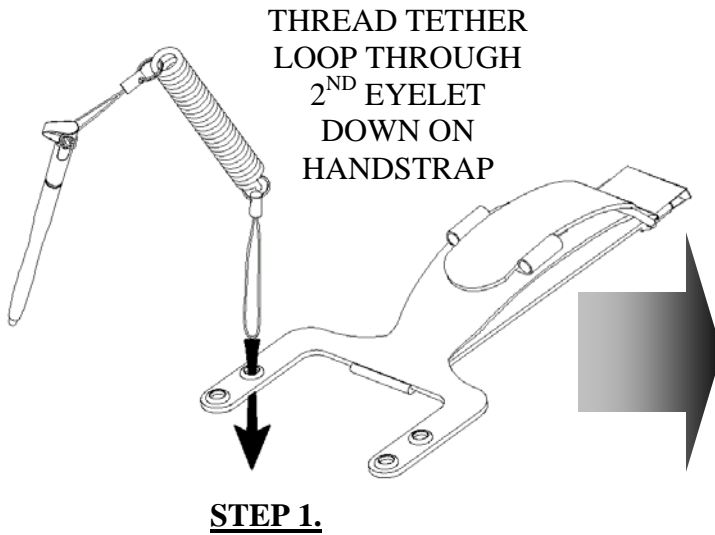
### HANDSTRAP INSTALLATION



ASSEMBLE THE SCREWS M3X6MM TO OMNII HANDHELD. TIGHTEN TO 5.0 ±0.5 IN-LBS OR ONE-QUARTER TURN BEYOND FINGER TIGHT. DO NOT OVERTIGHTEN. PULL DOWN STRAP AND HOOK METAL CLIP INTO SLOT AT BOTTOM AS SHOWN.



**STYLUS TETHER INSTALLATION ON DOUBLE LOOP HANDSTRAP**



**COMPANY HEADQUARTERS AND CANADIAN SERVICE CENTRE**  
PSION TEKLOGIX  
2100 Meadowvale Boulevard, Mississauga  
Ontario, Canada L5N 7J9  
Tel: +1 905 813 9900  
Fax: +1 905 812 6300  
E-mail: salescdn@psion.com