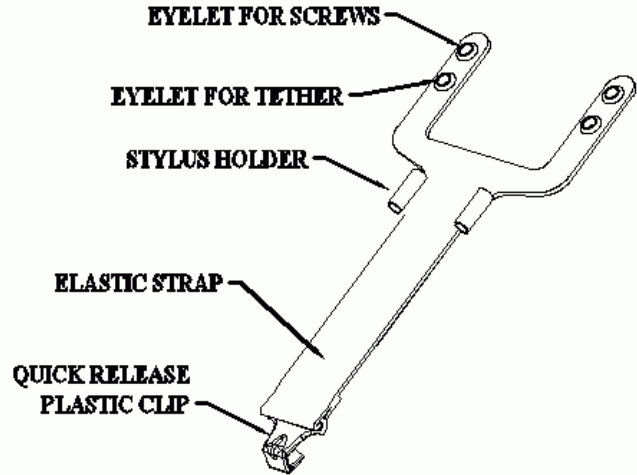
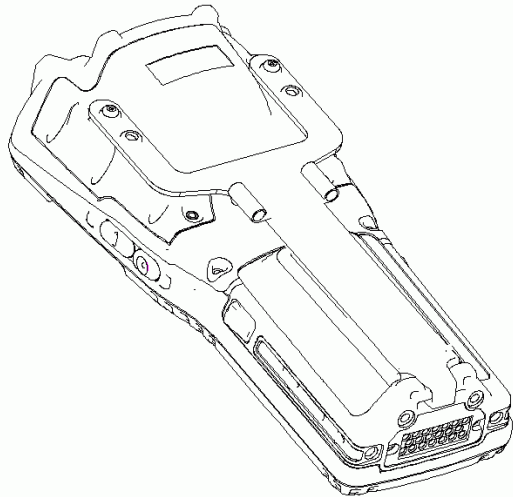
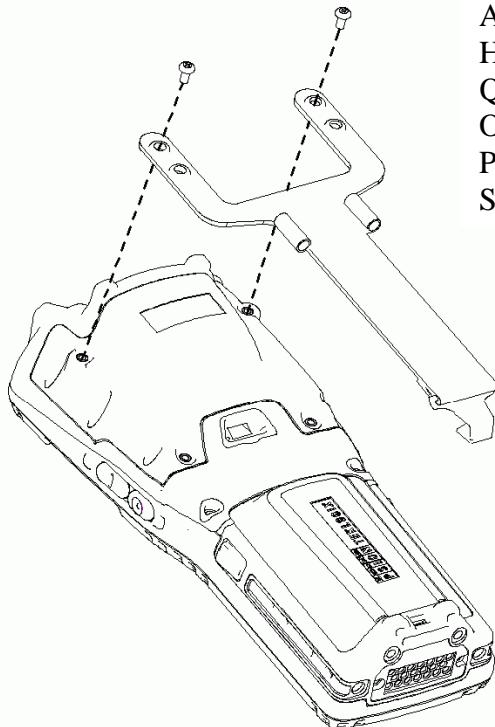


Installation Instruction for ST6026 Standard Handstrap

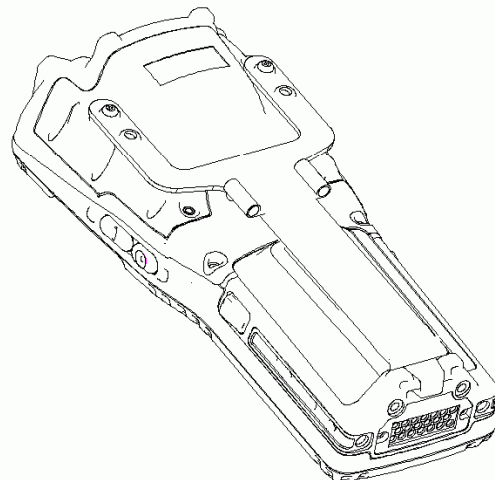
I. Installation of the Standard Handstrap



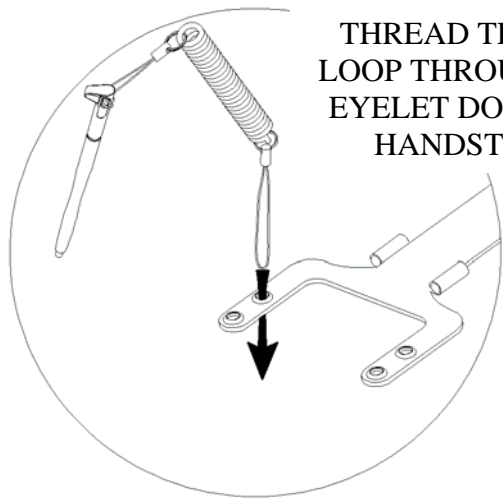
HANDSTRAP INSTALLATION



ASSEMBLE THE SCREWS M3X6MM TO OMNII HANDHELD. TIGHTEN TO 5.0 ±0.5 IN-LBS OR ONE-QUARTER TURN BEYOND FINGER TIGHT. DO NOT OVERTIGHTEN. PULL DOWN STRAP AND HOOK PLASTIC CLIP INTO SLOT AT BOTTOM AS SHOWN.

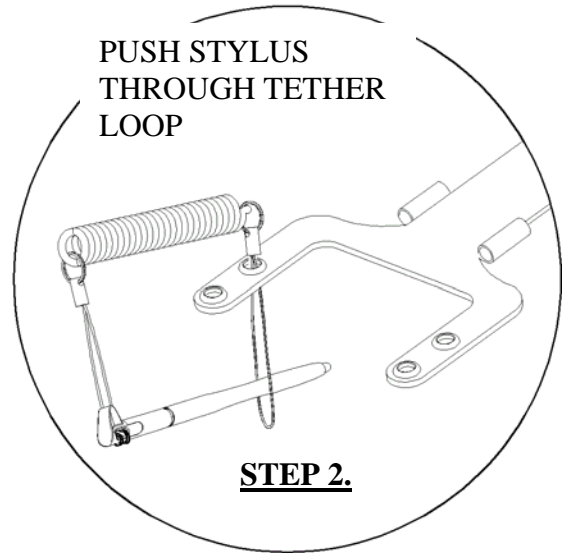


STYLUS TETHER INSTALLATION ON STANDARD HANDSTRAP



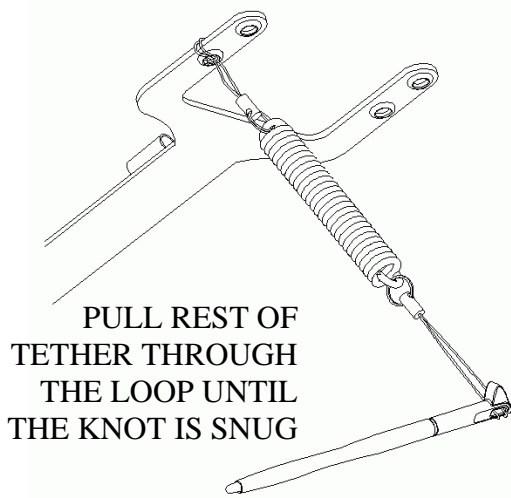
THREAD TETHER
LOOP THROUGH 2ND
EYELET DOWN ON
HANDSTRAP

STEP 1.



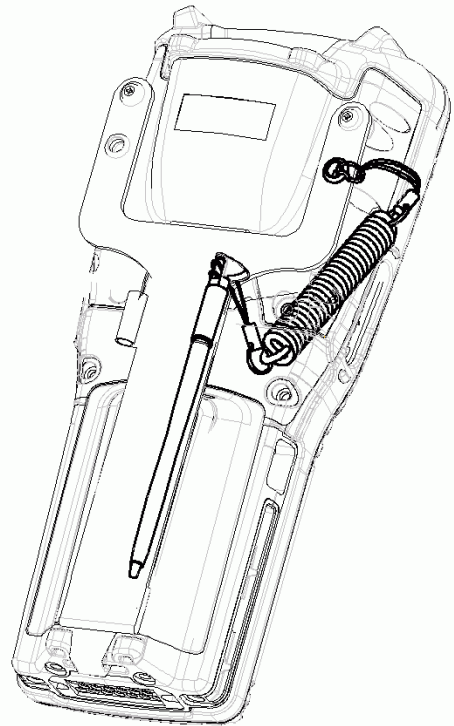
PUSH STYLUS
THROUGH TETHER
LOOP

STEP 2.



PULL REST OF
TETHER THROUGH
THE LOOP UNTIL
THE KNOT IS SNUG

STEP 3.



COMPANY HEADQUARTERS AND CANADIAN SERVICE CENTRE

PSION TEKLOGIX
2100 Meadowvale Boulevard, Mississauga
Ontario, Canada L5N 7J9
Tel: +1 905 813 9900
Fax: +1 905 812 6300
E-mail: salescdn@psion.com