

OMNII™ STANDARD END-CAP KIT INSTALLATION SHEET

1. Introduction

This instruction sheet describes how to install a standard end-cap kit (without antennas) on an Omnii™ hand-held computer. This applies to kits ST9301, ST9304, ST9307, ST9308 and ST9309.



Warning: The installation of any components must be performed using the appropriate anti-static devices. If unavailable, discharge static from your body by touching a grounded metallic object before opening any covers on the hand-held.

Warning: Psion scanners contain Class 2M (or lesser) laser products. Direct exposure to laser radiation can cause serious eye damage. DO NOT stare into the beam, or view directly with optical instruments (binoculars, telescopes or magnifiers).

This kit includes the following items:

- Standard end-cap
- T10 Torx screws (x4)

For this procedure, you will need:

- T10 Torx screwdriver
- T6 Torx screwdriver

2. Preparation



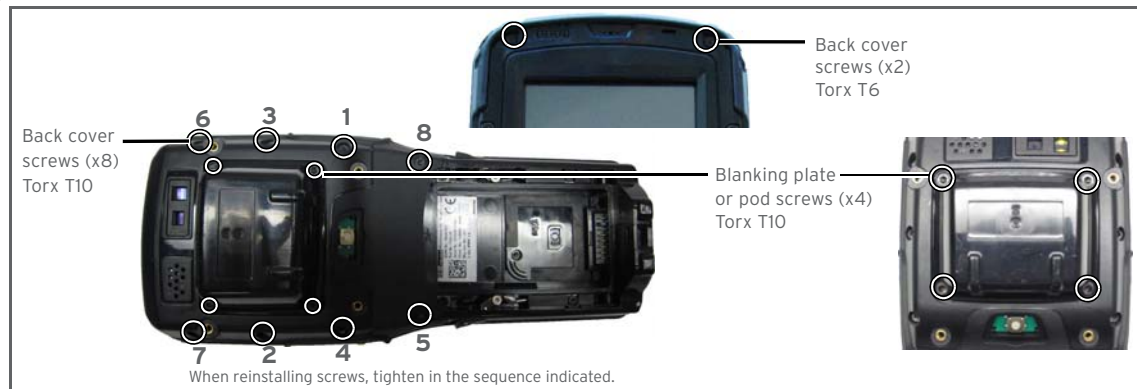
Warning: Always disconnect Omnii from all battery & A/C power before servicing components.

1. Remove the battery.
2. If you are replacing an existing end-cap, use a T10 Torx screwdriver to remove the four screws in the end-cap, then detach the end-cap from the unit.



If you are installing the standard end-cap without any data capture device (kit ST9301), proceed directly to step 2 of the Installation section now to attach the new end-cap.

Figure 1



3. Remove the blanking plate or pod using a Torx T10 screwdriver (four screws). In the case of a pod, disconnect the flex cable from the pod.
4. Use a Torx T6 screwdriver to remove the two top-most screws on the front of the unit, just above the display.
5. Use a Torx T10 screwdriver to remove the eight T10 screws holding the back cover to the main housing. The screw locations are shown in Figure 1.
6. Carefully separate the back cover from the main housing. Disconnect any connecting wires (e.g. pistol grip trigger/speaker wire, camera flex cable).

3. Installation

1. Route the scanner/imager flex cable from the end-cap through the hole in the top of the back cover.

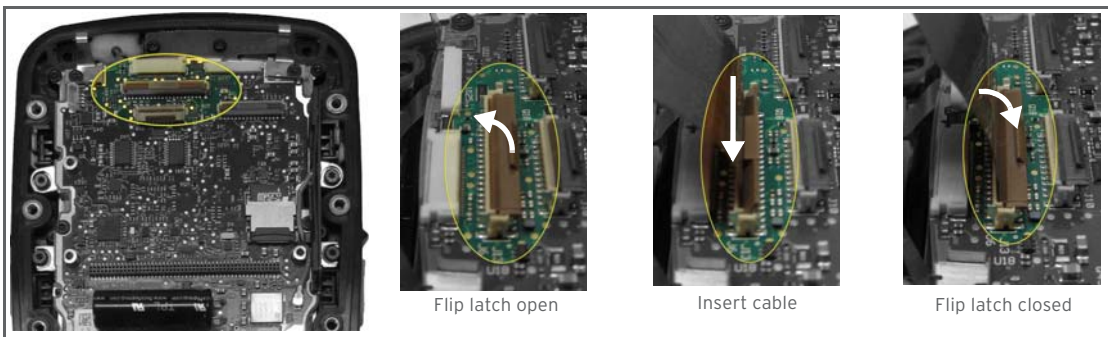


2. Fit the end-cap in place on the top of the hand-held, and use a T10 Torx screwdriver to tighten the four screws to a torque of 5 in-lb (0.56 N-m).

If you are installing the standard end-cap without any data capture device (kit ST9301), proceed to step 11 to complete the procedure.

3. If a scanner/imager flex cable is present in the end-cap, install the cable in socket J13 on the main logic board as shown in Figure 2. If no cable has previously been installed in this socket, there may be a piece of "dummy" stiffener material present in the socket, which must be removed before inserting the cable.

Figure 2



4. If a camera is installed in the back cover, repeat the instructions in step 3 to secure the camera flex cable in socket J9 of the main logic board.
5. Insert the pistol grip trigger/speaker wire harness in the white socket on the left side of the main logic board.



6. Fit the back cover in place against the main housing, ensuring that no cables are caught in the seal. If a pod flex cable is installed, ensure that the free end can be accessed through the pod opening in the back cover.
7. Use a Torx T10 screwdriver to tighten the eight screws (M3x6 mm) to a torque of 5 in-lb (0.56 N-m). Install the screws in the sequence shown in Figure 1 on the previous page to ensure a consistent seal around the opening.
8. Using a Torx T6 screwdriver, replace the two screws (M2x8 mm) above the display on the front of the unit. Torque to 2.5 in-lb (0.28 N-m).
9. If you are reattaching a pod, connect the flex cable to the pod.
10. Reattach the pod or blanking plate using a Torx T10 screwdriver and four screws (M3x5 mm).
11. Install the battery.

COMPANY HEADQUARTERS

Psion Inc.
 2100 Meadowvale Boulevard, Mississauga
 Ontario, Canada L5N 7J9
 Tel: +1 905 813 9900
 Fax: +1 905 812 6300

SUPPORT SERVICES

For local support services, go to:
<http://www.pSION.com/service-and-support.htm>