

TC52x/TC57x/ TC52ax Trigger Handle Installation Guide

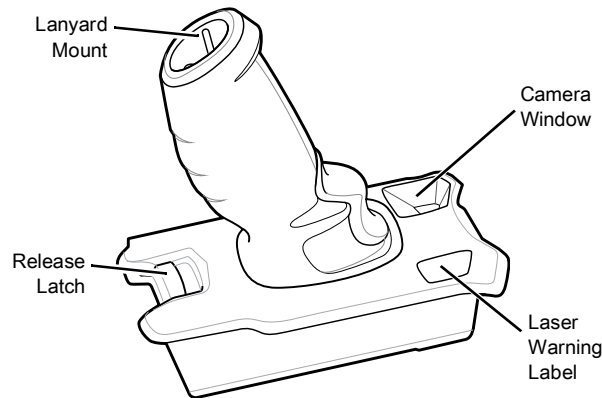
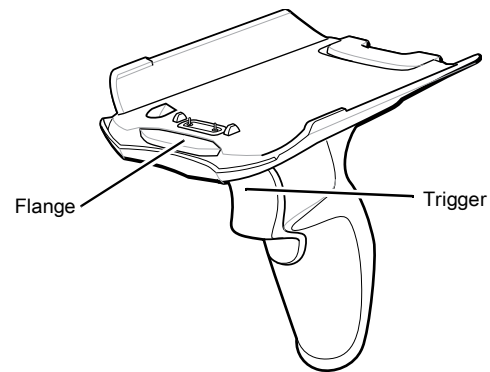


MN-004211-01EN — 04/21

Zebra Technologies | 3 Overlook Point | Lincolnshire, IL 60069 USA
www.zebra.com

ZEBRA and the stylized Zebra head are trademarks of Zebra Technologies Corp., registered in many jurisdictions worldwide. All other trademarks are the property of their respective owners. © 2021 Zebra Technologies Corp. and/or its affiliates. All rights reserved.

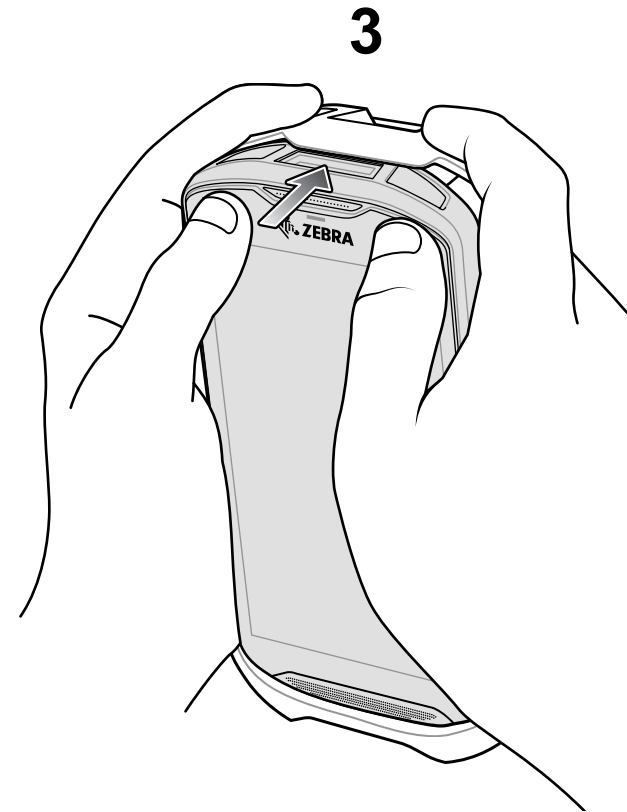
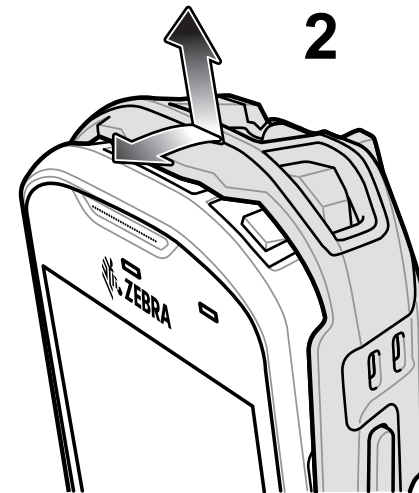
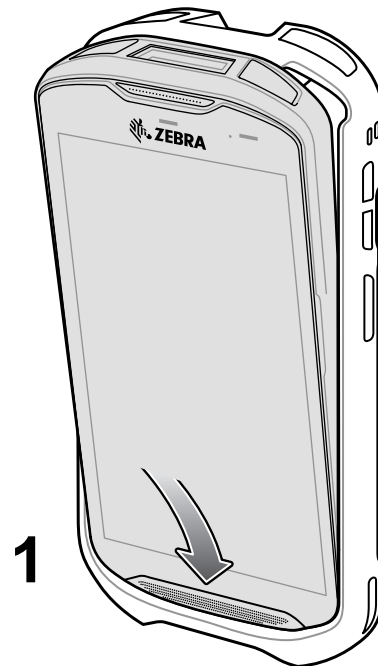
Features



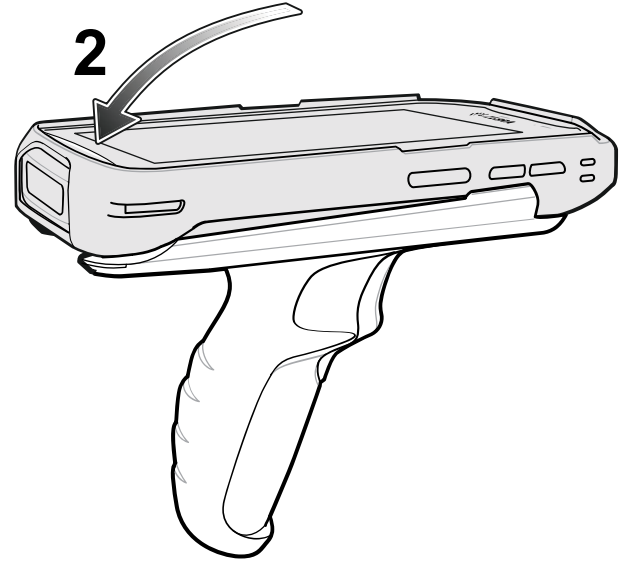
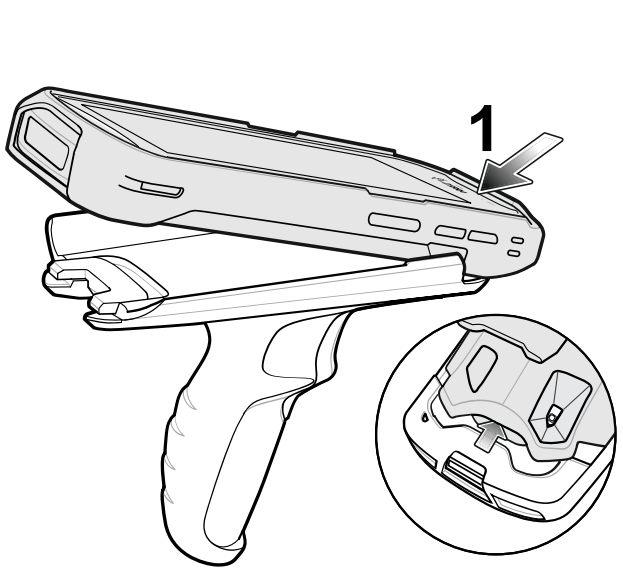
Rugged Boot Installation



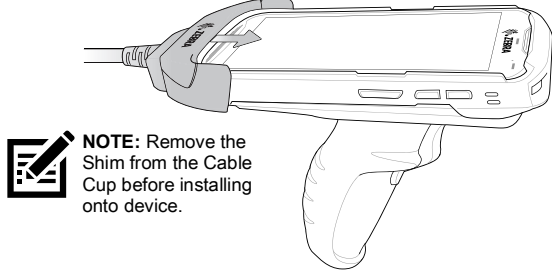
NOTE: If a hand strap is installed, remove it prior to installing the rugged boot.



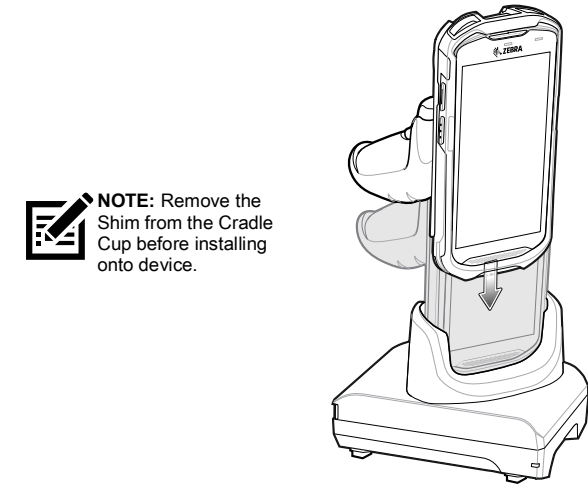
Device Installation



Charging

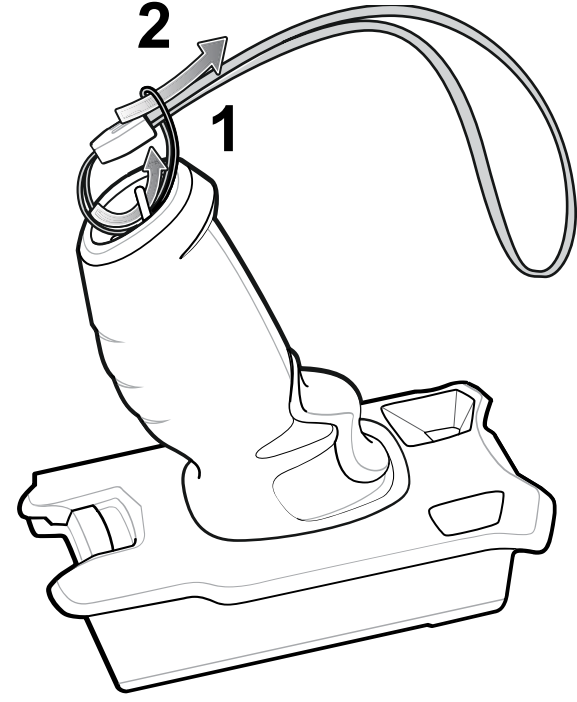


NOTE: Remove the Shim from the Cable Cup before installing onto device.



NOTE: Remove the Shim from the Cradle Cup before installing onto device.

Optional Lanyard Installation



Removal

