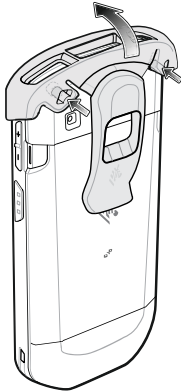
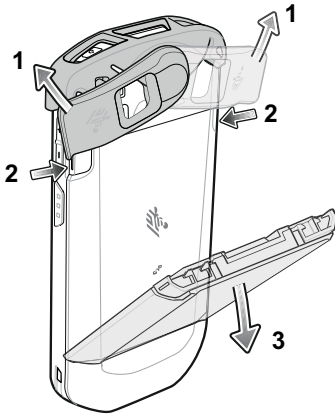


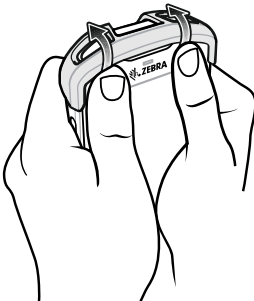
## Installation



## Battery Removal



## Removal



ZEBRA and the stylized Zebra head are trademarks of Zebra Technologies Corp., registered in many jurisdictions worldwide. All other trademarks are the property of their respective owners. © 2021 Zebra Technologies Corp. and/or its affiliates. All rights reserved. | [www.zebra.com](http://www.zebra.com)

