

# TC53/TC58 Trigger Handle Installation Guide

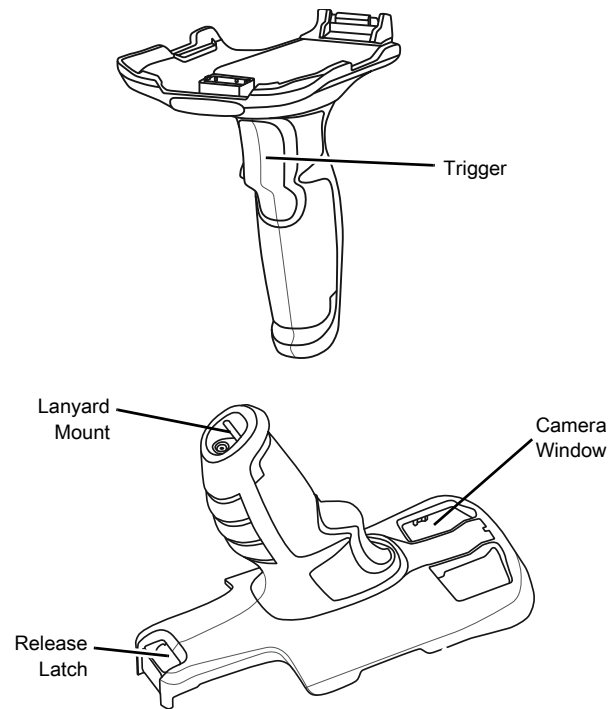


MN-004408-01EN — 02/22

Zebra Technologies | 3 Overlook Point | Lincolnshire, IL 60069 USA  
www.zebra.com

ZEBRA and the stylized Zebra head are trademarks of Zebra Technologies Corp., registered in many jurisdictions worldwide. All other trademarks are the property of their respective owners. © 2022 Zebra Technologies Corp. and/or its affiliates. All rights reserved.

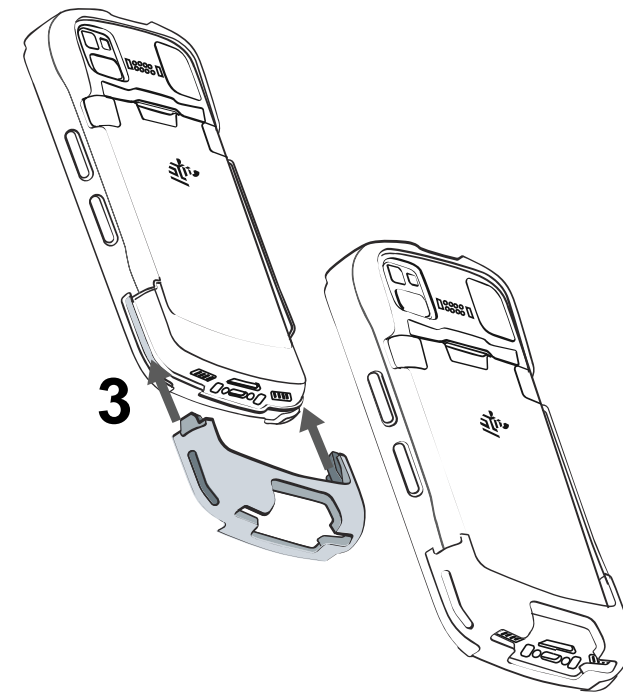
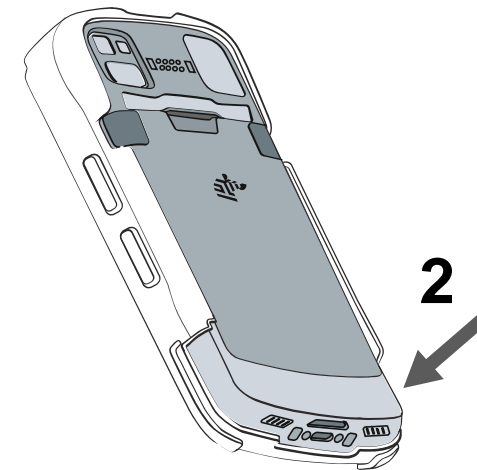
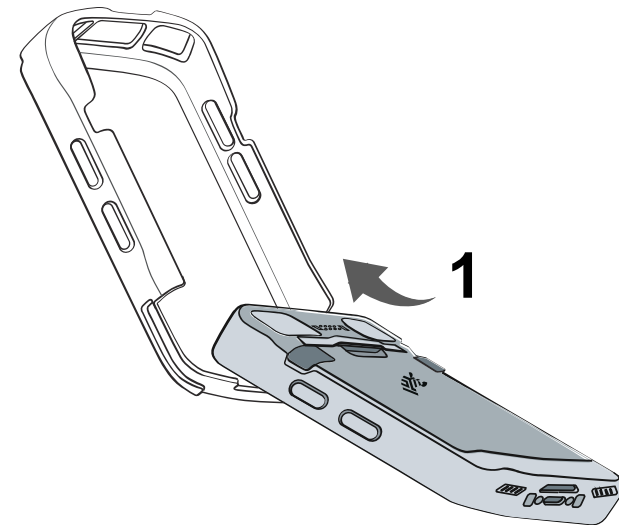
## Features



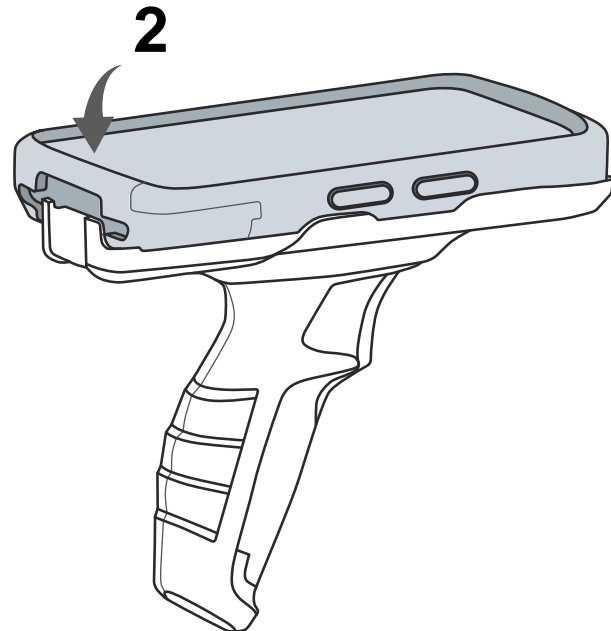
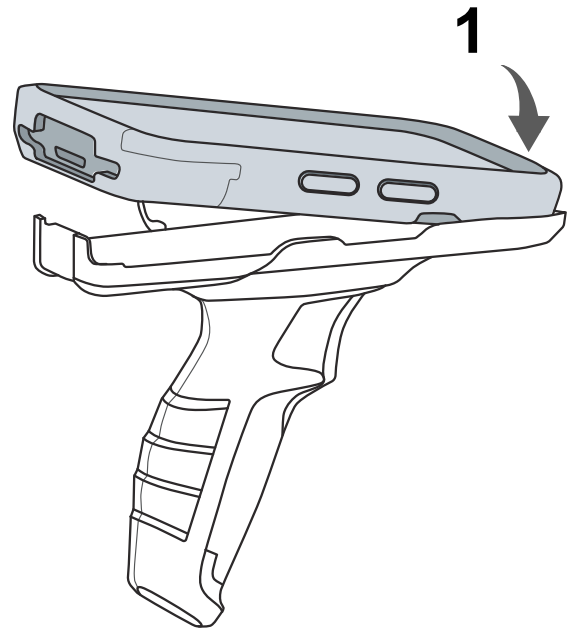
## Rugged Boot Installation



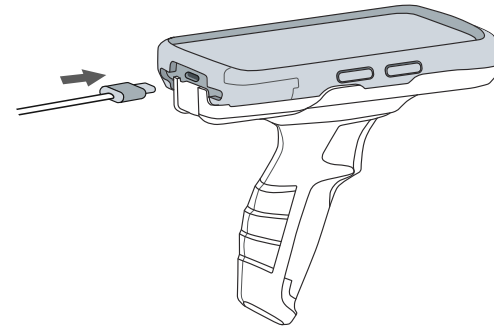
**NOTE:** Install the boot prior to trigger installation. If a hand strap is installed, remove it prior to installing the rugged boot and trigger handle.



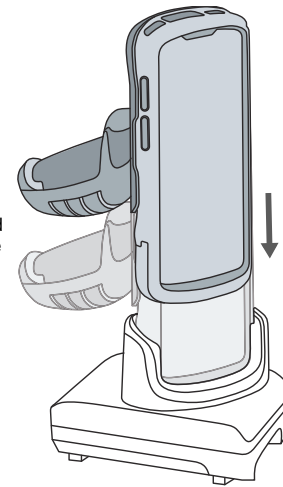
### Device Installation



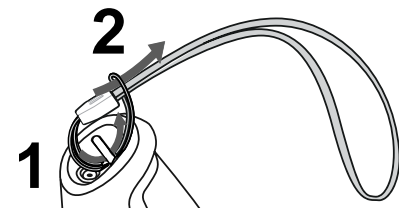
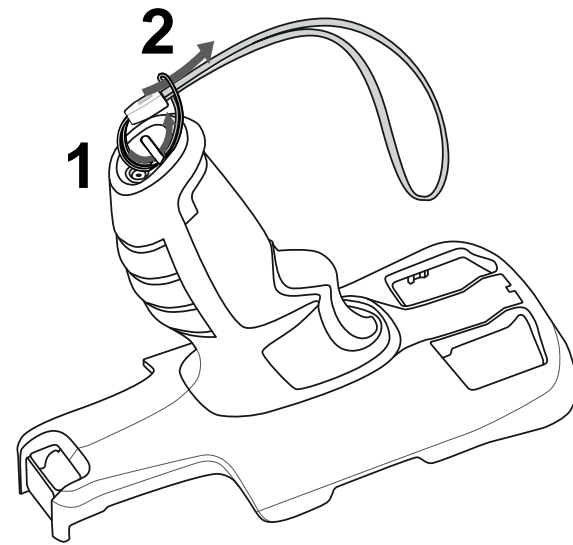
### Charging



**NOTE:**  
Ensure the shim used is compatible with the boot.



### Optional Lanyard Installation



### Removal

