

FX9600 RFID Reader Isolator Forktruck Mount



Installation Instructions

This kit includes the parts and documentation necessary to install the FX9600 RFID Reader Forktruck Isolator Mount.

Read these instructions thoroughly before installing this kit.

Parts List

Before proceeding, verify that the kit contains the items for the truck mount listed in Table 1 on page 2.

Figure 1 Kit Contents

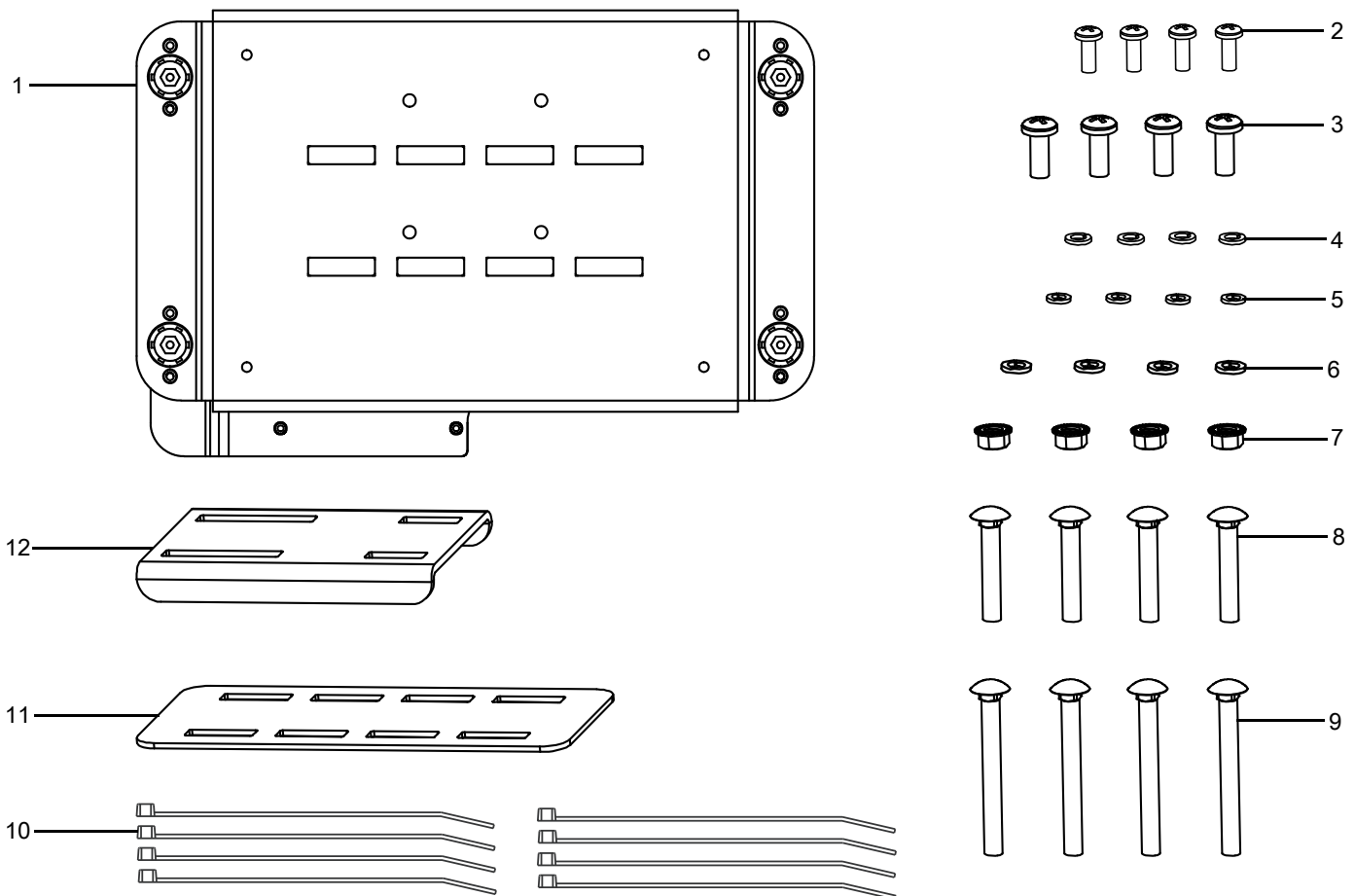


Table 1 Parts List

✓	Item	Description	Qty
	Ref	FX9600 RFID Reader Isolator Forktruck Mount	
	1	Device Plate	1
	2	#8 Machine Screws 32 X 0.5 in.	4
	3	#10 Machine Screws 32 X 0.5 in. (optional)	4
	4	#8 Flat Washers	4
	5	#8 Split Lock Washers	4
	6	#10 Split Lock Washers	4
	7	Serrated Lock Nuts 3/8 in.	4
	8	Carriage Bolts 3/8 x 3.5 in.*	4
	9	Carriage Bolts 3/8 x 6 in.*	4
	10	Cable Ties	8
	11	Stiffener Plate	1
	12	Back Plate	1

*Two sizes of carriage bolts are supplied in the kit. Use the carriage bolts that best fit your application.

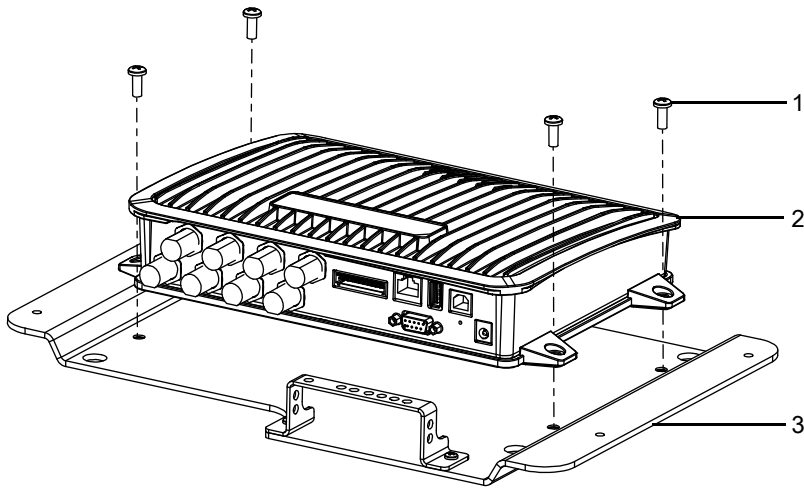
Tools Required



- Phillips Screwdriver Set
- SAE Wrench Set
- SAE Socket Set
- Safety Glasses

Attach the FX9600 RFID Reader to the Device Plate

1. Use a Phillips screwdriver to secure the FX9600 to the device plate with the four #10 machine screws.



1	#10 Machine screws 32 X 0.5 in. (Qty 4)
2	FX9600
3	Device plate

2. Tighten the machine screws to 3 Nm (27 in-lb).

Mount the FX9600 Reader

There are two options for mounting the FX9600 Isolator Forktruck Mount. Those mounting options are on:

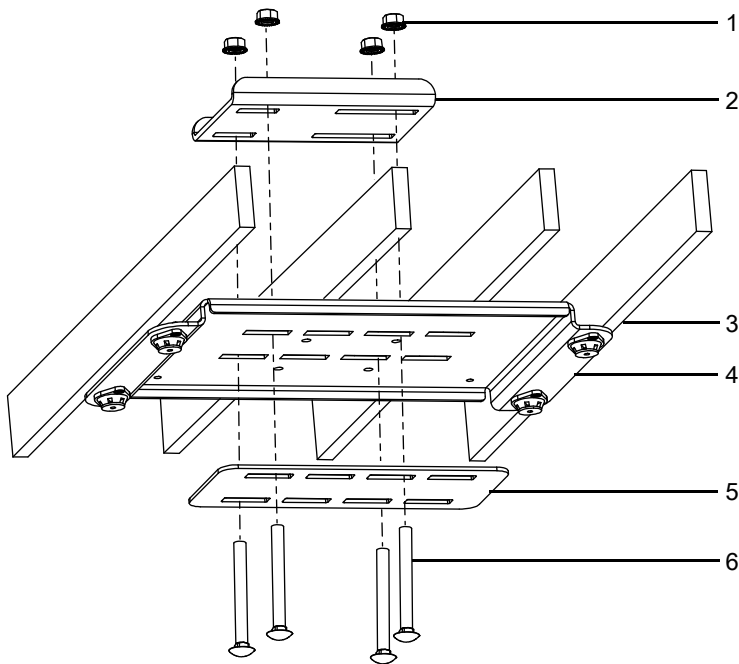
- Overhead guard
- Overhead guard leg

Overhead Guard Mount

1. Insert the carriage bolts through the stiffener plate and the isolator base plate, past the overhead guard bars, and through the back plate.



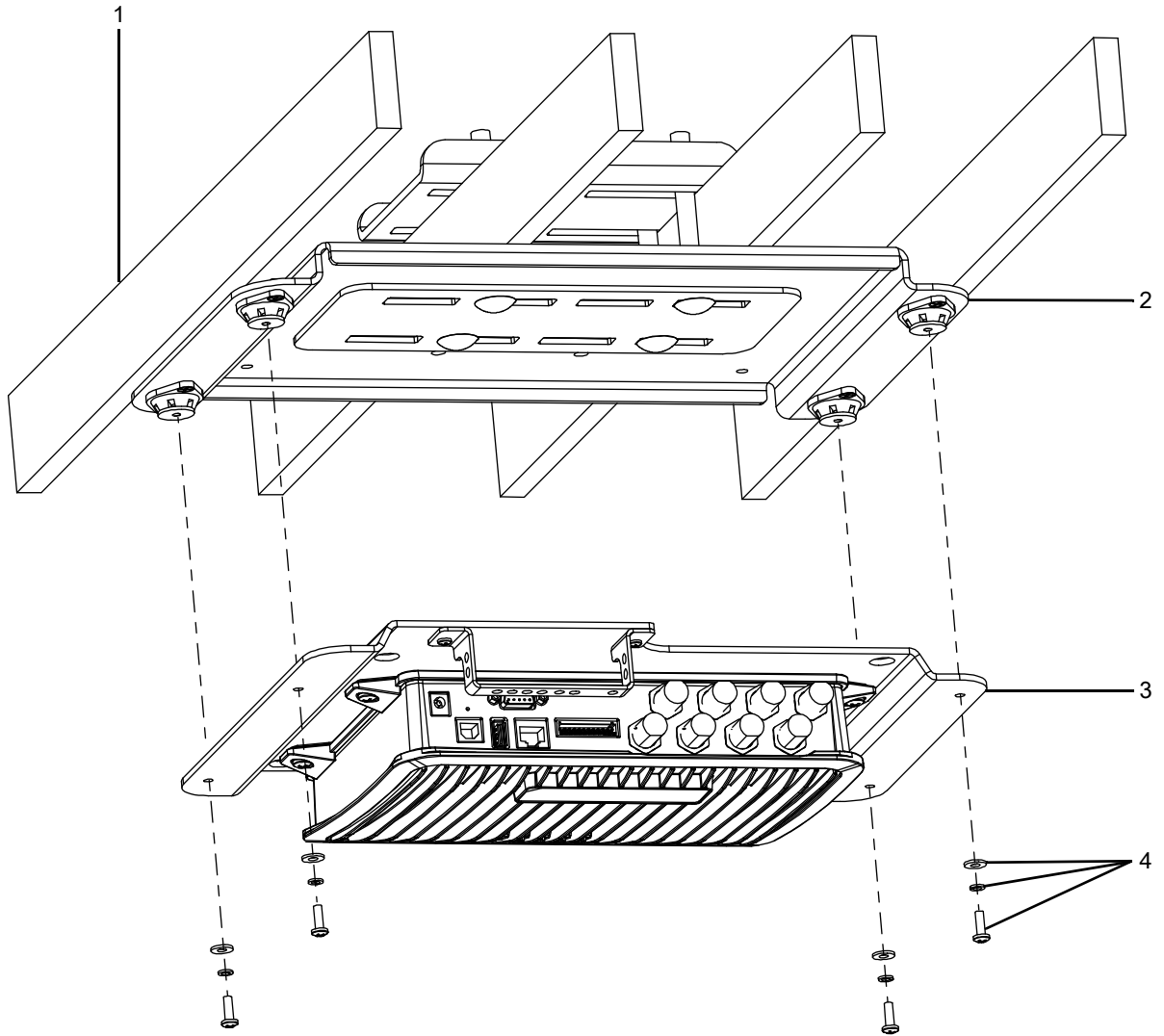
NOTE: It is the best practice for the stiffener plate to span two or more of the overhead guard bars when possible.



1	Serrated lock nuts 3/8 in. (Qty 4)
2	Back plate
3	Overhead guard bars
4	Isolator base plate
5	Stiffener plate
6	Carriage bolts 3/8 in. (Qty 4)

2. Tighten the serrated lock nuts to 11 Nm (100 in-lb).

3. Attach the device plate and FX9600 assembly to the carriage assembly with the #8 split lock washers, 0.5 in. machine screws, and flat washers.

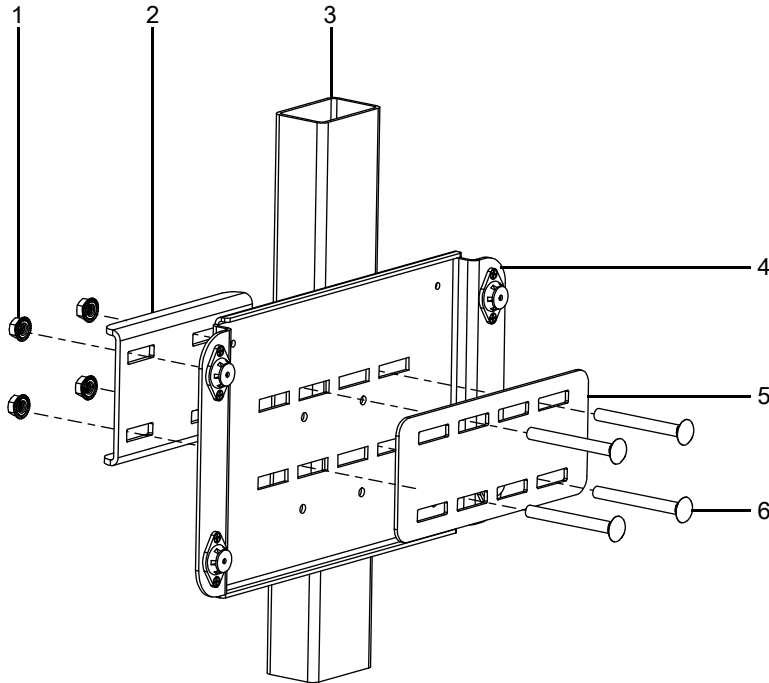


1	Overhead guard bars
2	Mounted carriage assembly
3	Device plate and FX9600 assembly
4	#8 Flat washers (Qty 4)
	#8 Split lock washers (Qty 4)
	#8 Machine screws 0.5 in. (Qty 4)

4. Tighten the machine screws to 2 Nm (20 in-lb).

Overhead Guard Leg Mount

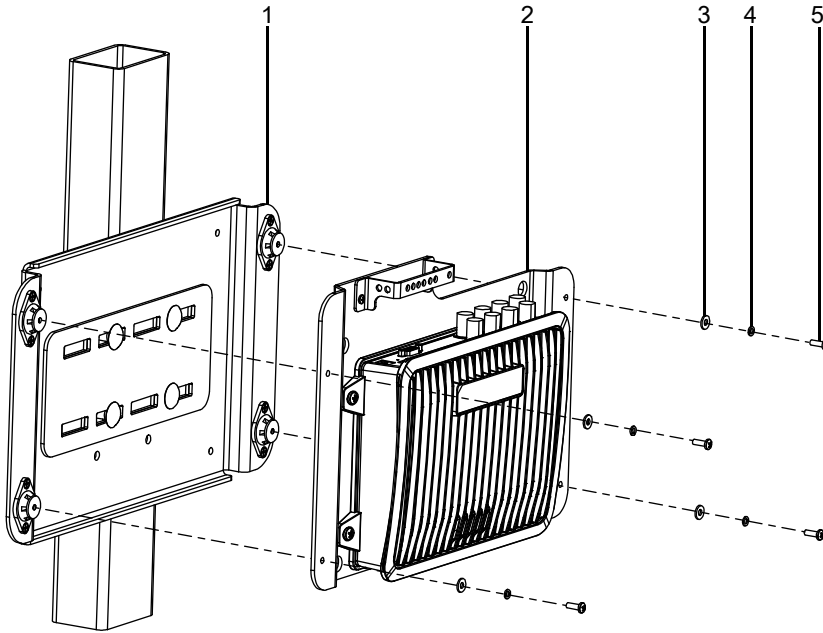
1. Insert four carriage bolts through the stiffener plate and the isolator base plate, past the overhead guard support leg, and through the back plate.



1	Serrated lock nuts 3/8 in. (Qty 4)
2	Back plate
3	Overhead guard support leg
4	Isolator base plate
5	Stiffener plate
6	Carriage bolts 3/8 in. (Qty 4)

2. Tighten the serrated lock nuts to 11 Nm (100 in-lb).

3. Attach the device plate and FX9600 assembly to the carriage assembly with four #8 split lock washers, 0.5 in. machine screws, and flat washers.

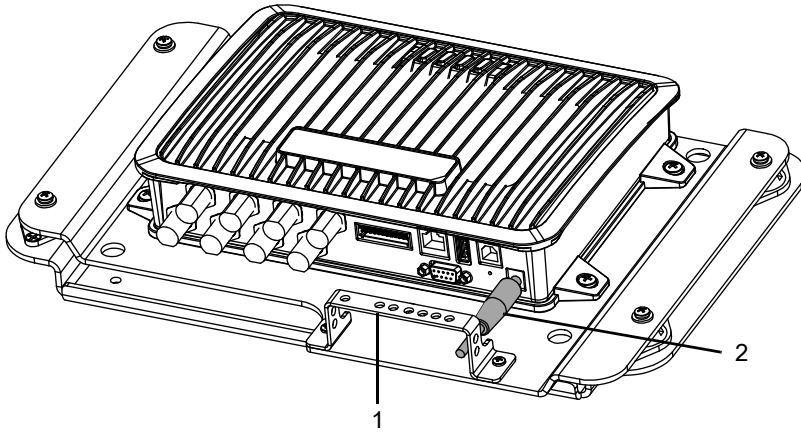


1	Mounted carriage assembly
2	FX9600 device plate assembly
3	#8 Flat washers (Qty 4)
4	#8 Split lock washers (Qty 4)
5	#8 Machine screws 0.5 in. (Qty 4)

4. Tighten the machine screws to 2 Nm (20 in-lb).

Cable Routing

1. Connect the antennas and cables as instructed in the FX Series Fixed Reader Integration Guide. Ensure that all cables are routed beneath the cable restraint bracket.



1	Cable restraint bracket
2	Power supply to FX9600

2. Secure all cables to the cable restraint bracket with the supplied cable ties.

Installation Complete