

ET40/45

Enterprise Tablet



ZEBRA

Quick Start Guide

2023/07/28

ZEBRA and the stylized Zebra head are trademarks of Zebra Technologies Corporation, registered in many jurisdictions worldwide. All other trademarks are the property of their respective owners. ©2023 Zebra Technologies Corporation and/or its affiliates. All rights reserved.

Information in this document is subject to change without notice. The software described in this document is furnished under a license agreement or nondisclosure agreement. The software may be used or copied only in accordance with the terms of those agreements.

For further information regarding legal and proprietary statements, please go to:

SOFTWARE: zebra.com/linkoslegal.

COPYRIGHTS: zebra.com/copyright.

PATENTS: ip.zebra.com.

WARRANTY: zebra.com/warranty.

END USER LICENSE AGREEMENT: zebra.com/eula.

Terms of Use

Proprietary Statement

This manual contains proprietary information of Zebra Technologies Corporation and its subsidiaries ("Zebra Technologies"). It is intended solely for the information and use of parties operating and maintaining the equipment described herein. Such proprietary information may not be used, reproduced, or disclosed to any other parties for any other purpose without the express, written permission of Zebra Technologies.

Product Improvements

Continuous improvement of products is a policy of Zebra Technologies. All specifications and designs are subject to change without notice.

Liability Disclaimer

Zebra Technologies takes steps to ensure that its published Engineering specifications and manuals are correct; however, errors do occur. Zebra Technologies reserves the right to correct any such errors and disclaims liability resulting therefrom.

Limitation of Liability

In no event shall Zebra Technologies or anyone else involved in the creation, production, or delivery of the accompanying product (including hardware and software) be liable for any damages whatsoever (including, without limitation, consequential damages including loss of business profits, business interruption, or loss of business information) arising out of the use of, the results of use of, or inability to use such product, even if Zebra Technologies has been advised of the possibility of such damages. Some jurisdictions do not allow the exclusion or limitation of incidental or consequential damages, so the above limitation or exclusion may not apply to you.

Unpacking the Device

- 1.** Carefully remove all protective material from the device and save the shipping container for later storage and shipping.
- 2.** Verify the following items are in the box:
 - Tablet
 - Regulatory Guide
- 3.** Inspect the equipment for damage. If any equipment is missing or damaged, contact the Global Customer Support Center immediately.
- 4.** Before using the device for the first time, remove the protective shipping film that covers the scan window, display, and camera window.

Repair or Replacement

For purchasing a new battery for repair and replacement a battery, go to [Request a Repair](#).

Repair and replacement services of ET40/45 for 3 to 5 years from the date of sale can be purchased from [One Care Support Services](#)

Device Features

Figure 1 Front View

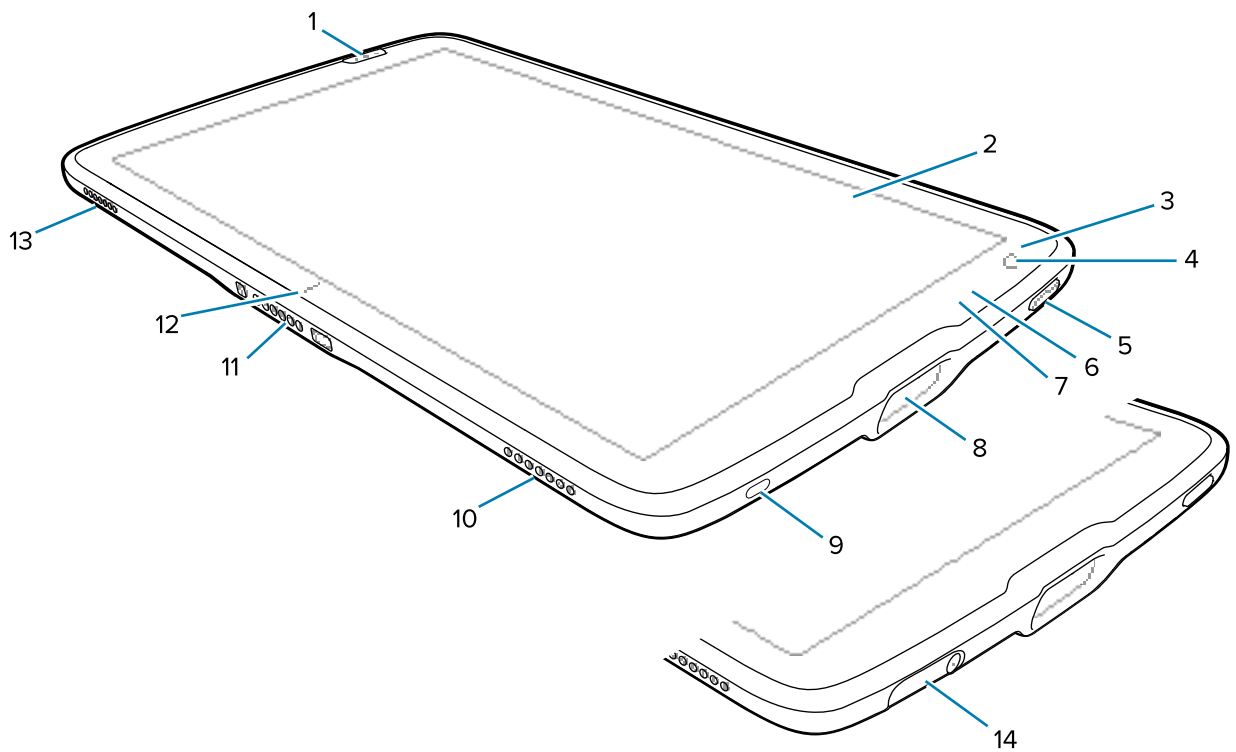


Table 1 Device Front View

Number	Item	Description
1	Front scan button	Initiates barcode data capture when a scan-enabled application is active.
2	Touch screen	Displays all information needed to operate the device.
3	Light sensor	Determines ambient light for controlling display back light intensity.
4	Front camera	Use for video conferencing.
5	Power button	Turns the display on and off. Press and release to power on the device. Press and hold to reset the device or power off.

Table 1 Device Front View (Continued)

Number	Item	Description
6	Data capture LED	Illuminates during data capture.
7	Charging indicator LED	Indicates power state and battery charging status while charging and application generated notifications.
8	Scan window	Provides data capture using the imager.
9	USB-C port	Provides USB host and client communications.
10	Right speaker	Provides audio output.
11	Interface connector	Provides communication to the device from the dock.
12	Cradle alignment indicator	Use to assist in aligning the tablet with a cradle.
13	Left speaker	Provides audio output.
14	USB port cover	Use to seal the USB port. Available on healthcare devices only.

Figure 2 Rear View

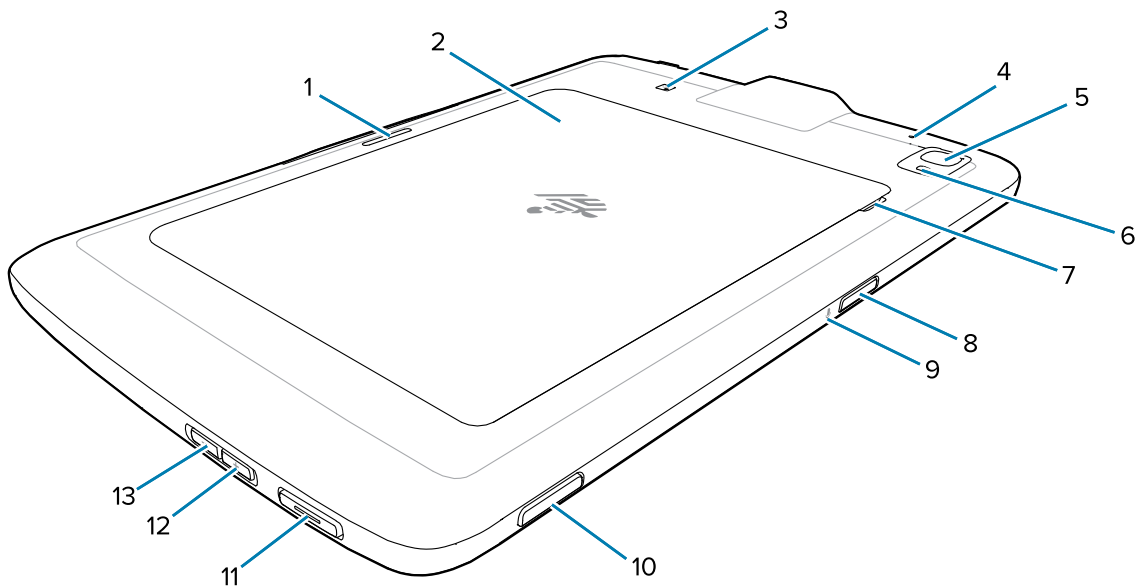


Table 2 Device Rear View

Number	Item	Description
1	Cradle latching slot	Used by cradles to secure the tablet.
2	Battery cover	Provides access to the replaceable battery.
3	NFC antenna position	Use to read NFC cards.
4	Rear Microphone	Use for audio recordings.
5	Rear camera	Autofocus camera that takes photos.

Table 2 Device Rear View (Continued)

Number	Item	Description
6	Rear camera LED flash	Provides illumination for the camera.
7	Battery cover notch	Lift the notched section of the battery cover to remove the battery cover from the tablet.
8	Top scan button	Initiates barcode data capture when a scan-enabled application is active (programmable).
9	Top Microphone	Use for voice communications or audio recordings.
10	Programmable button	Button that is configurable for use with applications.
11	PTT button	Typically used for Push-to-Talk communications. Where regulatory restrictions exist, button is configurable for use with other applications.
12	Volume up button	Increases audio volume.
13	Volume down button	Decreases audio volume.

Setting Up the Device

Set up the device before using it for the first time.

1. Install the nano SIM Card. (ET45 only)
2. Charge the device.
3. Power on the device.

Installing the nano SIM Card

A nano-SIM card slot is available only on ET45 devices. The following steps only apply when installing or replacing a nano SIM card.

1. Ensure the tablet is powered off.



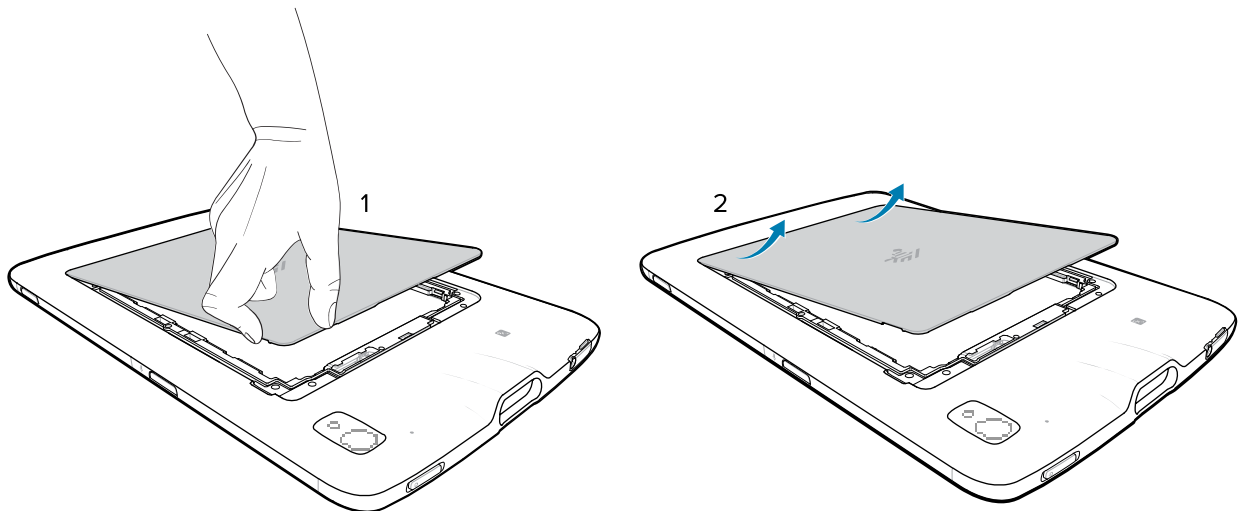
CAUTION: Do not attempt to remove the battery while the tablet is powered on.

- a) Press and hold the Power button until the menu appears.
- b) Touch **Power off**.

2. Lift the corner of the battery cover up (1) from the notched area and carefully remove the battery cover from the device (2) as shown.

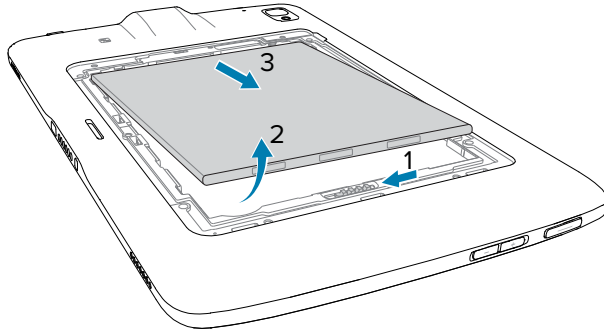


CAUTION: Do not use any tool for battery cover or battery removal. Puncturing the battery or seal may cause a hazardous condition and a potential risk of injury.

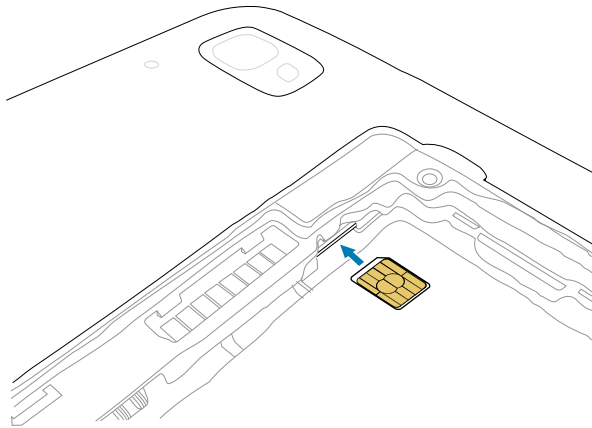


Setting Up the Device

3. Using your fingernail, slide and hold the battery lock switch in the unlock position (1).
4. While the switch is in the unlock position, lift the battery from the notched area (2), rotate the battery up and then remove it from the battery well (3).

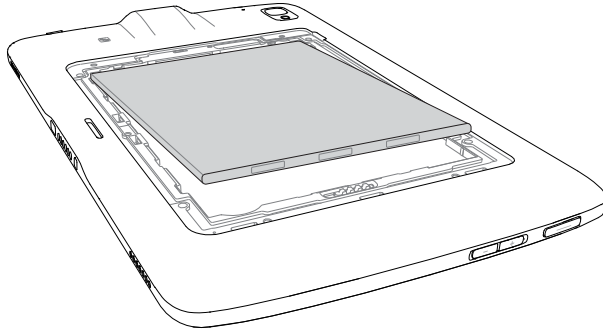


5. After removing the battery from the tablet, release the battery lock switch.
6. If replacing the nano SIM card, remove the existing card.
 - a) Push in the installed SIM card and release.
 - b) The card ejects slightly so that you can remove it.
 - c) Remove the SIM card from the card slot. The card should easily slide out. If not, the SIM card was not ejected correctly. Repeat step A.
7. Insert the nano SIM card with the contacts facing up.

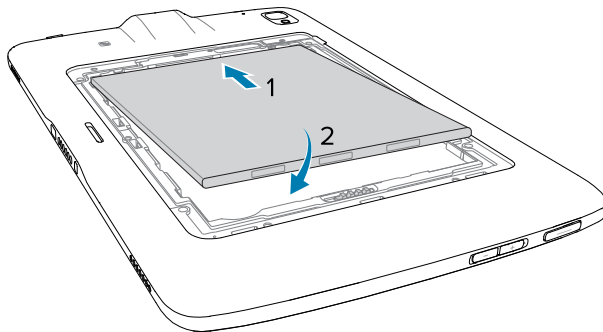


8. Push the SIM card in and ensure that it locks into place.

9. Replace the battery, contacts side first.

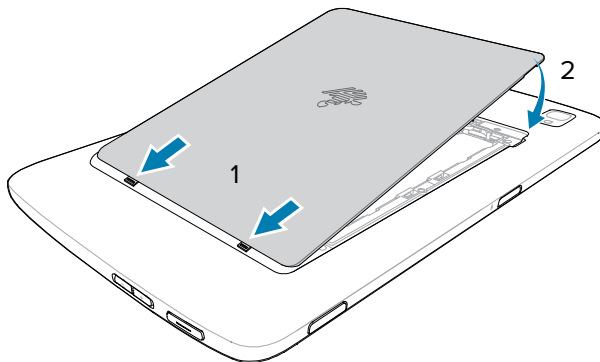


10. Gently push the battery towards the contacts (1) while rotating the battery down into the battery well (2), ensuring it is seated properly.

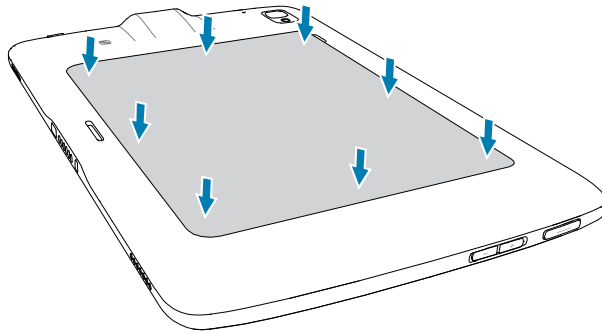


CAUTION: Be aware of the orientation of the battery cover. Failure to replace the battery cover properly may cause damage.

11. Insert the tabbed end of the battery cover into the slots in the battery well (1).
12. Rotate the cover down (2).



- Carefully press down around the edges of the cover. Make sure that the cover is seated properly.



Device Charging

Before using the tablet for the first time, connect it to an external power source. Keep the tablet connected to the external power source until fully charged. The Charging Indicator LED turns green when the tablet is fully charged. You may use the tablet while it is charging.

Charging Accessories

For the optimum charging experience, use a Zebra approved charging accessory.

Charging accessories for the ET40/ET45 include:

- 1-Slot Charge Only Cradle (CRD-ET4X-1SCHRG1-01)
- 4-Slot Charge Only Cradle (CRD-ET4X-4SCHRG1-01)
- USB-C Charging Cable (CBL-TC5X-USBC2A-01)

Charging Indicators

Charge the tablet's battery before using the tablet.

The 8 in. tablet battery charges from fully depleted to 80% in approximately 3 hours.

The 10 in. tablet battery charges from fully depleted to 80% in approximately 4 hours.



NOTE: The Power Pack does not charge when charging the tablet using a USB cable.

Table 3 Charging Indicators

LED	Indication
Off	Device is not in the cradle; not seated properly, or cradle is not powered.
Slow blinking orange (1 blink every 4 seconds)	Device is charging.
Slow blinking red (1 blink every 4 seconds)	Device is charging, but the battery is at the end of useful life.

Table 3 Charging Indicators (Continued)

LED	Indication
Fast blinking orange (2 blinks/second)	Charging error. Possible charging errors include: <ul style="list-style-type: none"> • Temperature is too low or too high. • Charging has gone on too long without completion (typically eight hours).
Fast blinking red (2 blinks/second)	Charging error and the battery is at the end of useful life. Possible charging errors include: <ul style="list-style-type: none"> • Temperature is too low or too high. • Charging has gone on too long without completion (typically eight hours).
Solid Green	Charging complete.
Solid Red	Charging is complete, but the battery is at the end of useful life.

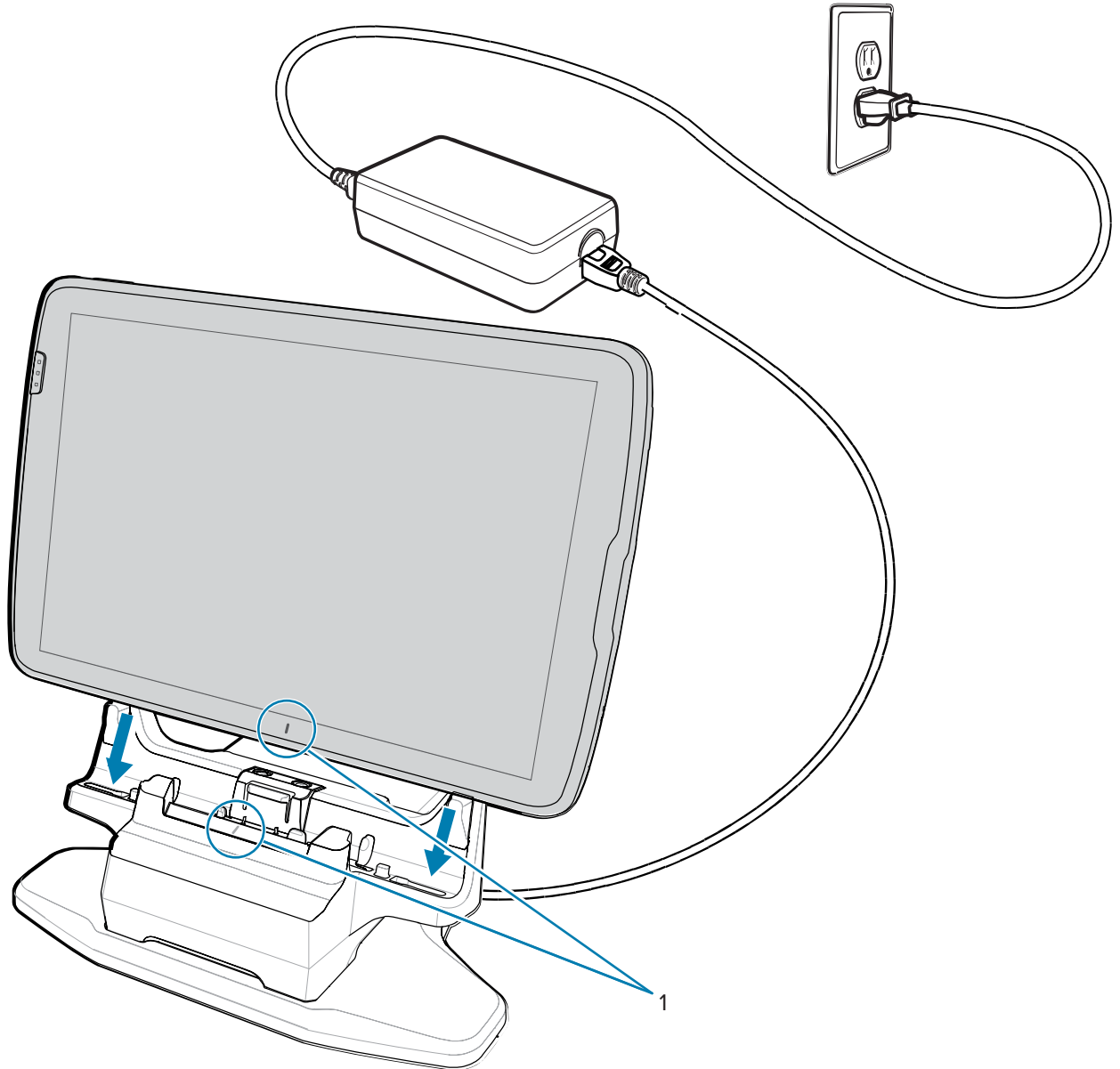
Charging Temperature

Charge batteries in ambient temperatures from 0°C to +40°C (32°F to 104°F) as reported by the battery. Charging is intelligently controlled by the charger. To accomplish this, for small periods of time, the charger alternately enables and disables battery charging to keep the battery at acceptable temperatures.

Charging Using a 1-Slot Cradle

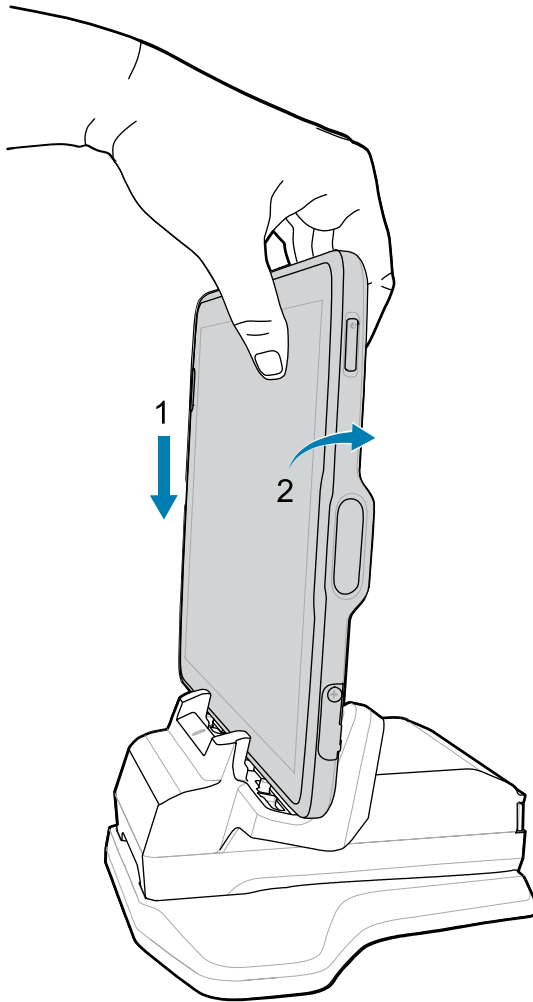
This section describes how to charge the device using an ET40/ET45 1-Slot Cradle.

1. Align the device with the alignment marks (1) on the cradle.



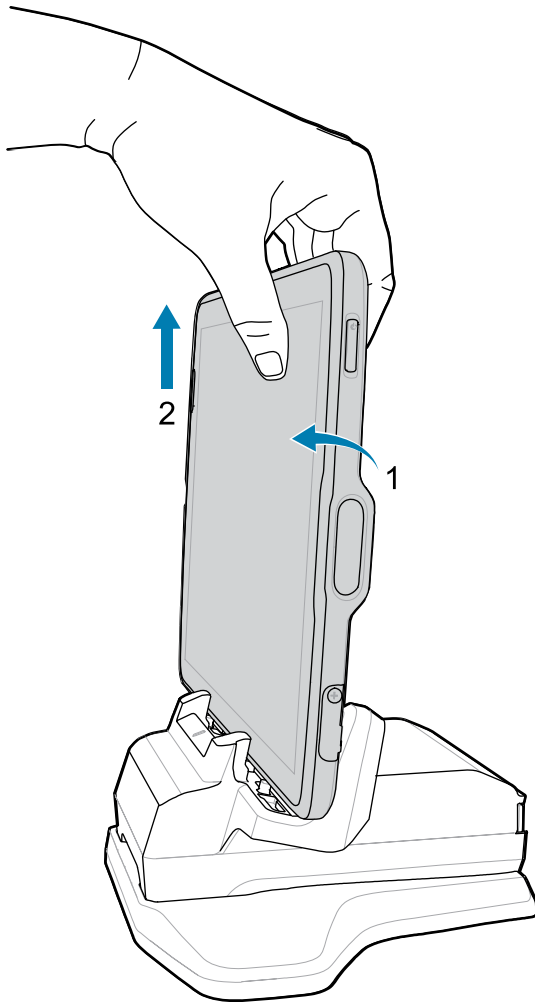
NOTE: When using a tablet with an installed Power Pack, the user must press the Power Pack's Charge Indicator button to initiate charging the tablet and Power Pack.

2. Insert the device into the cradle (1) and rotate it backward (2) until it clicks.



The device is locked in the cradle, and the device Charging LED indicates charging.

3. To remove the device from the cradle, rotate the device forward slightly (1) and lift it out of the cradle (2).

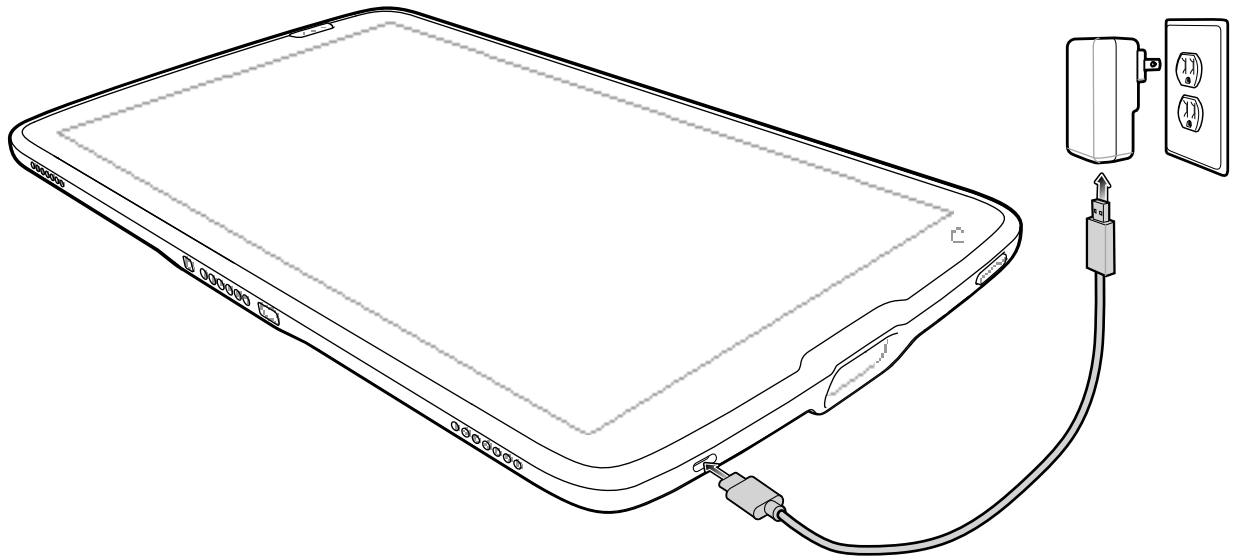


Charging Using the USB Cable

The USB cable plugs into the bottom of the device. When attached to the device the cable allows charging, transferring data to a host computer, and connecting USB peripherals.

1. Connect the USB cable to the device.
2. Connect the USB connector of the power supply.

3. Plug to power supply into an power outlet.



Powering on the Device

Press and hold the Power button until the menu appears.

1-Slot Charge Only Cradle

Use a 1-Slot Charge Only cradle to charge one 8" or 10" tablet.

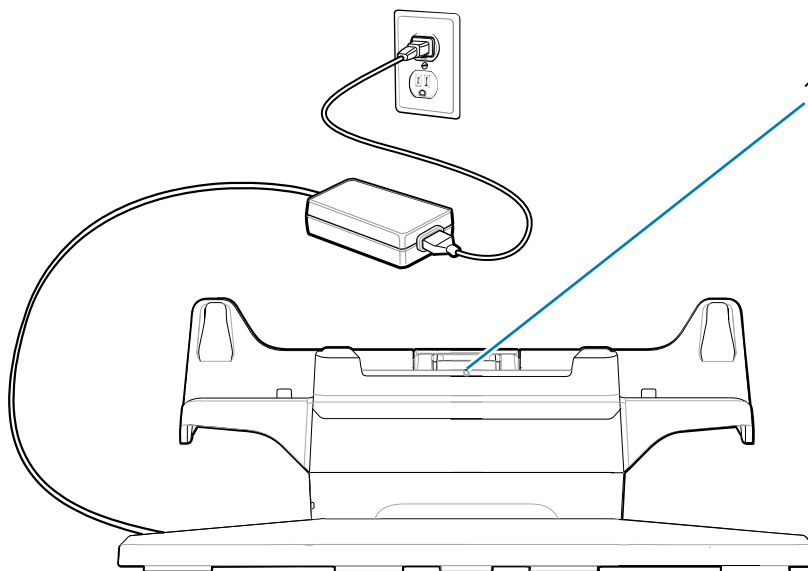


CAUTION: Ensure that you follow the guidelines for battery safety described in the ET40/ET45 Product Reference Guide.

The 1-Slot Charge Only Cradle:

- Provides power for operating the device.
- Charges the device's battery and optional Power Pack installed in an Expansion Back.

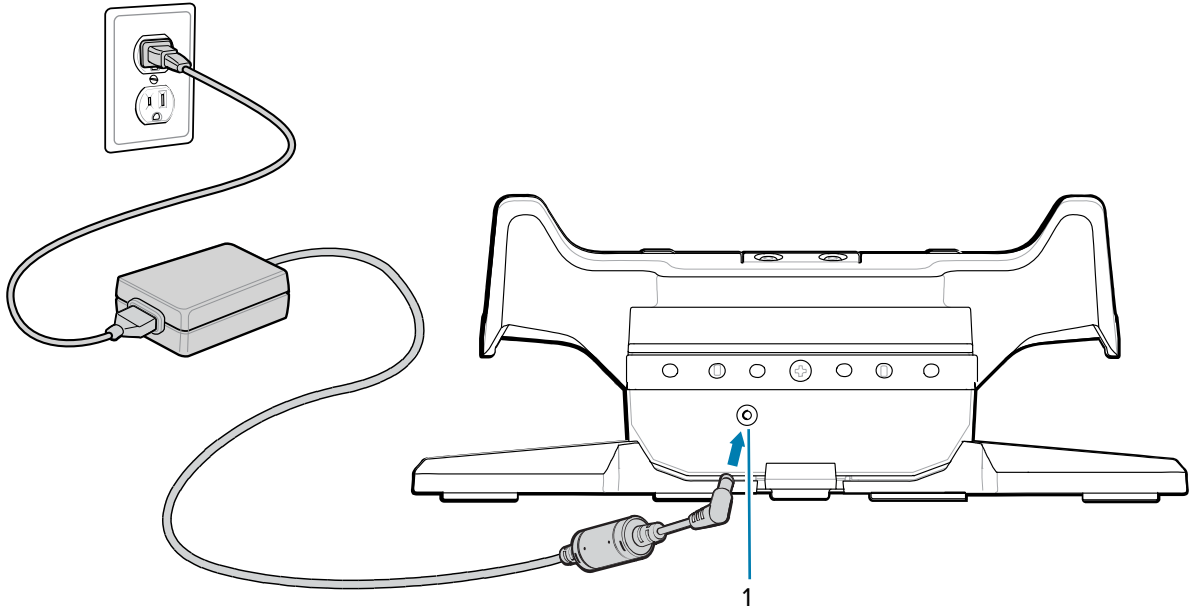
Figure 3 1-Slot Charge Only Cradle - Front View



Number	Item	Description
1	Cradle alignment indicator	Use to assist in aligning the cradle with the tablet.

1-Slot Charge Only Cradle

Figure 4 1-Slot Charge Only Cradle - Rear View



Number	Item	Description
1	AC power input	Use to connect AC power to the cradle.

4-Slot Charge Only Cradle

Use the 4-Slot Charge Only Cradle to charge up to four 8" or 10" tablets and up to four Power Packs.

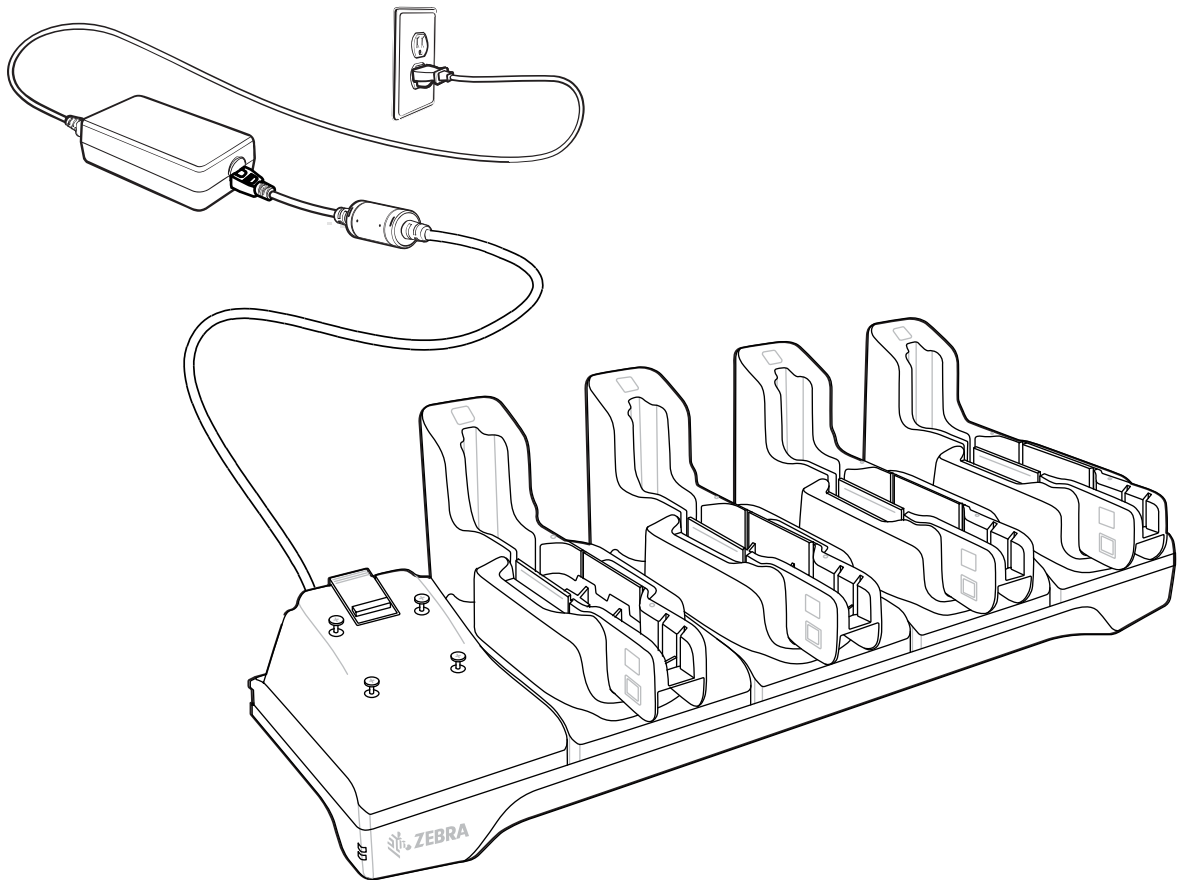


CAUTION: Ensure that you follow the guidelines for battery safety described in the ET40/ET45 Product Reference Guide.

The 4-Slot Charge Only Cradle:

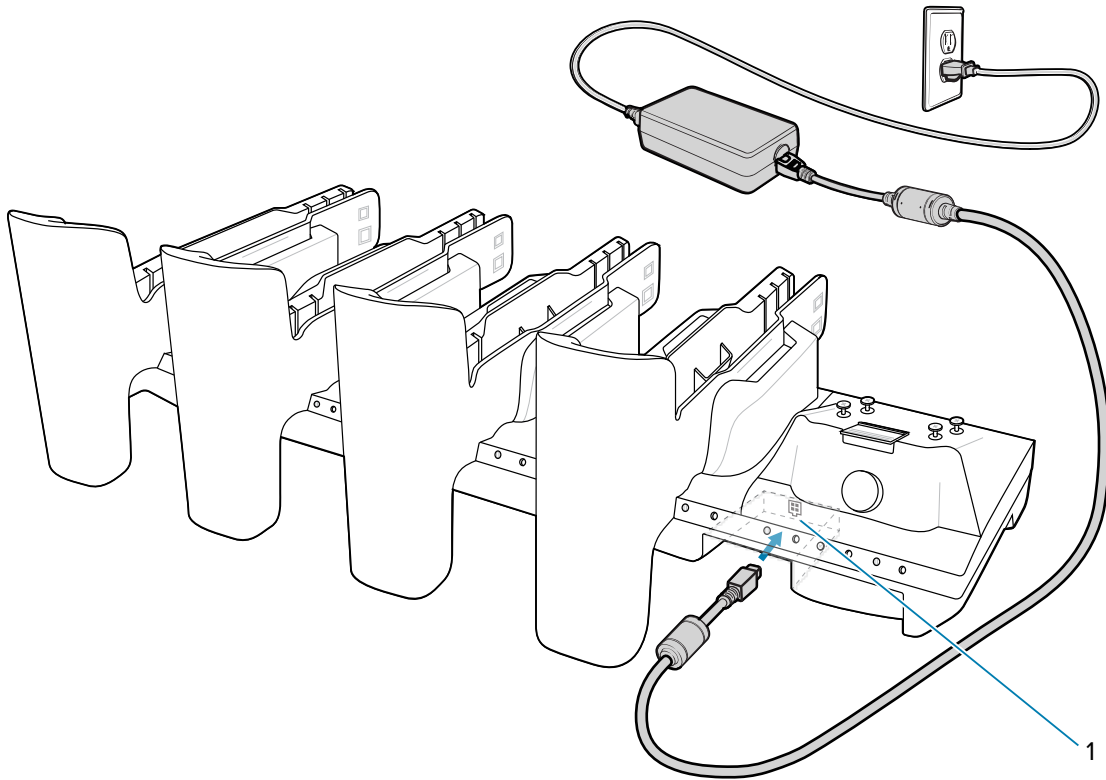
- Provides power for operating the device.
- Simultaneously charges up to four devices and up to four Power Packs using the optional Battery Charger Adapter.

Figure 5 4-Slot Charge Only Cradle - Front View



4-Slot Charge Only Cradle

Figure 6 4-Slot Charge Only Cradle - Rear View



Number	Item	Description
1	Power input	Use to connect power to the cradle.

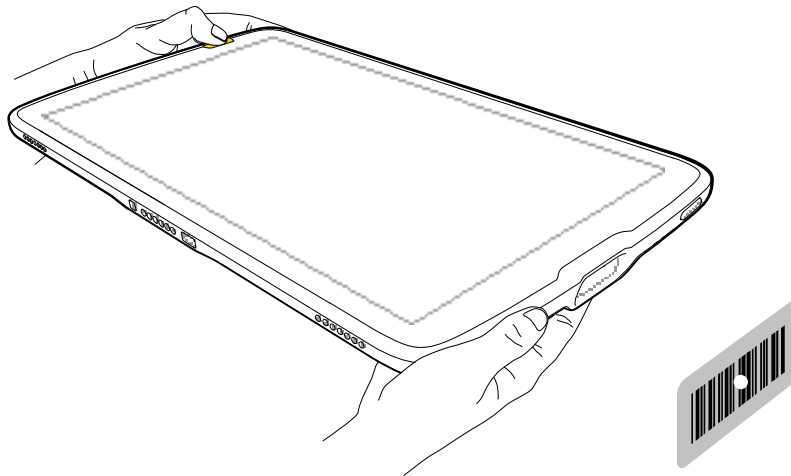
Scanning with an Internal Scanner

Use the internal scanner to capture barcode data.



NOTE: To read a barcode, a scan-enabled app is required. The device contains the DataWedge app that allows the user to enable the scanner to decode barcode data and display the barcode content.

1. Ensure that an app is open on the device and a text field is in focus (text cursor in the text field).
2. Point the exit window of the device at a barcode.



3. Press and hold one of the scan buttons.

The aiming dot with illumination turns on to assist in aiming.



NOTE: When the device is in Pick List Mode, the device does not decode the barcode until the center of the aiming dot touches the barcode.

4. Ensure the barcode is within the area formed by the aiming pattern. The aiming dot is used for increased visibility in bright lighting conditions.

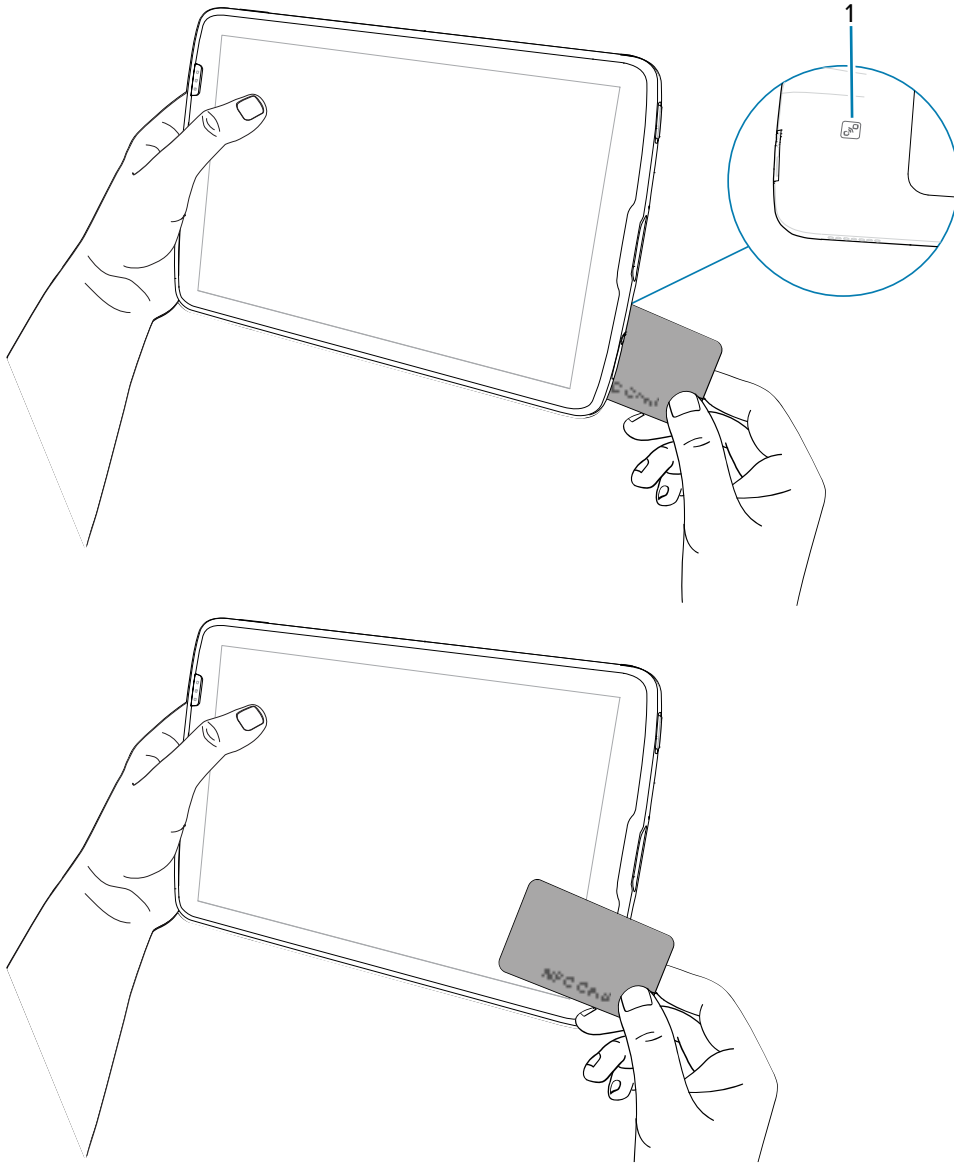
The Data Capture LED lights green and a beep sounds, by default, to indicate the barcode was decoded successfully.

Reading NFC Cards

Read contactless cards using NFC.

1. Launch an NFC enabled application.
2. Hold device as shown.

3. Align the card with the NFC antenna (1) on the back of the device.



The tablet can read NFC cards from the front or back of the device.

4. Hold the card steadily until the transaction is complete (usually indicated by the application).

