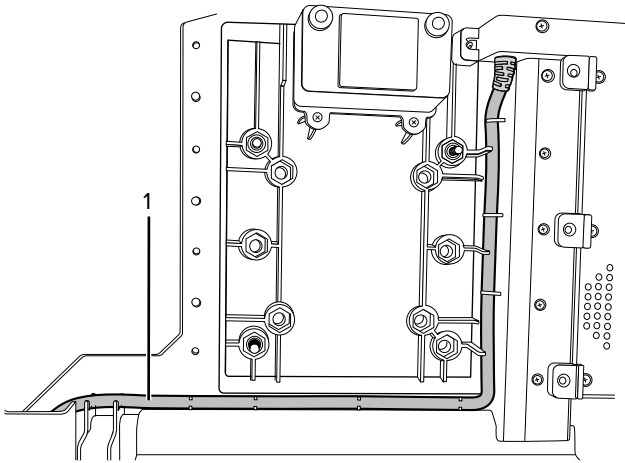
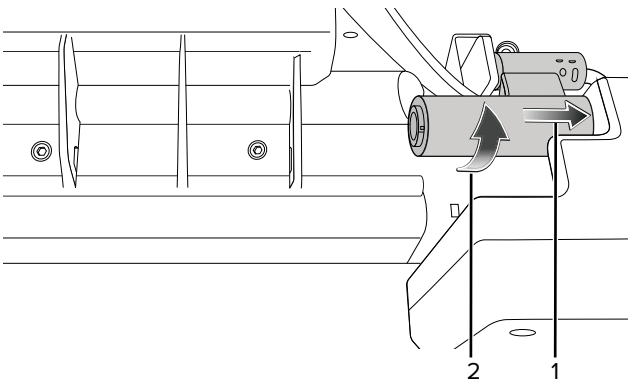


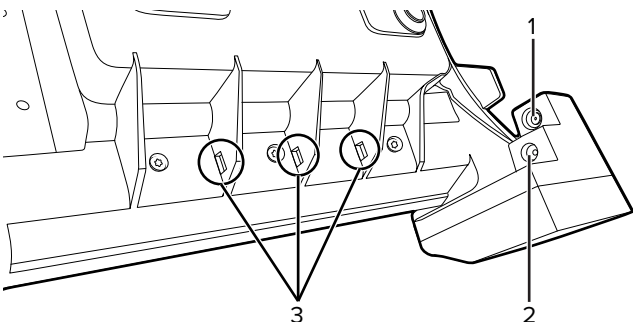
2. Install the four screws.
3. Route the fan cable (1) down the front of the dock using the cable retention clips as shown.



4. If not using the PEM:
 - a. Plug the fan cable into the power out port (1).
 - b. Rotate the fan plug up (2) as shown to prevent it from coming loose.

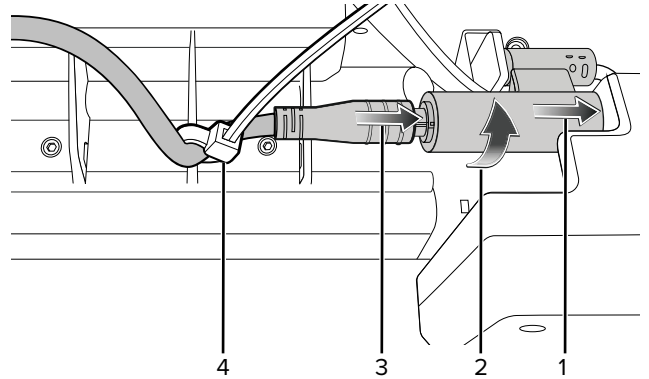


5. If using the PEM:
 - a. Unplug the port expansion cable from the power out port (1) on the dock.



1	Power out
2	DC IN 12-14 VDC
3	Cable tie slots

- b. Plug the fan cable into the power out port (1).
- c. Rotate the fan plug up (2) as shown to prevent it from coming loose.
- d. Plug the PEM cable (3) into the fan cable.
- e. Secure the PEM cable to the indicated cable tie slot using the provided cable tie (4).



6. Route the cable around to the back of the dock as shown. A space is provided for the excess cable.

