

Dual Bay Battery Charger For iX Series Battery Packs



This document assists you with the basic understanding and use of the iX Dual Bay Battery Charger for charging and reconditioning iX series battery packs.

The iX Dual Bay Battery Charger provides charging and recalibration functions for up to two (2) of the iX104 Li-Polymer Battery packs.

Features:

Two Bays of Battery charging

The Charger provides two charging bays that charge sequentially. The first battery inserted gets charged first.

One Bay of Battery Recalibration

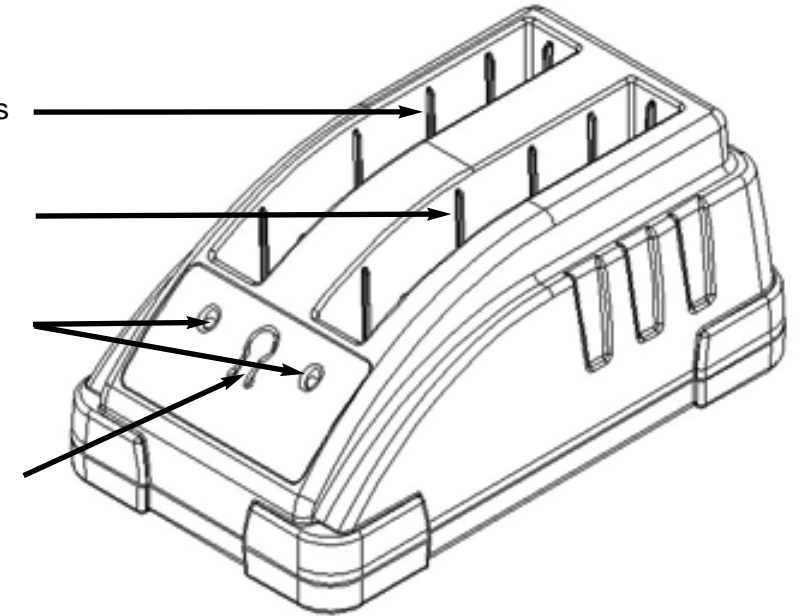
The left bay of the Charger provides battery recalibration with push button activation.

The recalibration algorithm is a full charge followed by a full discharge followed by a final full charge.

NOTE: Recalibration does not affect battery chemistry, but resynchronizes the SMBus fuel gauge chip with the state of charge of the physical cells.

Equipment Overview:

- Slot 1** - this slot performs two functions - charging and recalibration. See instructions below for use.
- Slot 2** - this slot performs charging functions only
- LED Indicators** - provide status of the unit (see LED indicator table below for complete description).
- Control Button** - change from charge to calibration mode



Status Indicators

One Tri-Color LED will provide status indication for each charging or charge/recalibrate bay. The color codes are as follows:

LED Color	Description
OFF:	no battery detected
Green Flash:	Fast Charging
Green Solid:	Fully Charged
Yellow Flash:	Recalibrating
Yellow/Green:	Recalibrated
Yellow Solid:	Standby (waiting for other bay to complete)
Red Flash:	Error

Battery Storage

Batteries can be continuously stored in the Charger. The Charger ensures that batteries are always ready for use. This functionality is provided by the battery SMBus chip which will shut off charging when full, then turn on charging again after the chip detects a pre-set amount of battery self discharge.

Specifications

Property	Description
Material	Black ABS GSM
Dimensions:	9.23 L x 5.10 W x 4.00 H
Input Connector:	2.5mm Center Positive
Max. Input Voltage:	30 VDC
Min. Input Voltage:	2 VDC
Temperature:	0 Deg C to 50 Deg C

Instructions for Charger Functions

Charging:

Simply place one (1) or two (2) iX batteries into either slot. NOTE: The slots are keyed so you can only place the battery into the slot in the correct orientations. The first battery in will start to charge immediately. The second battery will remain on hold until the 1st battery has completed its charge cycle.

Recalibrating:

Place an iX battery pack into Slot 1 (the left bay) and press the conditioning button.

Support

For assistance or support in using your Dual Bay Battery Charger please contact your help desk, Value Added Reseller or Xplore. Support numbers are listed in your User's Handbook.

Xplore and the Xplore logo are registered trademarks of Xplore Technologies Corp.; iX104, iX104R, iX104RD, iX104T, and iX104TD are trademarks of Xplore Technologies Corp. All other brands, product names, company names, trademarks and service marks used herein are property of their respective companies. Copyright © 2003-2004 Xplore Technologies Corp. All rights reserved. No part of this publication may be copied, reproduced, or translated, without the prior written consent of Xplore Technologies. No part of this publication may be stored or transmitted in any electronic form without the prior consent of Xplore Technologies. Any unauthorized use is a violation of copyright laws. PN: 95-01025 Edition: First, January 2004 Xplore Technologies Corp. • 14000 Summit Drive, Suite 900, Austin, Texas 78728