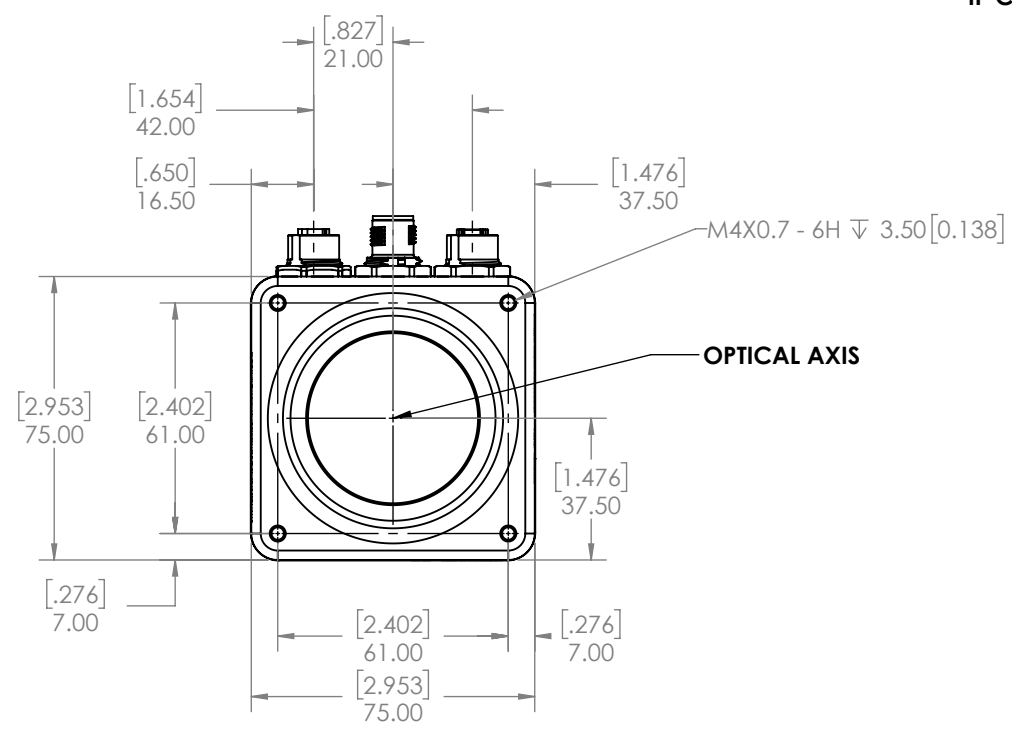
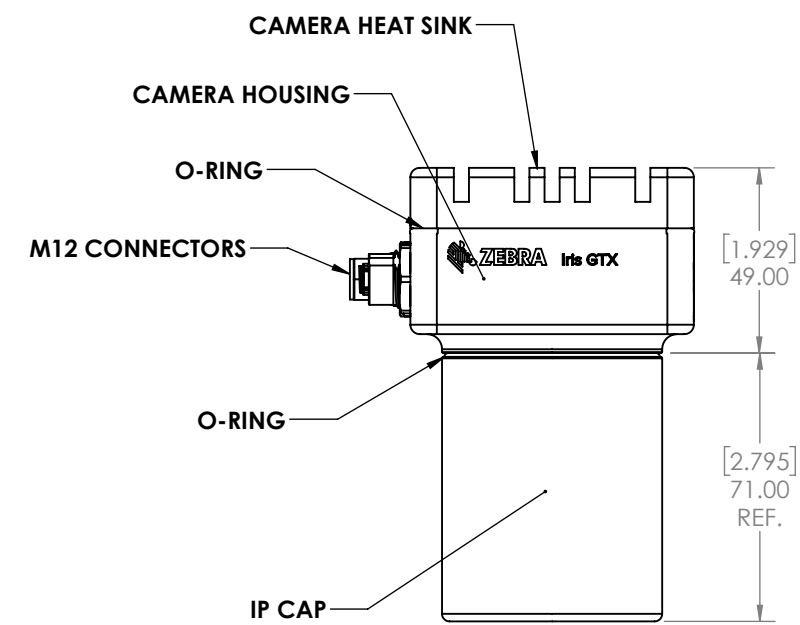
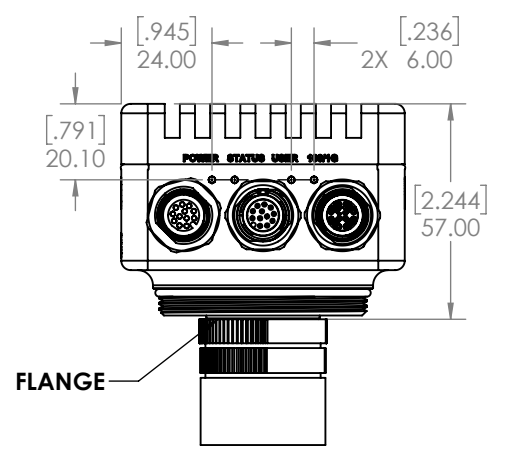
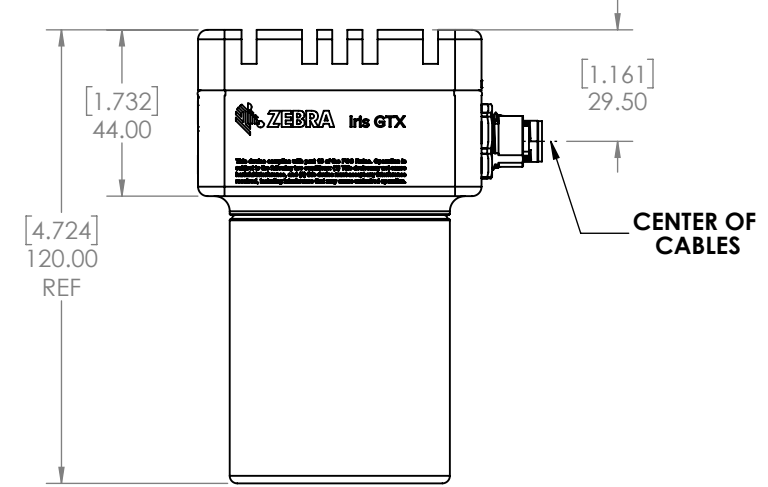
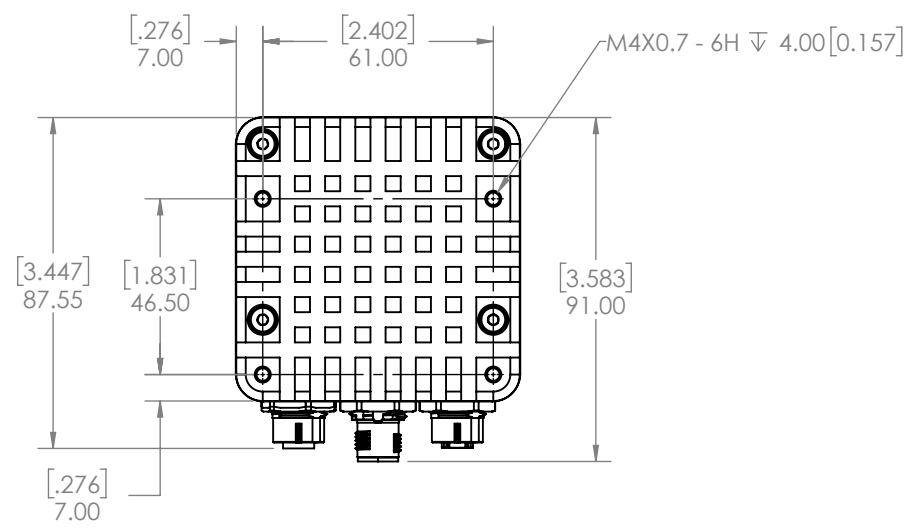


8 7 6 5 4 3 2 1

SEE MATROX SPEC No SM003 FOR MORE INFORMATION

REVISIONS

REV.	DESCRIPTION	D.O.	CHECKED BY	APPROVED	DATE
P-2	PRELIMINARY	JFR	AB		09/07/2023



QUANTITY	ITEM	DESCRIPTION	MANUFACTURERS / PART No	NOTES
	2			
	1			
TOLERANCES UNLESS OTHERWISE SPECIFIED		GROUP	THIRD ANGLE PROJECTION	
DIMENSIONS ARE IN : MILLIMETERS [X] INCHES		IMAGING		
.X	.XX	.XXX	PROJECT	Iris GTX
±	±	±	FILENAME	Iris_4 TLA-02.SLRDRW
BREAK SHARPS EDGE		BENDS	DRAWN BY	JF Renaud
0.38		0.79R	CHECKED BY	AB
MATERIAL		SIZE	DATE	09/07/2023
FINISH		SCALE	1:2	
TITLE			Top Level Iris GTX Camera Assy. XXXX-XX	
DRAWING NO.			REV	SHEET
XXXX-05-XX			P-2	1 OF 1

8 7 6 5 4 3 2 1

D  
C  
B  
A

D  
C  
B  
A