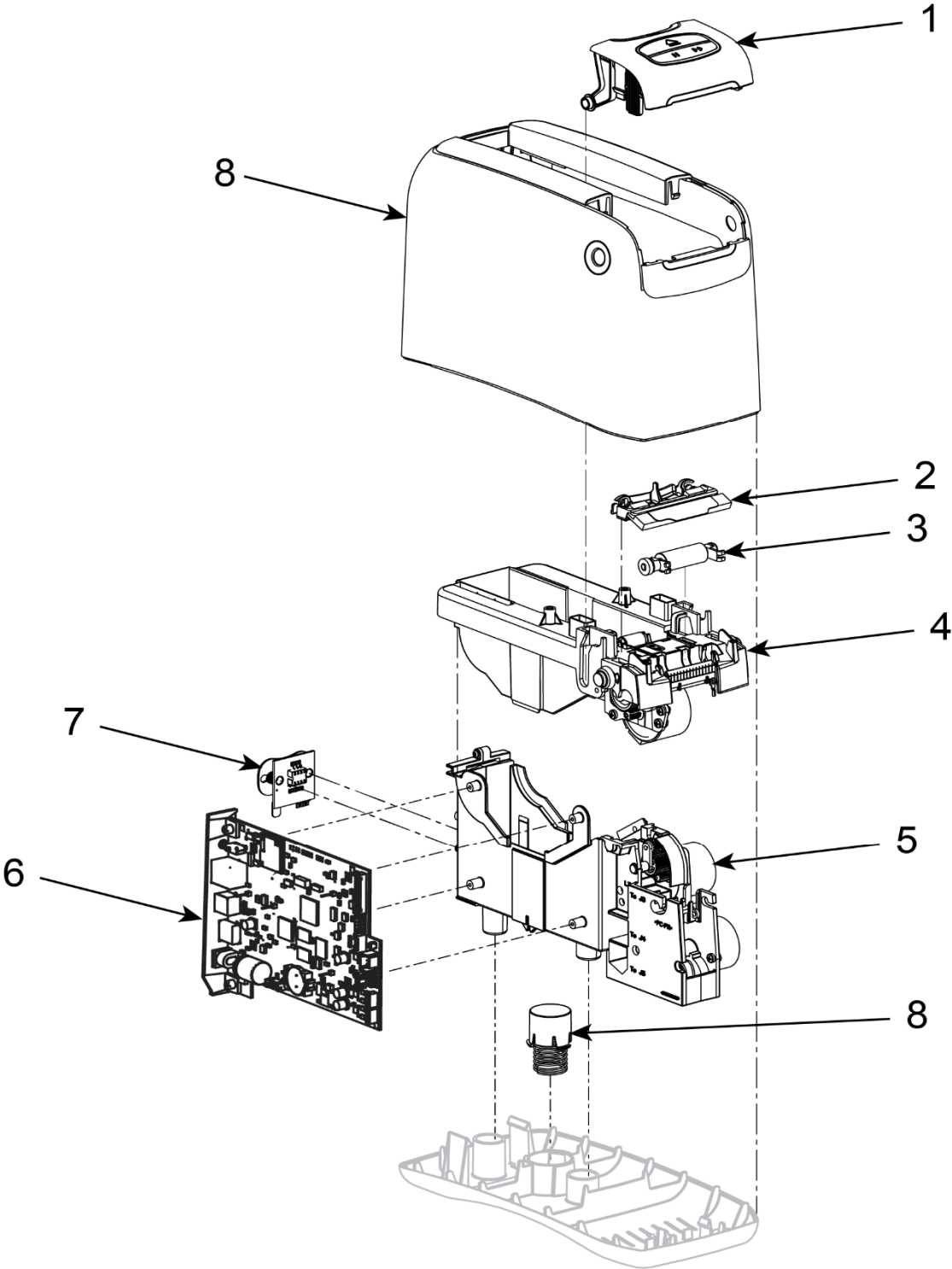


ZD510



## ZD510

Item	Description	Part Number
1	Cover for the Upper Print Mechanism	P1100266-001
2	Printhead Assembly	P1100266-003
3	Platen Roller	P1100266-008
4	Print Mechanism Chassis	P1100266-002
5	Main Frame Assembly	P1100266-009
6	Main Logic Board with USB, USB Host, Ethernet, Bluetooth	P1100266-004
	Main Logic Board with USB, USB Host, Ethernet, Bluetooth, 802.11 Wi-Fi, Region 1, USA & Canada	P1100266-005R1
	Main Logic Board with USB, USB Host, Ethernet, Bluetooth, 802.11 Wi-Fi, Region 2, All countries except USA, Canada and Japan	P1100266-005R2
	Main Logic Board with USB, USB Host, Ethernet, Bluetooth, 802.11 Wi-Fi, Region 3, Japan	P1100266-005R3
7	Smart Card Reader with Cable	P1100266-006
8	Outer Enclosure and Trim	P1100266-007
Not Shown	Cleaning Card (QTY 10)	61332M
	Packaging Detail (Shipping Pack)	P1007957
	Power Supply, 24V 70W w/o Cord	P1086845-001
	Power Supply, 24V 70W with US Cord	P1079903-030
	Power Supply, 24V 70W with UK & Euro Cords	P1086845-002
	Power Supply, 24V 70W with Australia Cord	P1086845-003
	Power Supply, 24V 70W Taiwan Cord	P1086845-004
	Power Supply, 24V 70W Japan Cord	P1086845-005
	Power Supply, 24V 70W China Cord	P1086845-006